



LEDALITE

Installation Documentation

ID-P1

P1 PENDANT MOUNT Support Connection at Ceiling

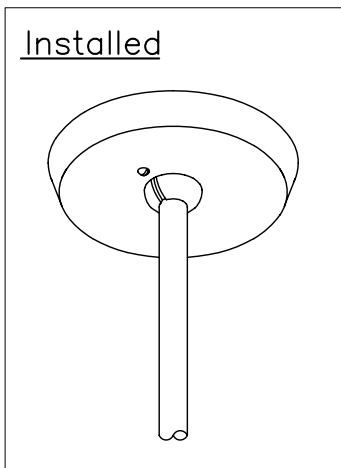
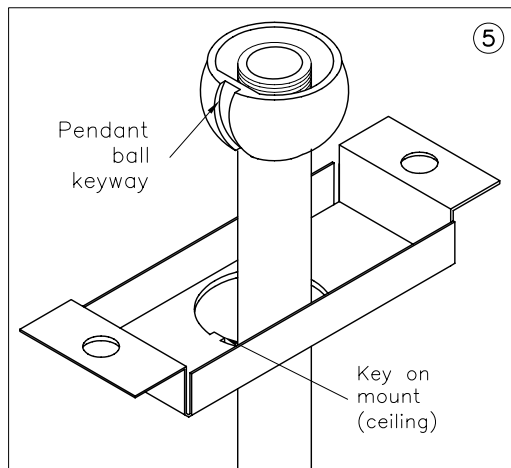
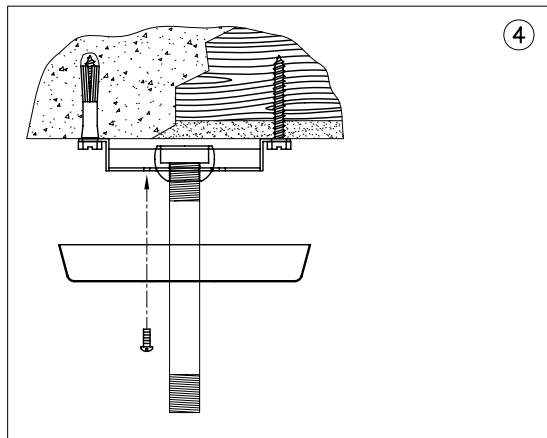
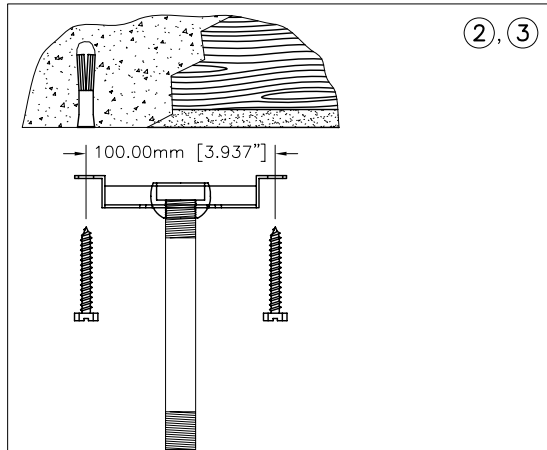
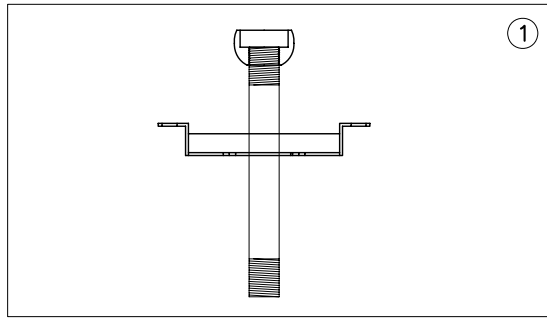
Instructions included with this package:

Document	Description
P1-AP0	P1 Pendant Mounting Installation without Power
P1-AP1,2	P1 Pendant Mounting Installation with Power
P1-AEQ	P1 Pendant Mounting Seismic Upgrade

PLEASE RETAIN PACKAGE FOR FUTURE REFERENCE



These Installation Instructions cover non-seismic mounting requirements – UBC and California Seismic Zone 1.0. For Seismic requirements greater than Zone 1.0 use P1-AEQ "P1 Seismic Upgrade" Installation Instructions in addition to these instructions.



Installation Instructions

- Mount Installation**
- ① Thread pendant pipe into pendant ball and insert into pendant crossbar plate.
 - ② Select appropriate fasteners, which will support a load of 750 lbs. each.
 - ③ Secure pendant crossbar plate, using fasteners, to location specified on application drawings. (see layout drawings)
Note: If Safety Cable is to be installed, for seismic requirements, see P1 Seismic Upgrade P1-AEQ Installation Instructions.
 - ④ Slide canopy over pendant pipe, align the mounting hole in canopy with pendant.
- 1 Seismic Upgrade P1-AEQ Installation Instructions)
- Fixture Attachment**
- ⑤ Support fixture sections just above the installed level. Thread free end of pendant pipe into fixture pendant ball by lifting pendant pipe up to disengage key lock in the ceiling level pendant mount. Re-align the pendant ball keyway with the key at both the ceiling and fixture levels. Then carefully lower fixture until supported by the pendant pipe.
Note: If Safety Cable is to be installed, for seismic requirements, leave fixture sections supported, where possible, until after cable is installed. (see P1 Seismic Upgrade P1-AEQ Installation Instructions)

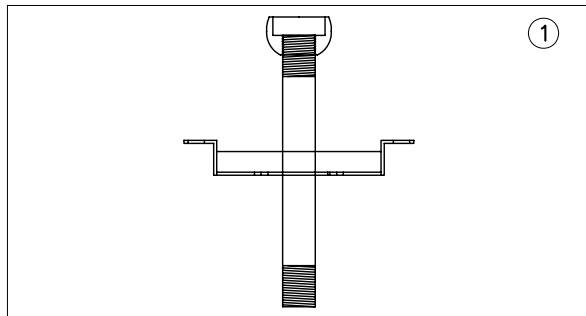
ATTENTION
INSTALL IN ACCORDANCE TO NATIONAL AND LOCAL ELECTRICAL CODES AND BUILDING CODES.

ATTENTION
REFER TO ASSOCIATED INSTALLATION INSTRUCTIONS TO COMPLETE INSTALLATION (EG. LEVELING, JOINING, POWERED AND NON POWERED MOUNTS.)

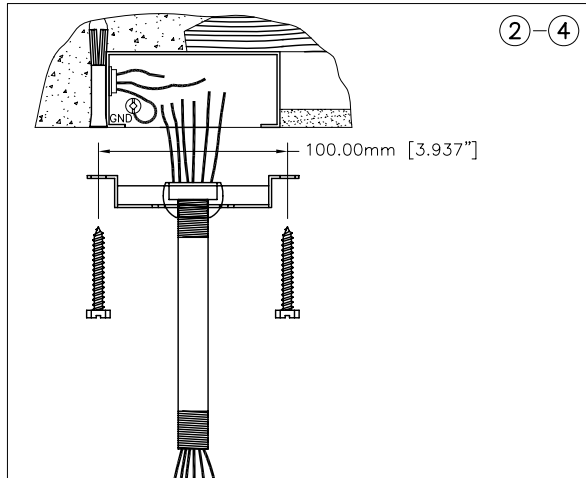
These Installation Instructions cover non-seismic mounting requirements – UBC and California Seismic Zone 1.0. For Seismic requirements greater than Zone 1.0 use P1-AEQ "P1 Seismic Upgrade" Installation Instructions in addition to these instructions.

Reference drawing No. 300zp10

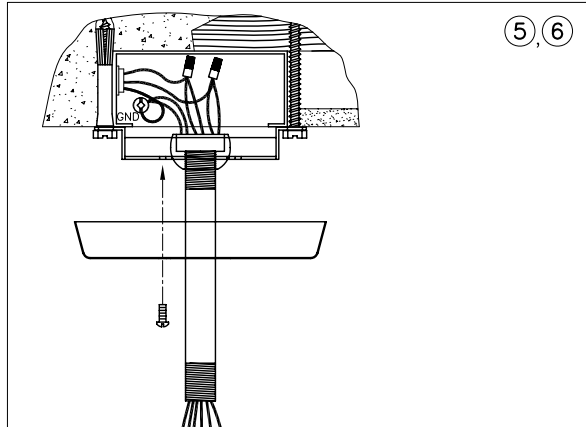
Installation Instructions



①



②-④



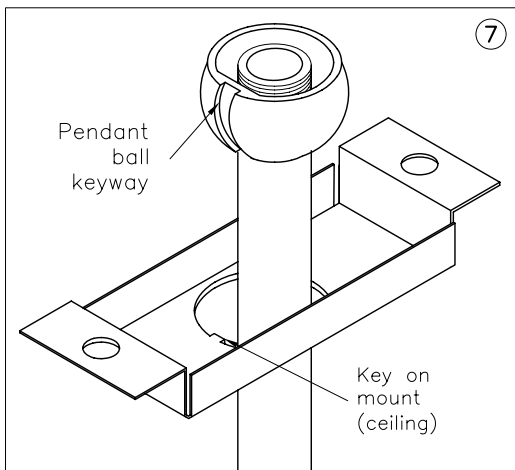
⑤, ⑥

Mount Installation

- ① Thread pendant pipe into pendant ball and insert into pendant crossbar.
- ② Select appropriate fasteners, which will support a load of 750 lbs. each.
- ③ Feed required electrical wire (contractor supplied) through pendant pipe.
- ④ Secure pendant crossbar plate, using fasteners, to location specified on application drawings. (see layout drawings)
Note: If Safety Cable is to be installed, for seismic requirements, see P1 Seismic Upgrade P1-AEQ Installation Instructions.
- ⑤ Make required electrical connections at mount location.
- ⑥ Slide canopy over pendant pipe, align the mounting hole in canopy with pendant crossbar plate. Use a #6 x 3/8 in. screw (provided) to secure canopy to mounting plate.
Note: If Safety Cable is to be installed, for seismic requirements, removal of the canopy will be necessary once the fixtures are suspended. (see P1 Seismic Upgrade P1-AEQ Installation Instructions)

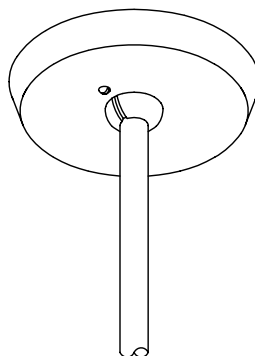
Fixture Attachment

- ⑦ Support fixture sections just above the installed level. Thread free end of pendant pipe into fixture pendant ball by lifting pendant pipe up to disengage key lock in the ceiling level pendant mount. Re-align the pendant ball keyway with the key at both the ceiling and fixture levels. Then carefully lower fixture until supported by the pendant pipe.
Note: If Safety Cable is to be installed, for seismic requirements, leave fixture sections supported, where possible, until after cable is installed. (see P1 Seismic Upgrade P1-AEQ Installation Instructions)
- ⑧ Electrical connections in fixture can now be completed.



⑦

Installed



ATTENTION

INSTALL IN ACCORDANCE TO NATIONAL AND LOCAL ELECTRICAL CODES AND BUILDING CODES.

ATTENTION

REFER TO ASSOCIATED INSTALLATION INSTRUCTIONS TO COMPLETE INSTALLATION (EG. LEVELING, JOINING, POWERED AND NON POWERED MOUNTS.)

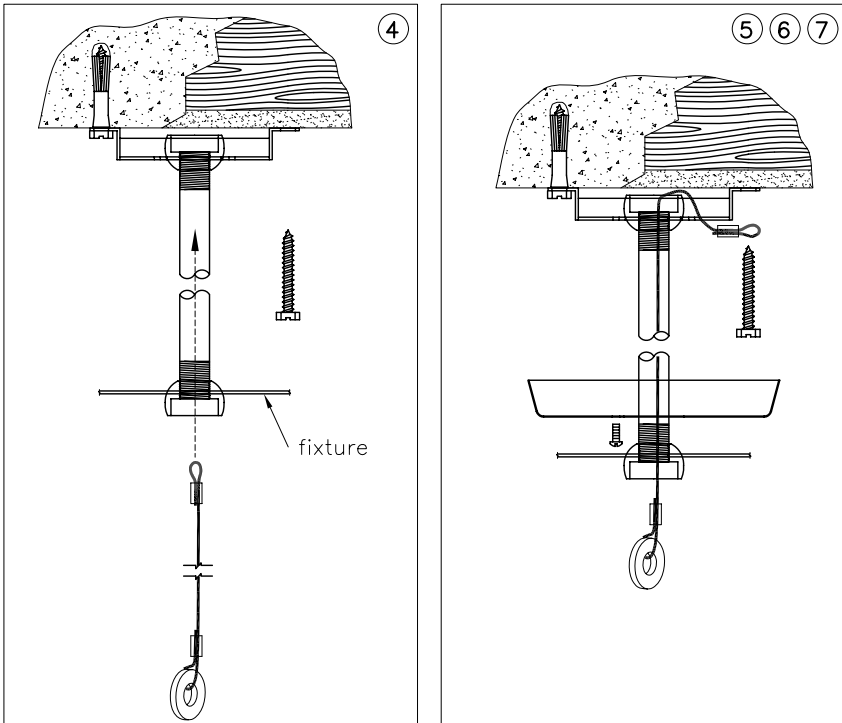
ATTENTION:

C.S.A./ U.L. REQUIREMENTS FORBID SUSPENSION OF FIXTURE FROM J-BOX. FIXTURE MOUNTING HARDWARE MUST BE SECURELY MOUNTED TO SUPPORT STRUCTURE.

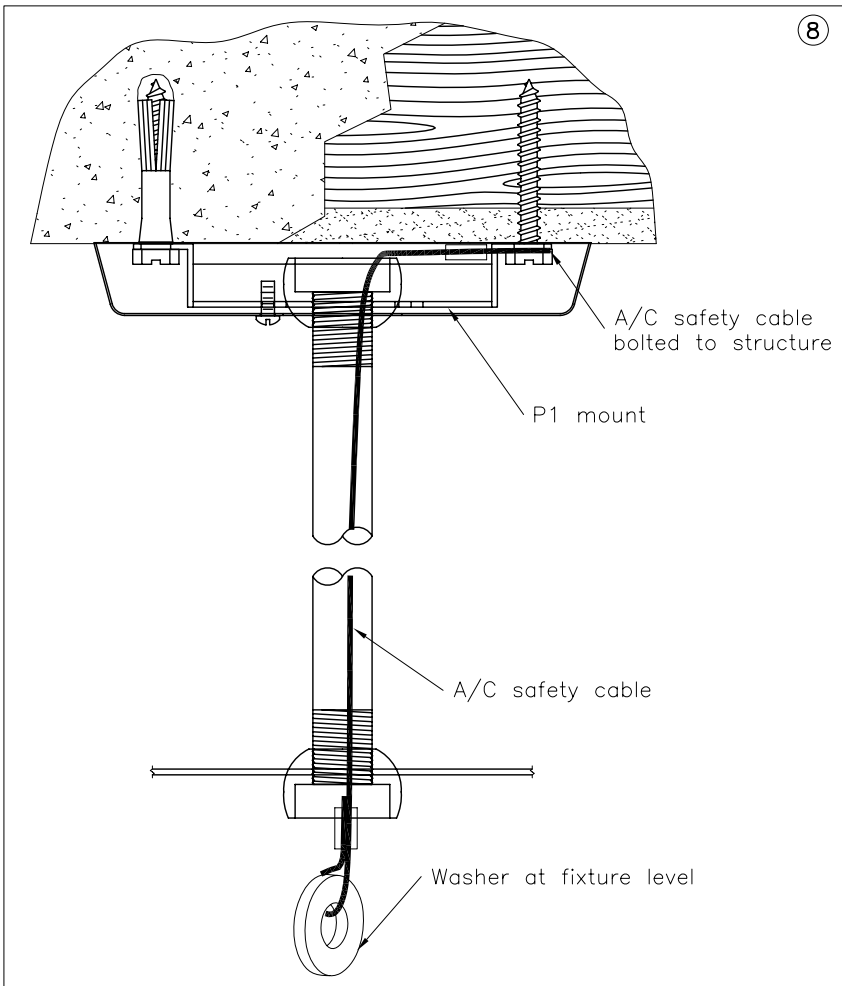
These Installation Instructions cover mounting requirements above Seismic Zone 1.0. But must be used in conjunction with standard Non-Power Mount/Non-Seismic or Power Mount/Non-Seismic Installation Instructions, which ever is applicable.

Reference drawing No. 300zq11

Installation Instructions



- ① Install mount components in accordance with P1-AP0,1,2 Installation Instructions leaving enough of a gap between the top of the pendant crossbar plate and the structure to allow the safety cable to be pulled through freely.
- ② Attach fixture in accordance with P1-AP0,1,2 and leave supported until step ⑧
- ③ If canopy is secured, remove screw and drop canopy down to fixture level.
- ④ Feed non-washer end of safety cable up through fixture end of pendant pipe to ceiling.
- ⑤ Pull safety cable outside of pendant crossbar plate.
- ⑥ Support fixture sections and remove one of the mounting bolts from the crossbar pendant or use a third fastener to attach the safety cable to the structure.
- ⑦ Pass bolt through loop in safety cable and re-tighten bolt to structure.
- ⑧ Tighten other mounting bolt to structure and re-attach canopy with screw provided. Carefully lower fixture until supported by pendant pipe.



ATTENTION
INSTALL IN ACCORDANCE TO NATIONAL AND LOCAL ELECTRICAL CODES AND BUILDING CODES.

ATTENTION
REFER TO ASSOCIATED INSTALLATION INSTRUCTIONS TO COMPLETE INSTALLATION (EG. LEVELING, JOINING, POWERED AND NON POWERED MOUNTS.)



LEDALITE

Installation Documentation

ID-P2

P2 PENDANT MOUNT Support Connection Above Ceiling

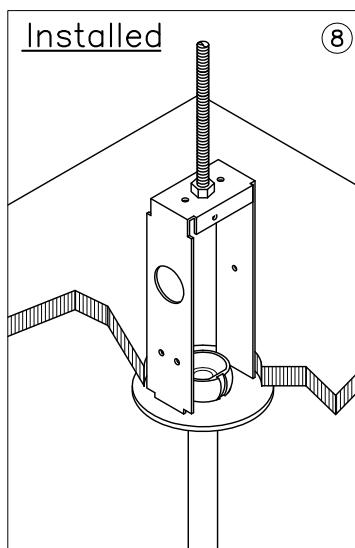
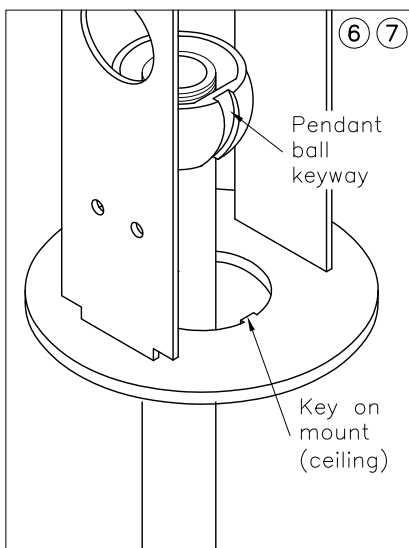
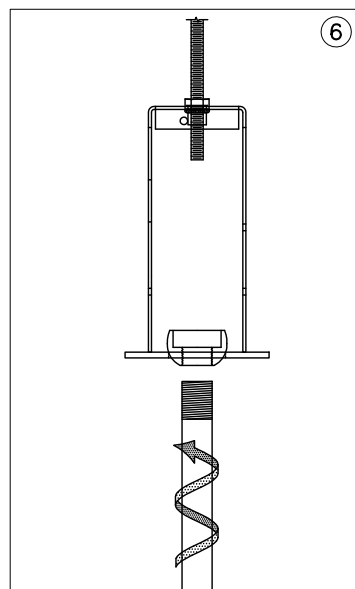
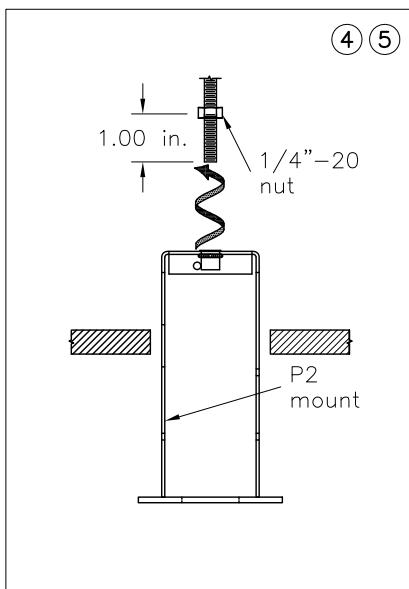
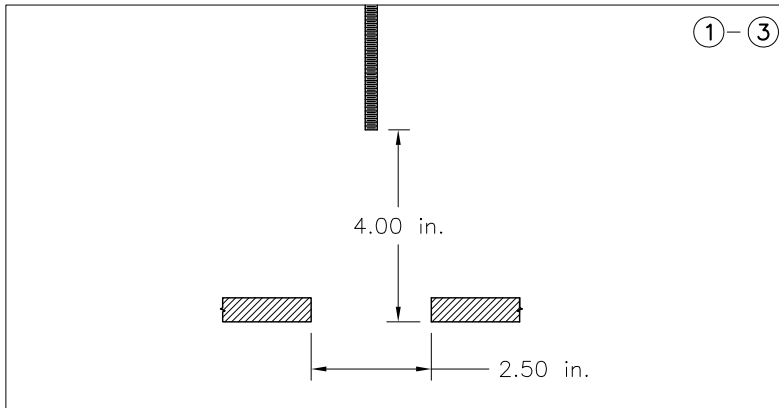
Instructions included with this package:

Document	Description
P2-AP0	P2 Pendant Mounting Installation without Power
P2-AP1,2	P2 Pendant Mounting Installation with Power

PLEASE RETAIN PACKAGE FOR FUTURE REFERENCE



These Installation Instructions cover non-seismic mounting requirements.



Installation Instructions

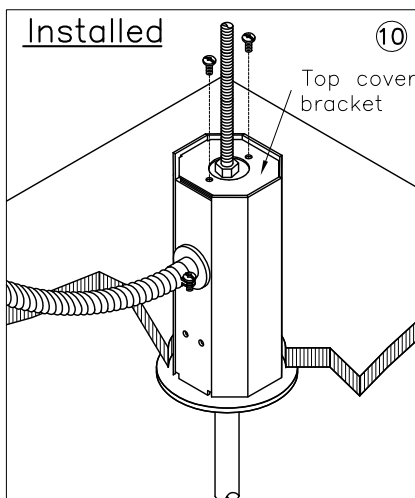
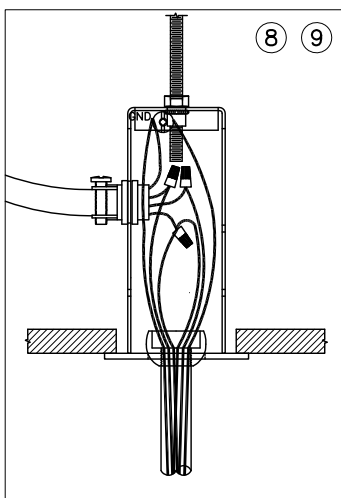
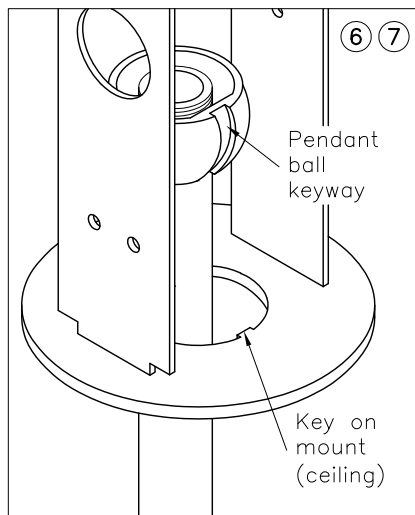
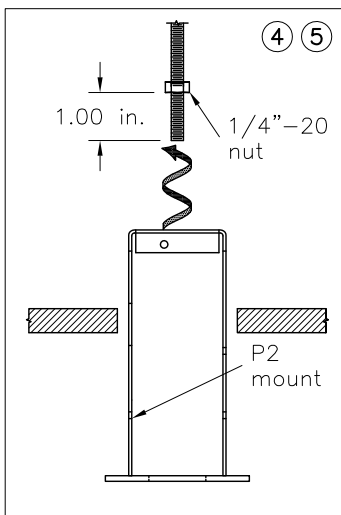
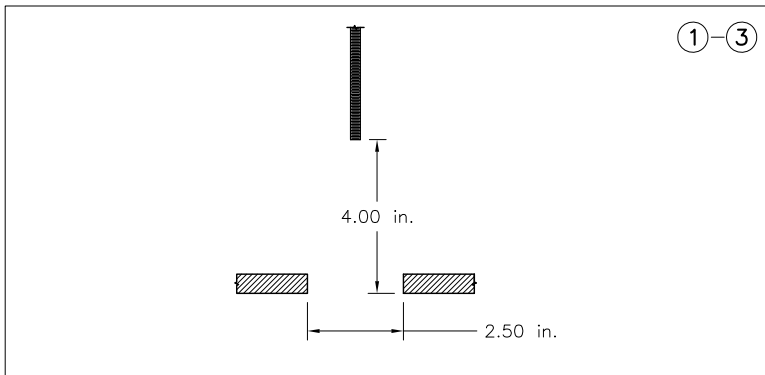
- Mount Installation**
- Secure 1/4"–20 threaded rod (supplied by others) to the substructure, directly above specified mount location. (see layout drawings)
Note: Recommend using a minimum A36 steel 1/4"–20 threaded rod.
 - The free end of this rod must be located approximately 4 in. above the ceiling level.
 - Drill a 2-1/2 in. dia hole in the tile at the specified mounting location using a hole saw.
 - Thread one of the 1/4"–20 nuts (provided) onto the threaded rod to at least 1" above the free end of the rod.
 - Spin mount onto threaded rod until canopy is in contact with ceiling tile.
 - Place pendant ball in ceiling mount hole and thread pendant pipe up through mount into pendant ball.
- Fixture Attachment**
- Support fixture sections just above the installed level. Thread free end of pendant pipe into fixture pendant ball by lifting pendant pipe up to disengage key lock in the ceiling level mount. Re-align the pendant ball keyway with the key at both the ceiling and fixture levels. Then carefully lower the fixture until supported by the pendant pipe.
 - Access the mount from above, through an adjacent tile, and screw mount further onto threaded rod so the canopy is again in contact with ceiling tile after any settling. Lock mount in place by tightening the 1/4"–20 nut down onto the top of the mount.

ATTENTION
THE 1/4"–20 READY ROD WHICH IS ATTACHED TO THE SUBSTRUCTURE MUST SAFELY SUPPORT AN AXIAL LOAD OF 1500 LBS.

ATTENTION
INSTALL IN ACCORDANCE TO NATIONAL AND LOCAL ELECTRICAL CODES AND BUILDING CODES.

ATTENTION
REFER TO ASSOCIATED INSTALLATION INSTRUCTIONS TO COMPLETE INSTALLATION (EG. LEVELING, JOINING, POWERED AND NON POWERED MOUNTS.)

These Installation Instructions cover non-seismic mounting requirements.



Installation Instructions

- Secure 1/4"–20 threaded rod (supplied by others) to the substructure, directly above specified mount location. (see layout drawings) **Note:** Recommend using a minimum A36 steel 1/4"–20 threaded rod.

ATTENTION

THE 1/4"–20 READY ROD WHICH IS ATTACHED TO THE SUBSTRUCTURE MUST SAFELY SUPPORT AN AXIAL LOAD OF 1500 LBS.

- The free end of this rod must be located approximately 4 in. above the ceiling level.
- Drill a 2–1/2 in. dia hole in the tile at the specified mounting location using a hole saw.
- Thread one of the 1/4"–20 nuts (provided) onto the threaded rod to at least 1" above the free end of the rod.
- Spin mount onto ready rod until canopy is in contact with ceiling tile.
- Place pendant ball in ceiling mount hole and thread pendant pipe up through mount into pendant ball.

Mount Installation

- Support fixture sections just above the installed level. Thread free end of pendant pipe into fixture pendant ball by lifting pendant pipe up to disengage key lock in the ceiling level mount. Re-align the pendant ball keyway with the key at both the ceiling and fixture levels. Carefully lower the fixture until supported by the pendant pipe.

Fixture Attachment

- Access the mount from above, through an adjacent tile, and screw mount further onto threaded rod so the canopy is again in contact with ceiling tile after any settling. Lock mount in place by tightening the 1/4"–20 nut down onto the top of the mount.

Power Connection

- Connect power cable to mounting strap. Feed appropriate electrical wires (contractor supplied) through pendant pipe, from mount, down to fixture level. Make appropriate power connections at mount level.
- Attach J–box cover and top cover bracket using screws provided.

ATTENTION

INSTALL IN ACCORDANCE TO NATIONAL AND LOCAL ELECTRICAL CODES AND BUILDING CODES.

ATTENTION

REFER TO ASSOCIATED INSTALLATION INSTRUCTIONS TO COMPLETE INSTALLATION (EG. LEVELING, JOINING, POWERED AND NON POWERED MOUNTS.)



LEDALITE

Installation Documentation

ID-P5

P5 PENDANT MOUNT Support Connection Above T-Bar Ceiling

Instructions included with this package:

Document	Description
P5-AP0,1,2	P5 Pendant Mounting Installation with/without Power
P5-AEQ	P5 Pendant Mounting Seismic Upgrade

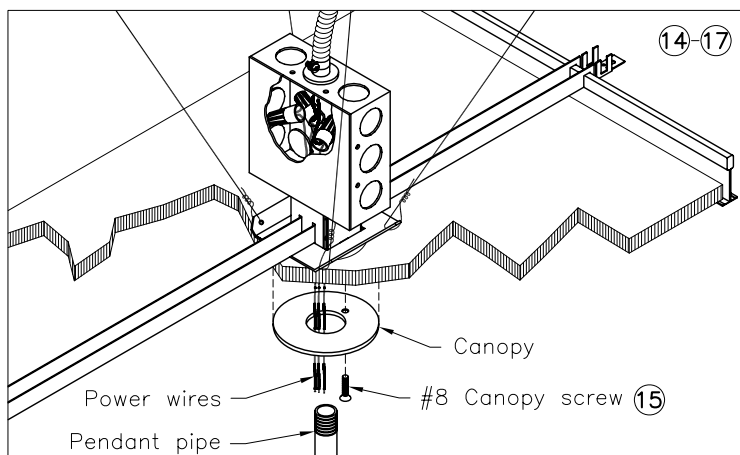
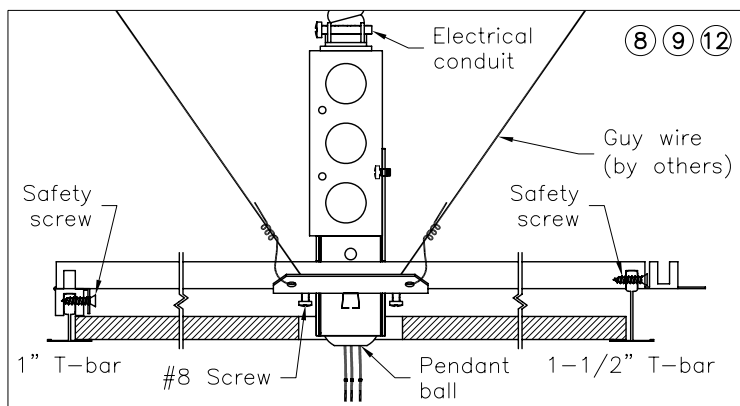
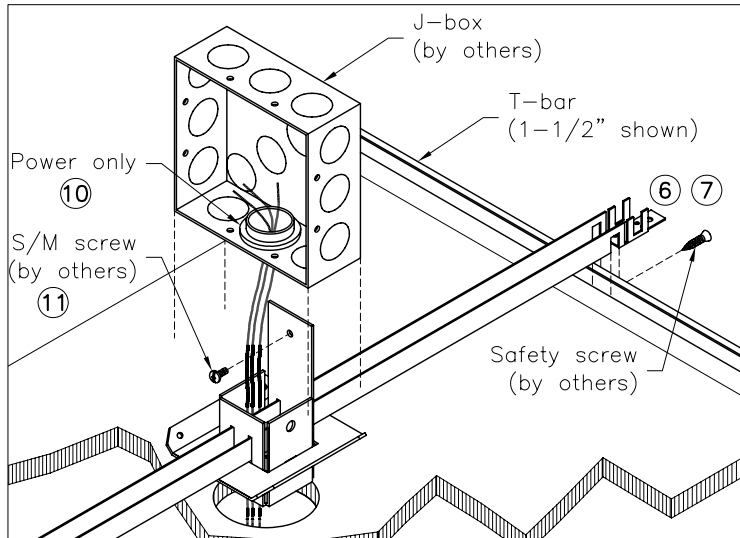
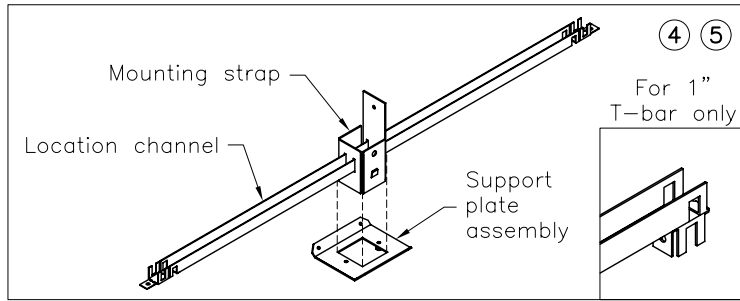
PLEASE RETAIN PACKAGE FOR FUTURE REFERENCE



These installation instructions cover seismic requirements – UBC and California seismic Zone 1.0. For seismic requirements greater than Zone 1.0 use P5-AEQ installation instructions in addition to the following instructions.

Reference drawing No. 3002P23

INSTALLATION INSTRUCTIONS



Mount Installation

Power Connection

Canopy Attachment
Fixture Installation

- ① Attach four 12 gauge steel guy wires (by others) to substructure above. Guy wires should be angled at approximately 45° or less off the horizontal. **Do NOT** tie off loose ends until step ⑨.
- ② Drill a 2-1/4 inch diameter hole in ceiling tile at desired mount location using a hole saw. Ensure center of hole is minimum 2 inches away from edge of t-bar.
- ③ Insert pendant ball inside mounting strap with round threaded end facing down.
Note: This mounting system is designed to work with 1 inch and/or 1-1/2 inch t-bar systems. Determine specific application and follow appropriate instructions in step ④.
- ④ For 1 inch T-bar slide location channel through mounting strap, and fold tabs of location channel as shown.
- ④ For 1-1/2 inch T-bar slide location channel through mounting strap, and use location channel as shipped.
- ⑤ Snap support plate assembly past mounting strap tabs to bottom of location channel.
- ⑥ Through an adjacent tile, place mounting assembly over 2-1/4 inch diameter hole and adjust mounting strap to desired position. Once strap is aligned with mounting location, snap assembly to t-bar.
- ⑦ To secure location channel, screw a self-tapping sheet metal screw (supplied by others) into t-bar at each end.

IMPORTANT
LOCATION CHANNEL IS DESIGNED TO LOCATE MOUNTING POINT, **NOT** TO SUPPORT FIXTURE.

- ⑧ From below installed mount, tighten the two #8 sheet metal screws, to bind location channel, mounting strap and support plate together.
- ⑨ **IMPORTANT:** Attach guy wires installed in step ① to support plate by threading free ends through corner holes and tightly wrapping wires around themselves a minimum of four turns.

For Power Version Only:

- ⑩ Connect fixture power wires to junction box and feed wires through pendant ball.
Note: For seismic upgrade kit installation, skip step ⑪ and follow P5-AEQ installation instructions.
- ⑪ Fasten j-box assembly to mounting strap using a self-tapping sheet metal screw. (supplied by others)
- ⑫ Connect electrical conduit to j-box and make required electrical connections.
- ⑬ Feed power wires through canopy hole.

- ⑭ Secure canopy to mounting strap by threading the #8 canopy screw into tapped mounting strap hole.
IMPORTANT: Tighten the #8 canopy screw until canopy contacts ceiling tile.
- ⑮ For power version, feed power cord through pendant pipe. Thread pendant pipe into pendant ball at mounting strap while aligning keyways in pendant ball and strap.
- ⑯ Support fixture sections just above the installed level. Thread pendant pipe into pendant ball at fixture level.
- ⑰ If applicable, make appropriate power connections at fixture level.

ATTENTION
INSTALL IN ACCORDANCE TO NATIONAL AND LOCAL ELECTRICAL CODES AND BUILDING CODES.

These Installation Instructions cover mounting requirements – UBC Seismic Zone 4.0 with I=1.5, But must be used in conjunction with standard Non-Power Mount/Seismic or Power Mount/Seismic Installation Instructions, which ever is applicable.

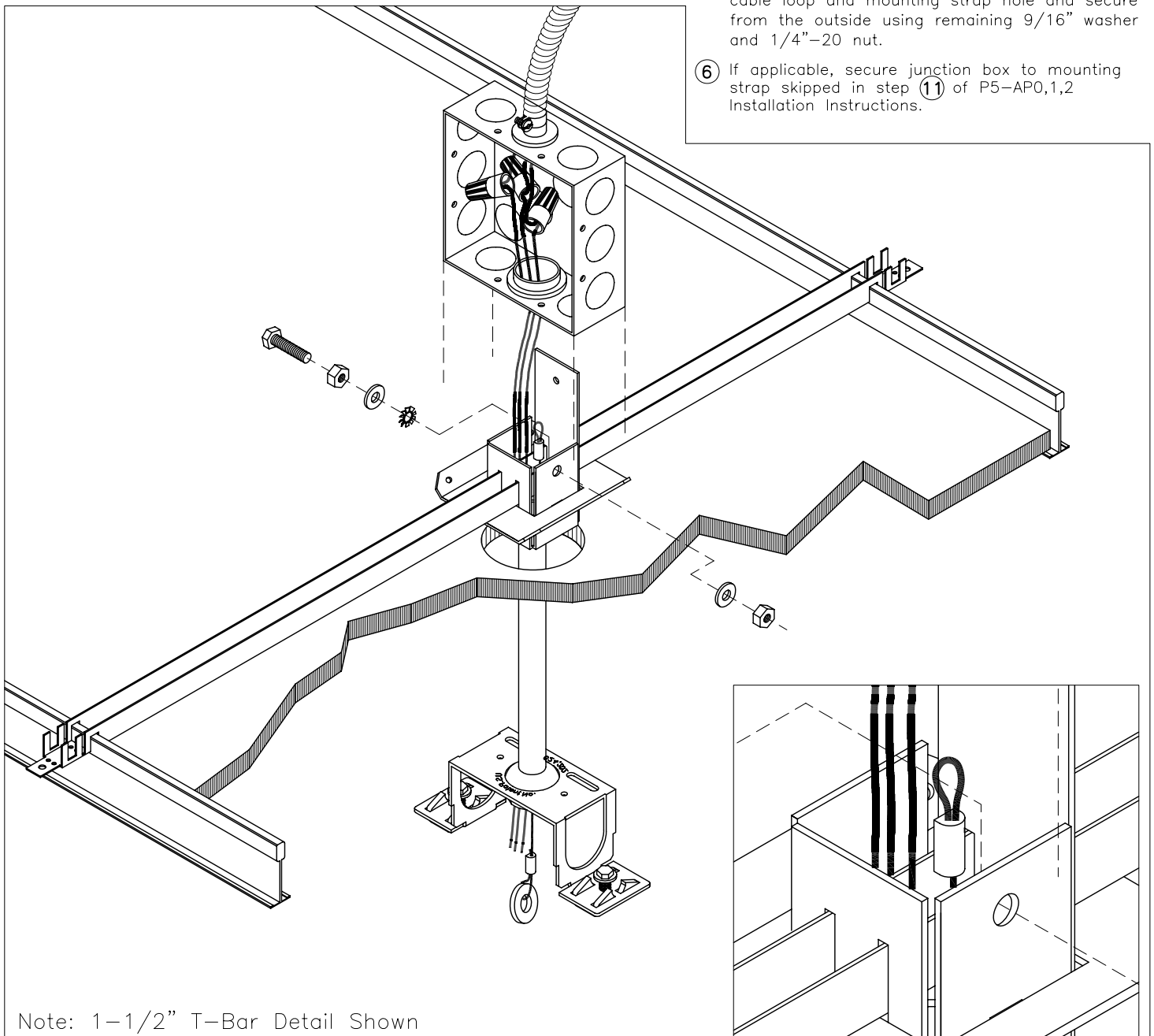
Reference drawing No. 300zq01

Installation Instructions

ATTENTION
INSTALL IN ACCORDANCE TO NATIONAL AND LOCAL ELECTRICAL CODES AND BUILDING CODES.

ATTENTION
REFER TO ASSOCIATED INSTALLATION INSTRUCTIONS TO COMPLETE INSTALLATION (EG. LEVELING, JOINING, POWERED AND NON POWERED MOUNTS.)

- ① Install mount components in accordance with P5-AP0,1,2 Installation Instructions.
- ② Attach fixture in accordance with P5-AP0,1,2 Installation Instructions.
- ③ Feed non-washer end of safety cable up through fixture end of pendant pipe to ceiling.
- ④ Pull safety cable loop slightly out of mounting strap.
- ⑤ From inside of mounting strap, thread the 1/4"-20 mounting bolt, 1/4"-20 nut, 9/16" washer and star washer through the safety cable loop and mounting strap hole and secure from the outside using remaining 9/16" washer and 1/4"-20 nut.
- ⑥ If applicable, secure junction box to mounting strap skipped in step ⑪ of P5-AP0,1,2 Installation Instructions.



Note: 1-1/2" T-Bar Detail Shown