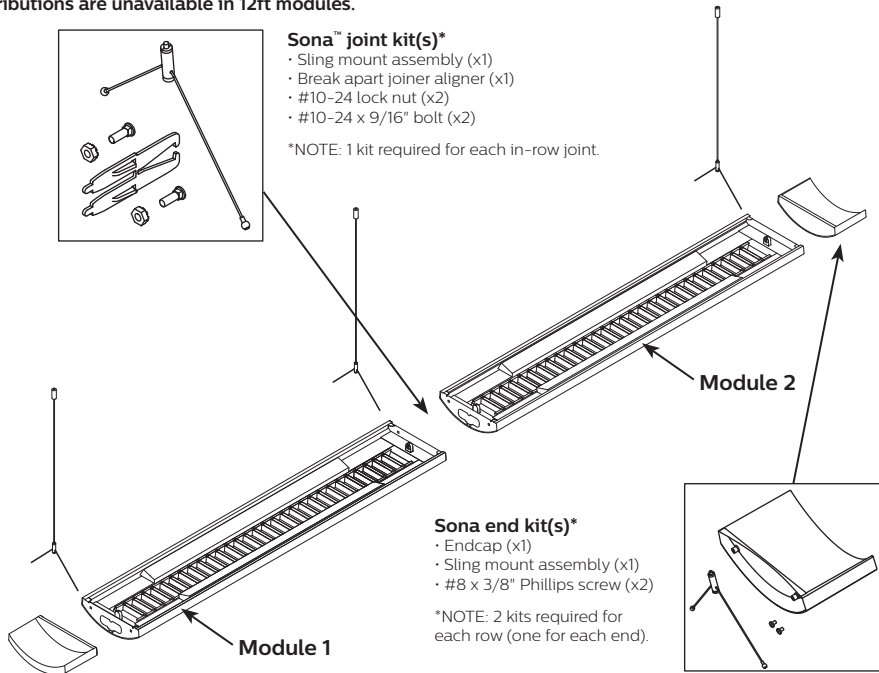


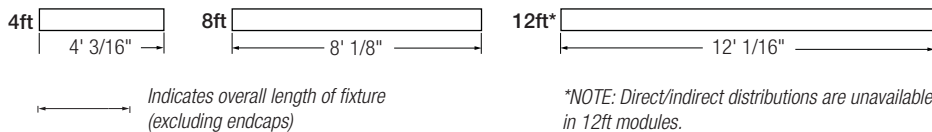
System Overview

These instructions review how to install Sona suspended fixtures. Sona 4/8/12ft* modules can be installed as individual standalone units, or they can be joined together to create continuous rows. The graphic below shows the components required to install a typical row of Sona suspended fixtures. ***NOTE: Direct/indirect distributions are unavailable in 12ft modules.**



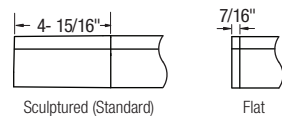
Module Lengths

Sona suspended systems come in 4, 8 and 12ft modules. Overall module lengths are shown below. Module lengths do not include endcaps.



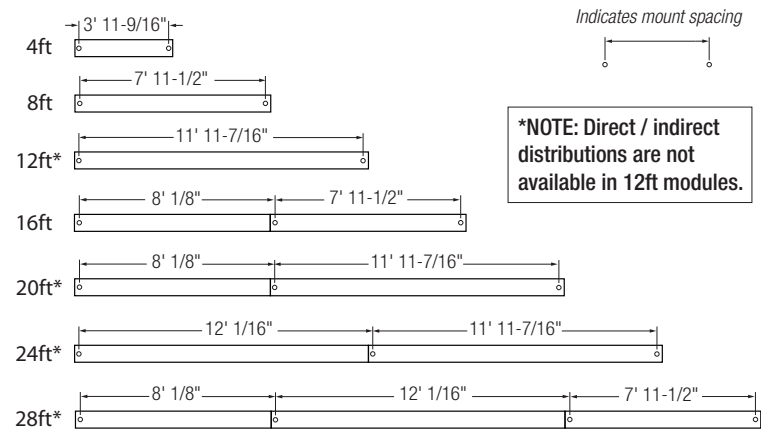
Endcaps

Add two endcaps to the length of each row. The standard Sona endcap is sculptured. There is also a flat endcap option.



Mount Spacing

For on-grid T-bar ceiling installations, mounts attach directly to Tee. For non-accessible ceilings and off-grid T-bar installations, the graphic below indicates mount spacing for typical row lengths. Mounting options are also available for a wide variety of other ceiling types. See Suspended Mounting Options document for more detailed information.



Row Configurations

The table below indicates how nominal 8ft and 12ft* modules can be combined to create continuous rows of various lengths. Modules can be combined in any order.

Table A - Semi-Indirect Distributions

Nominal Row Length	Number of Modules Required *		Installed Row Length (not including endcaps)
	8'	12'	
16'	2x		16'-1/4"
20'	1x	1x	20'-3/16"
24'		2x	24'-1/8"
28'	2x	1x	28'-5/16"
32'	1x	2x	32'-1/4"
36'		3x	36'-3/16"
40'	2x	2x	40'-3/8"
44'	1x	3x	44'-5/16"
48'		4x	48'-1/4"
52'	2x	3x	52'-7/16"
56'	1x	4x	56'-3/8"

Table B - Direct/Indirect Distributions

Nominal Row Length	Number of Modules Required		Installed Row Length (not including endcaps)
	4'	8'	
16'		2x	16'-1/4"
20'	1x	2x	20'-7/16"
24'		3x	24'-3/8"
28'	1x	3x	28'-9/16"
32'		4x	32'-1/2"
36'	1x	4x	36'-11/16"
40'		5x	40'-5/8"
44'	1x	5x	44'-13/16"
48'		6x	48'-3/4"
52'	1x	6x	52'-15/16"
56'		7x	56'-7/8"

* Note: Direct/indirect distributions are unavailable in 12ft modules. See Table B for direct/indirect distributions.

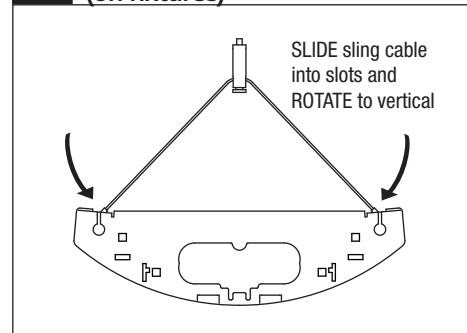
1 Install ceiling components

Install all ceiling mounting components and vertical aircraft cables using separate installation instructions for Aircraft Cable Mounting (supplied).

2 Unpack / prepare fixtures

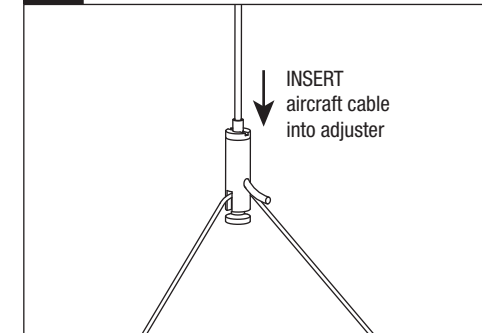
Arrange boxed fixtures on floor in specified mounting locations; remove fixtures from boxes; remove plastic from fixtures.

3 Install sling cable assemblies (on fixtures)



Slide ends of sling cable through slots on cross-plate and rotate to vertical.

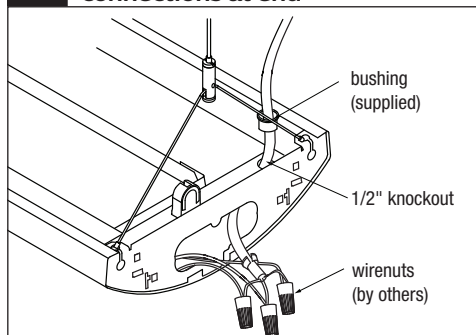
4 Suspend first fixture



With two people, raise first fixture to ceiling. At each end of fixture, insert aircraft cable through aircraft cable adjuster (located on sling mount assembly). The adjuster will automatically grip and hold the cable.

IMPORTANT: Review instruction A on aircraft cable. Do not force cable into adjuster.

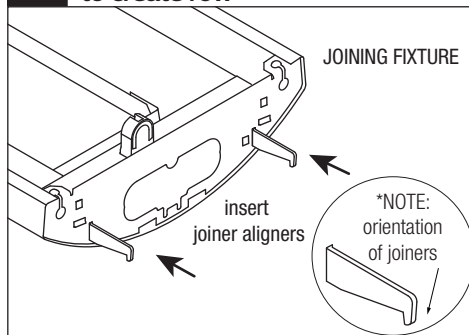
5 Complete electrical connections at end



POWER LOCATION: Break 1/2" knock-outs in reflector pan and insert supplied bushings. Install strain relief under reflector to secure power cord. Remove installed quick-wire connectors and complete electrical connections using wirenuts (supplied by others). Tuck wires into wiring cavity.

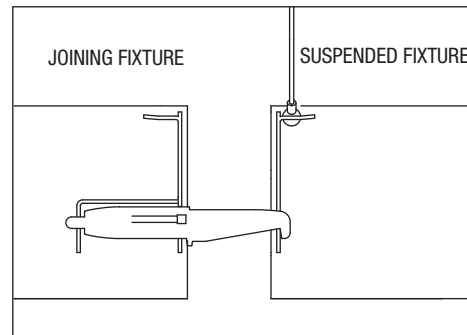
NON-POWER LOCATIONS: Cap all wires and tuck into wire cavity.

6 Suspend additional fixtures to create row



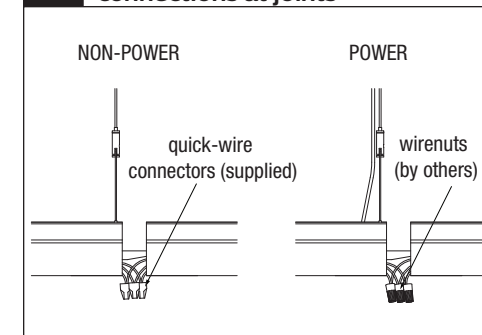
On joining fixture, insert joiner brackets into crossplate (brackets should lock into place). With two people, raise second fixture to ceiling.

IMPORTANT: Do not attempt to join fixtures on floor. Instead, hang one fixture at a time and join modules at ceiling level.



At joint, rest joiner aligners in suspended fixture. At other end (opposite joint), insert aircraft cable through adjuster.

7 Complete electrical connections at joints



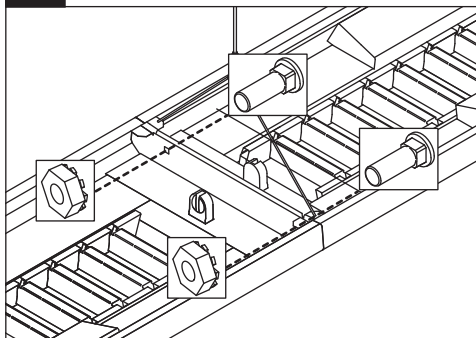
Complete in-row electrical connections.

NON-POWER LOCATIONS: Use supplied quick-wire connectors. Tuck wires into wire cavity.

POWER LOCATIONS: Remove installed quick-wire connectors and complete electrical connections using wirenuts (supplied by others). Tuck wires into wiring cavity.

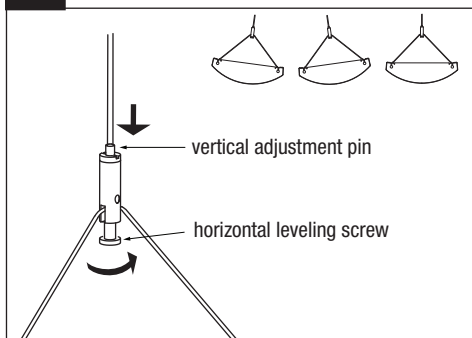
! ATTENTION: Install in accordance with national and local building and electrical codes.

8 Secure joints



Slide fixtures together and secure joint using supplied nut and bolt hardware (requires 3/8" nut driver).

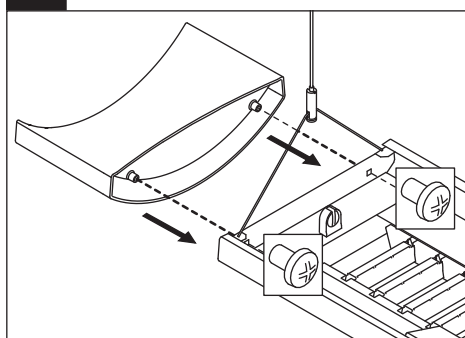
9 Level all fixtures / rows



LEVEL HORIZONTALLY: Loosen horizontal leveling screw located on bottom of adjuster and level as required. Tighten screw once mount is in level position.

ADJUST VERTICALLY: Support fixture from below and press down on vertical adjustment pin to make fine height adjustments (review instruction A for details).

10 Install endcaps



Attach endcap to first and last module in each row using supplied hardware.

IMPORTANT: Do not over-tighten endcap screws. Ledalite recommends tightening screws by hand.

11 Finishing

Lamp fixtures.

Ensure all components are secure and installed according to code.

A Aircraft cable adjustment

IMPORTANT: Do not force cable into adjuster. Insert cable into adjuster following the steps below.

1. CUT

If required, cut cable ends cleanly prior to inserting into adjuster. Recommended cutters: K.K. Porter cable cutter cat. No. 0690TN or Klein all purpose shears cat. No. 1104.

2. INSERT

Carefully insert cable into tapered end. Press down on vertical adjustment pin to make fine height adjustments. Trim end, as required, leaving minimum 1" exposed.

3. TEST

Once cable is inserted, apply a 25lb point load to each mount bracket to ensure all connections are secure.

! ATTENTION: Install in accordance with national and local building and electrical codes.

Page 3