

### System Overview

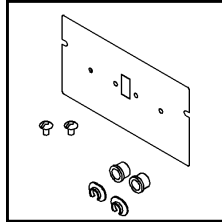
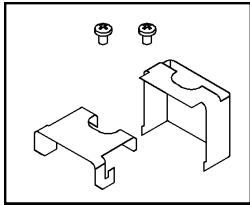
These instructions review how to install Chopstick LED wall mount fixtures. Chopstick 4ft, 6ft, & 8ft modules can be installed as individual standalone units, or they can be joined together to create continuous rows. The graphic below shows the components required to install a typical row of Chopstick LED wall mount fixtures.

**IMPORTANT:** Read all instructions including fixture wiring AND mechanical details **before** beginning installation.

#### Chopstick mounting kit(s)\*

- Rail bracket
- Wall bracket
- #8-32 screws (x2)

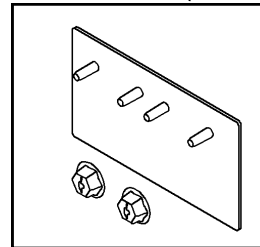
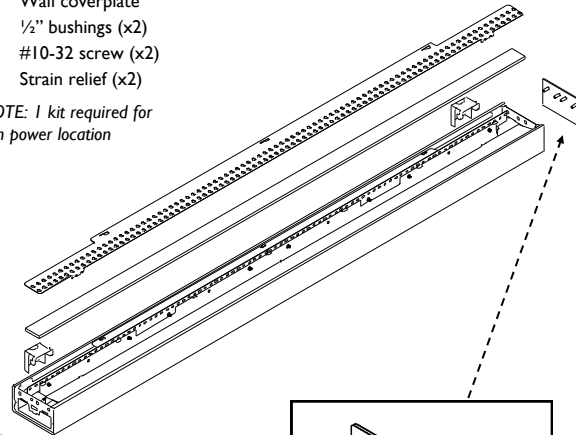
\*NOTE: 2 kits required for each 4ft and/or 6ft row. 3 kits required for each 8ft row.



#### Chopstick power kit(s)\*

- Wall coverplate
- 1/2" bushings (x2)
- #10-32 screw (x2)
- Strain relief (x2)

\*NOTE: 1 kit required for each power location



#### Chopstick end kit(s)\*

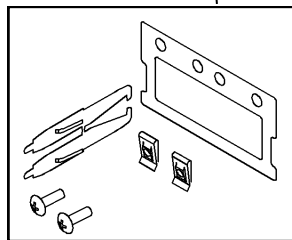
- Endcap
- 1 1/32" self-threading nuts (x2)

\*Note: 2 kits required for row (one for each end).

#### Chopstick joint kit(s)\*

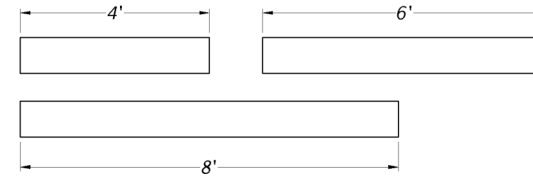
- Gasket
- Break apart joiner aligner
- #10-32 screws (x2)
- #10 spring nut (x2)

\*NOTE: 1 kit required for each joint



### Module Lengths

Chopstick LED wall mount systems come in 4ft, 6ft, and 8ft modules. Overall module lengths are shown below. Module lengths do not include endcaps.



### Endcaps

Add two endcaps to the length of each row.



### Mount Spacing

- Mounts variable within 2" – 5" to end of joint. On 8ft module, additional mount to be located within 2"- 5" of fixture centerline.
- Side-mounted 2"x4" J-box (supplied by others)

### Row Configurations

The table below indicates how 4ft, 6ft, & 8ft modules can be combined to create continuous rows of various lengths.

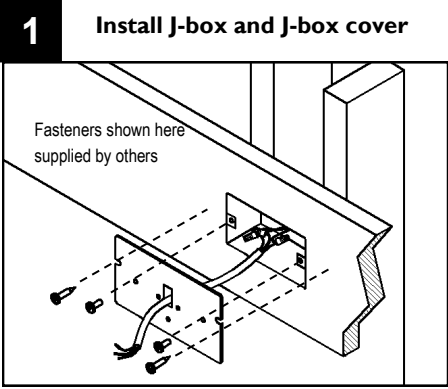
Nominal row length	4'	6'	8'
4'	1x		
6'		1x	
8'			1x
10'	1x	1x	
12'	1x		1x
14'		1x	1x
16'			2x
18'	1x	1x	1x
20'	1x		2x

**! ATTENTION: Install in accordance with national and local building and electrical codes.**

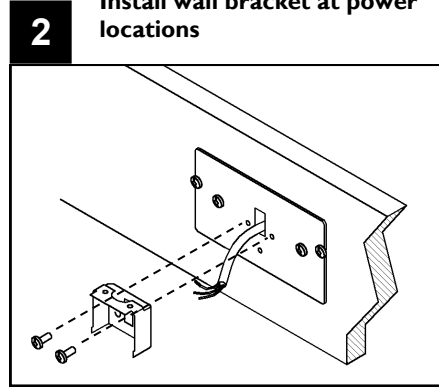
Page 1

**!**

**IMPORTANT:** All mount brackets must be secured to wall structure (e.g studs or cross-braces).

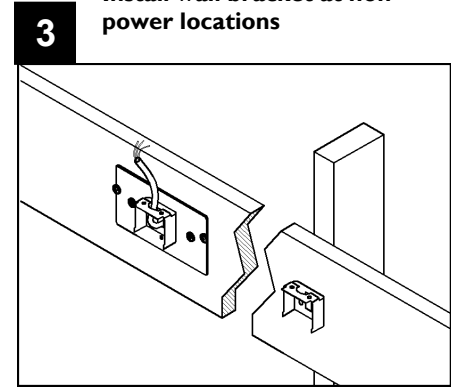


Determine power feed location and install 2"x4" J-box (supplied by others) parallel with the fixture. Complete connections at J-box **with supplied power cord**. On supplied J-box cover plate, feed power cord through rectangular hole. Secure cover to wall and J-box using applicable hardware (supplied by others).



**RECOMMENDED:** Feed power cord through top of wall bracket and attach to J-box cover with 2 screws (supplied). Leave power cord outside wall for connection.

**ALTERNATE:** Install wall bracket within 2-5" from fixture end, as close as possible to power supply. Secure bracket to wall structure.



Install additional wall brackets as required for single fixture or continuous rows. Ensure additional brackets are level with first bracket.

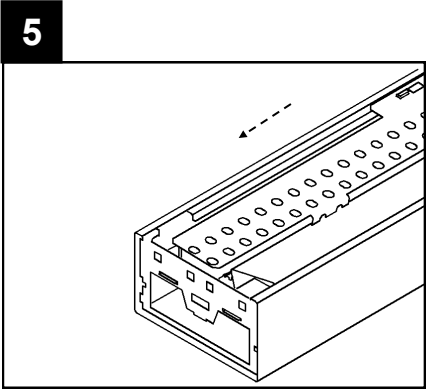
**IMPORTANT:** Attach wall brackets to wall structure within 2-5" from ends of fixture.

**For 8ft fixture:** Attach an additional bracket within 2-5" from the centerline of the 8ft fixture

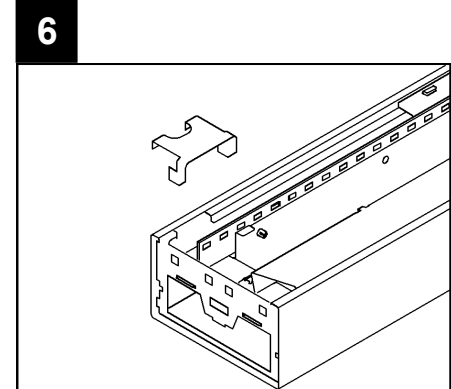
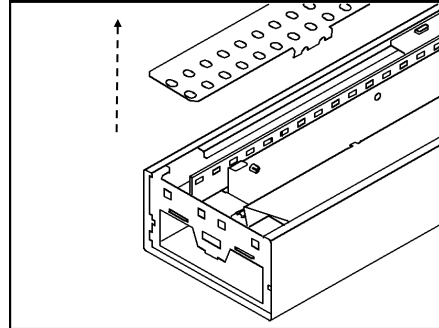
**4**

Arrange boxed fixtures on floor in specified mounting locations, remove fixtures from boxes.

**NOTE:** If conditions are dusty/dirty, recommended practice is to leave fixtures in their plastic bag. Cut small holes in bag as needed to complete the following installation sequence, and then completely remove the bag from the fixture when conditions are clean.



Remove TOP REFLECTOR by sliding to one side then lifting off.

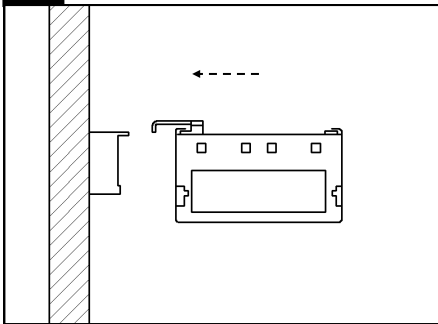


Install required number of rail brackets, per steps 2-3, on the housing. Slide along the length of housing to approximate location matching the brackets on the wall.

**!**

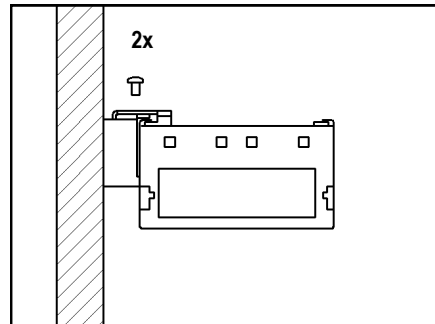
**ATTENTION:** Install in accordance with national and local building and electrical codes.

### 7 Raise fixture and engage on wall brackets



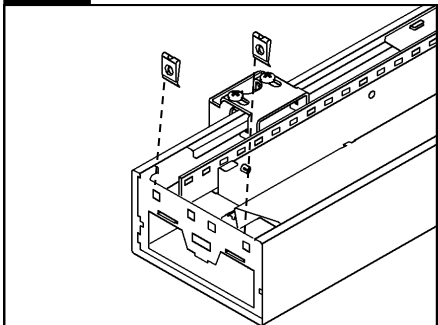
With 2 people, raise fixture into position and engage it on hooks located on top of wall brackets. Secure bracket using supplied hardware.

**POWER LOCATIONS:** Feed installed power cord through the access slot at the top of the rail bracket.

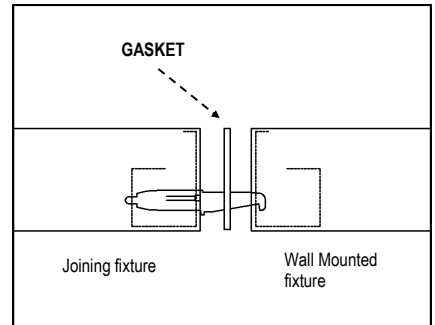


Level fixture prior to final tightening of hardware.

### 10 Install and join additional fixture to create row



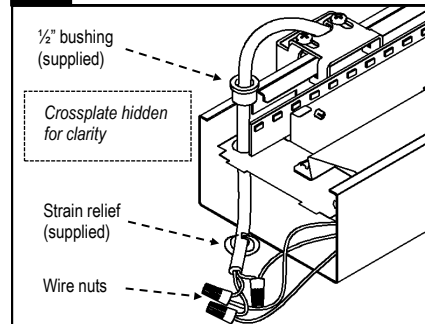
Slide spring clips onto existing wall mounted fixture.



With two people, raise second fixture to wall. At joint, insert joiner aligners through black **GASKET** and into wall mounted fixture. At other end of joining fixture, install wall bracket as in step 7.

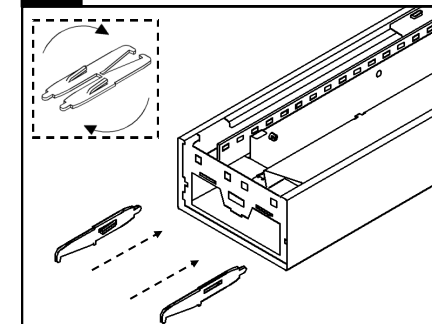
**IMPORTANT:** Do not attempt to join fixtures on floor. Correct method is to hang one fixture at a time and join fixtures at ceiling level.

### 8 Complete electrical connections



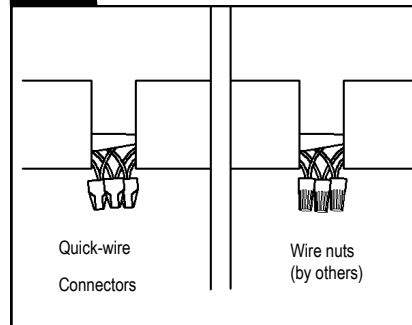
**POWER LOCATIONS:** Break required 1/2" round knockout(s) in wire cover. Insert supplied bushing into 1/2" round hole. Feed power cable through 1/2" bushing and into wire cavity. Apply supplied strain relief to power cord. Remove installed quick wire connectors (if applicable) and complete electrical connections using wire nuts (supplied by others). Tuck wires into wire cavity.

### 9 Install in-row joiner aligners



For each additional fixture in the row, at the end where it will join to the existing wall mounted fixture, insert joiner aligners into the crossplate (aligners will lock into place).

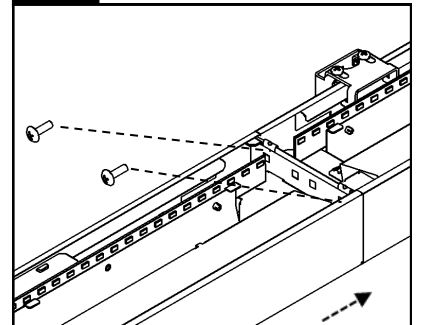
### 11 Complete electrical connections at joint



**NON-POWER LOCATIONS:** Use supplied quick-wire connectors. Tuck wires into wire cavity.

**POWER LOCATIONS:** Remove installed quick-wire connectors and complete electrical connections using wire nuts (supplied by others). Tuck wires into wiring cavity.

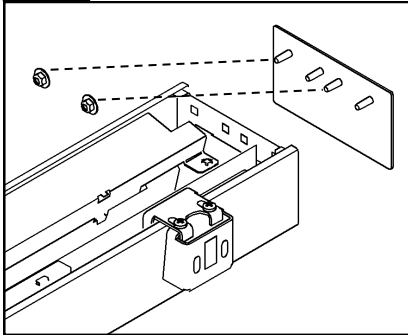
### 12 Secure fixtures at joint



Slide second fixture flush against first fixture. Secure joint using supplied hardware. Secure and level fixture to wall bracket as in step 7. For additional fixtures, repeat steps 9-12.

**! ATTENTION: Install in accordance with national and local building and electrical codes.**

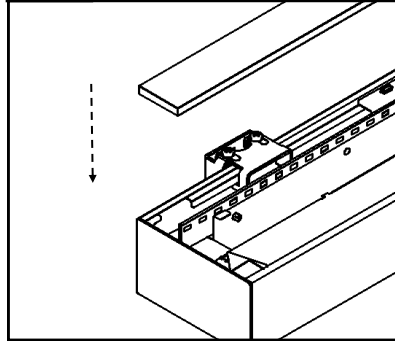
### 13 Install endcaps



Attach endcap to first and last module in each row using supplied hardware. Use the two endcap studs shown in above image.

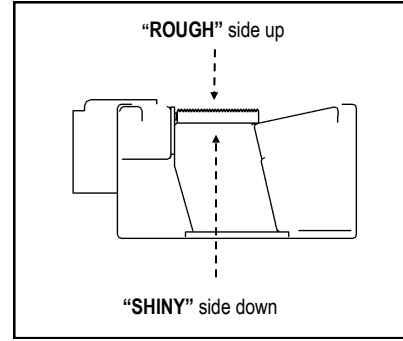
**IMPORTANT: Do not over-tighten endcap hardware.** Tighten by hand. When nut is flush with crossplate, turn additional 1/8 – 1/4 turn.

### 14 Install LIGHTGUIDE PANEL

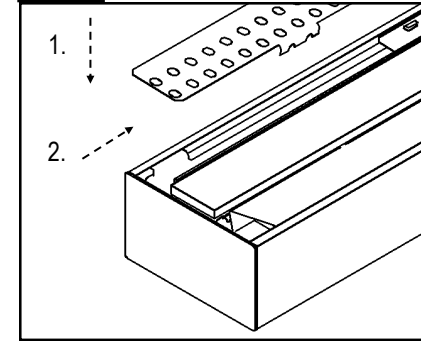


Locate LIGHTGUIDE panel in fixture box, peel protective layer from both sides of panel, and install **SHINY SIDE DOWN** in fixture as shown.

**IMPORTANT: INSTALL SHINY SIDE DOWN**



### 15 Re-Install top reflector



1. Re-install top reflector from step 5.
2. Shift into place.

This equipment has been tested and found to comply with the limits for a Class A digital device, pursuant to part 15 of the FCC Rules. These limits are designed to provide reasonable protection against harmful interference when the equipment is operated in a commercial environment. This equipment generates, uses, and can radiate radio frequency energy and, if not installed and used in accordance with the instruction manual, may cause harmful interference to radio communications. Operation of this equipment in a residential area is likely to cause harmful interference in which case the user will be required to correct the interference at his own expense.