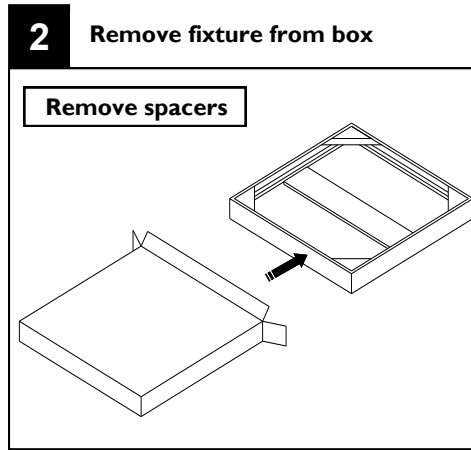
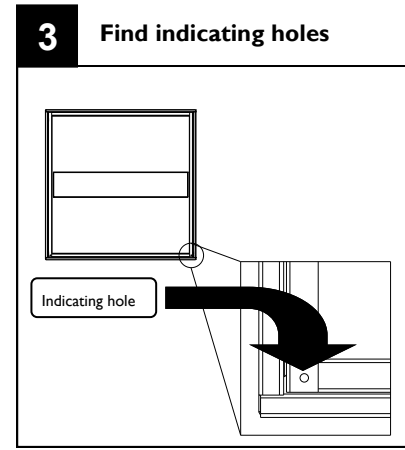


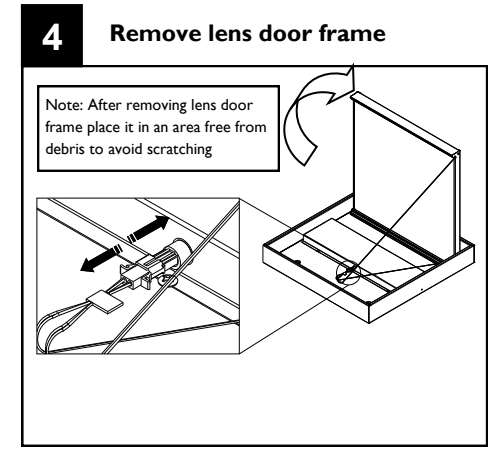
Use installation dimensions supplied on page 3, to mark up and drill holes in the correct locations. Install 1/4"-20 anchors (supplied by others) to ceiling making sure they protrude between 7/8" to 1-1/8" and that the wire access hole is over the junction box.



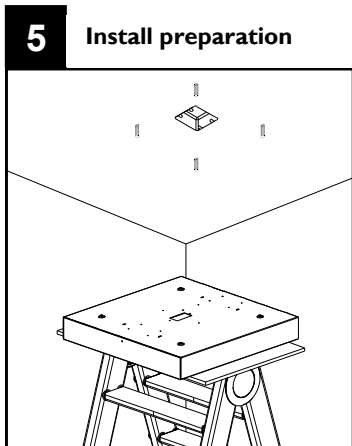
Arrange boxed fixtures on the floor in specified mounting locations. Remove fixtures and any hardware from boxes. Remove cardboard spacers.



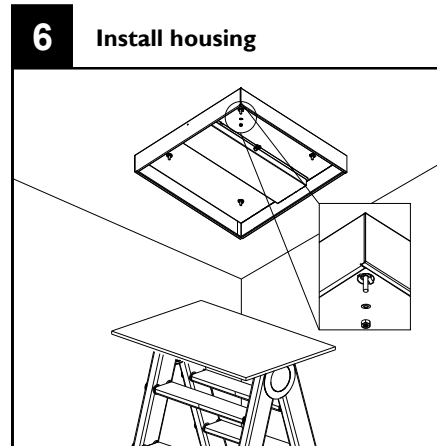
Locate indicating holes on lens door frame. These markers are opposite to the doors hinging mechanism.



Pull the lens door frame upward on the indicating marker side. Disconnect wire harness and remove doorframe.

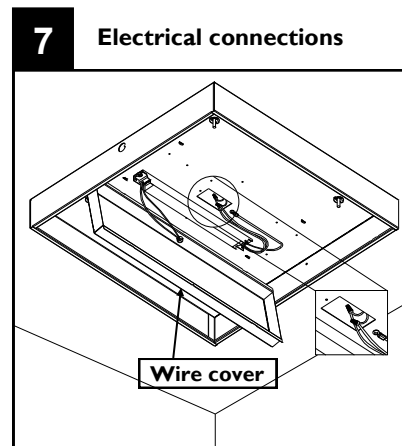


Place housing on ladder or platform under install location

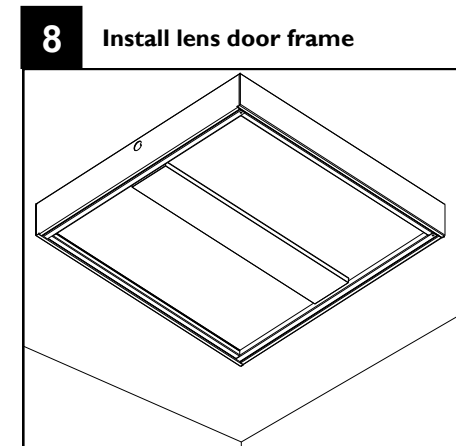


Attach housing to anchors using 1/4"-20 hex nut and washer (supplied by others)

Note: It is Recommended to use two people



Remove wire cover from housing. Make all necessary power connections and reinstall wire cover.



Connect and re-install lens door frame. Align door frame so that it sits flush with the bottom of the housing.

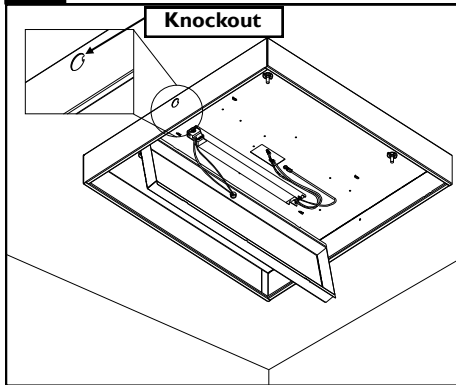
Surface conduit connection

1

Follow steps 1-6 on page 1.

7

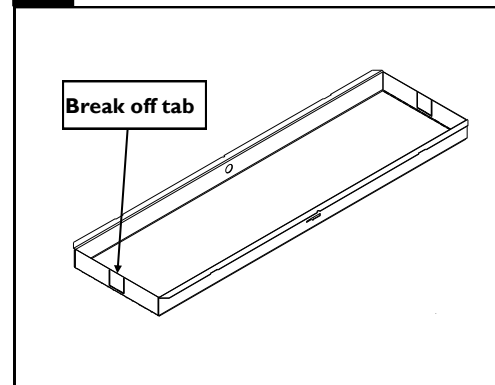
Remove wire cover



Remove wire cover. Push in knockout on the side of housing for conduit entry.

8

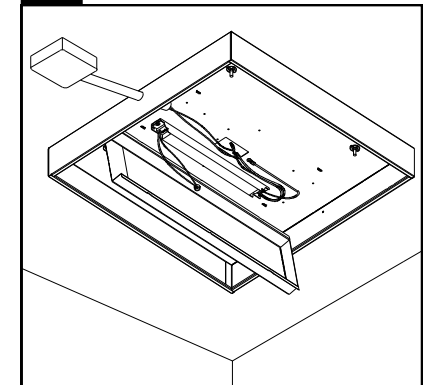
Adjust wire cover



On the conduit entry side of wire cover break off tab to allow conduit to enter driver channel

9

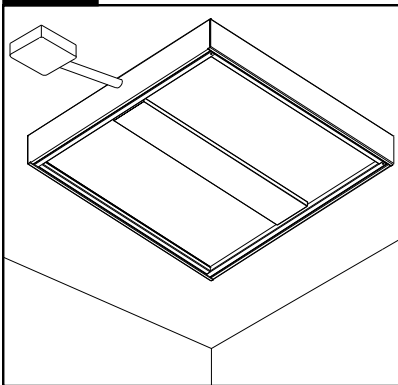
Power connection



Complete electrical connections and re-install wire cover

10

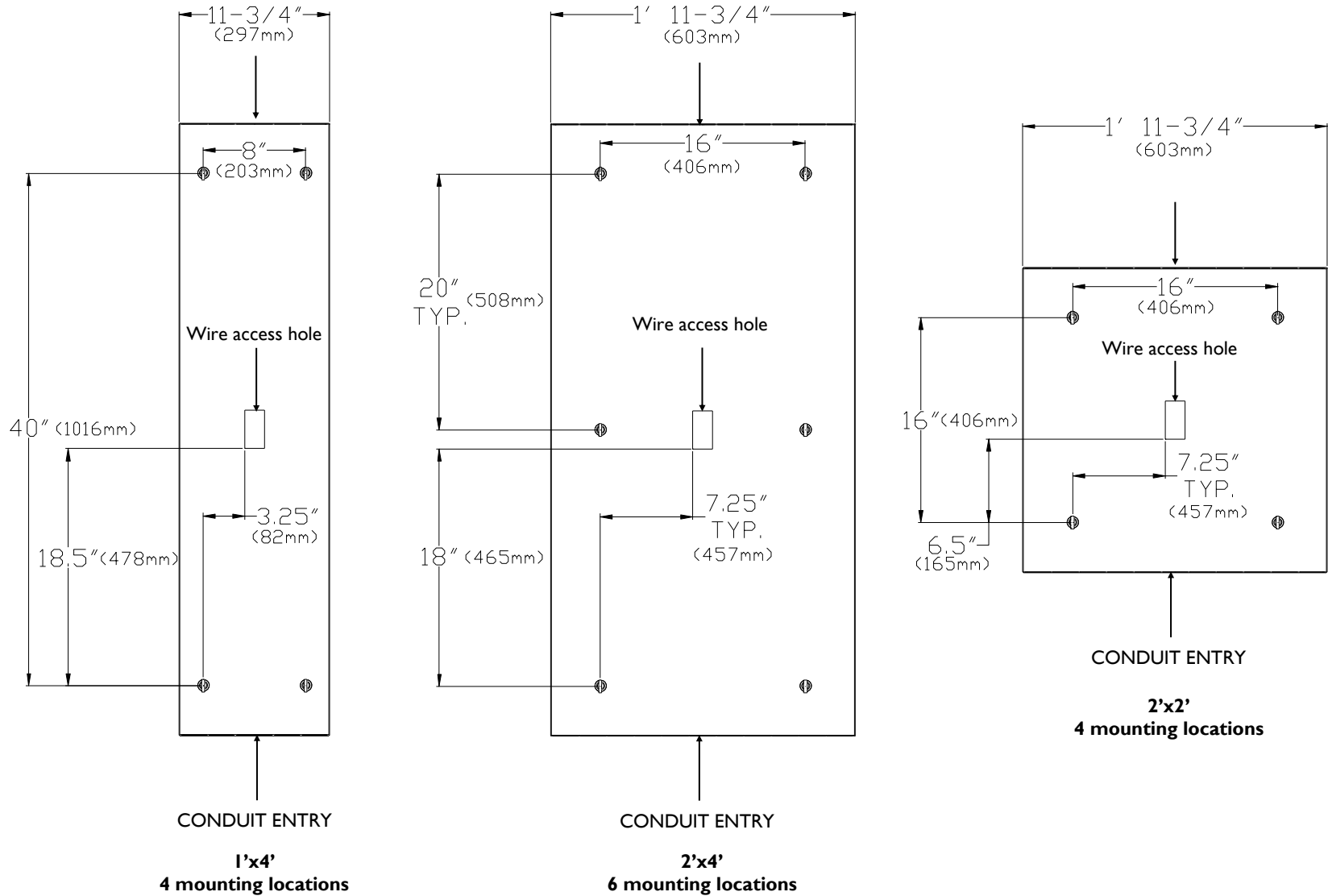
Install lens door frame



Connect and re-install lens door frame. Align door frame so that it sits flush with the bottom of the housing.

! **ATTENTION: Install in accordance with national and local building and electrical codes.**

Page 2



! ATTENTION: Install in accordance with national and local building and electrical codes.