



by Signify

Linear

TruGroove Recessed

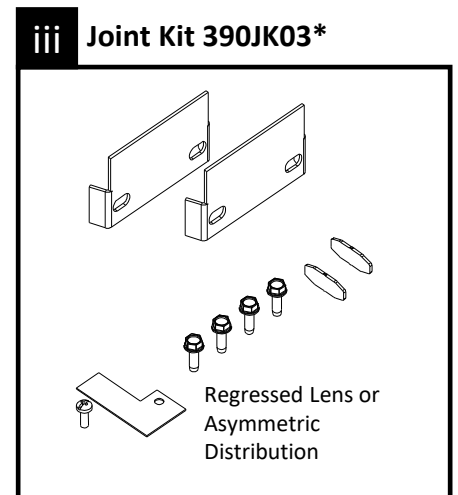
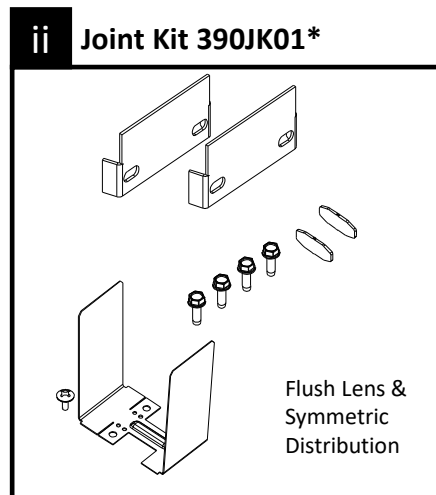
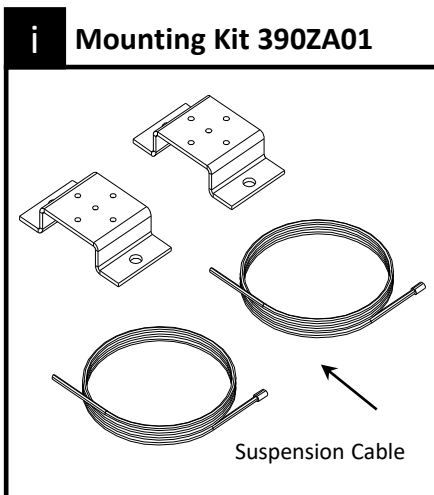
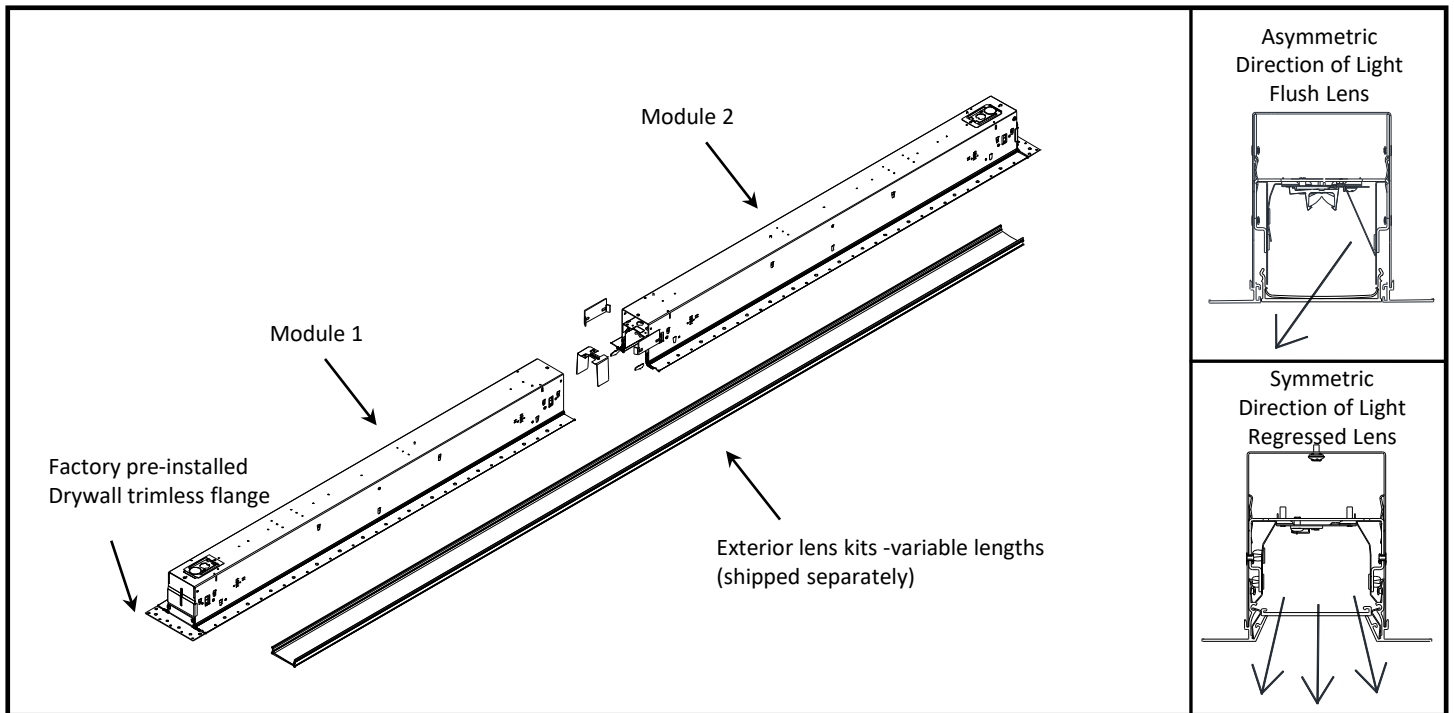
ID-39 Drywall Trimless

Standalone or Continuous Run in Drywall Ceiling System Overview



These instructions review how to install drywall trimless versions of TruGroove recessed fixtures. Please refer to layout drawings supplied by Ledalite in conjunction with these installation instructions. The graphics below show the components required.

IMPORTANT: Read all instructions including fixture/sensor wiring AND mechanical details before beginning installation



*Note: One kit required for each joint. Joint kit determined by flush or regressed lens mounting and symmetric or asymmetric light distribution.
Tools: Phillips screwdriver, 5/16" Nut Driver

! **ATTENTION: Install in accordance with local and national building and electric codes.**

ID-39 TruGroove Drywall Trimless Installation Instructions

This equipment has been tested and found to comply with the limits for a Class A digital device, pursuant to part 15 of the FCC Rules. These limits are designed to provide reasonable protection against harmful interference when the equipment is operated in a commercial environment. This equipment generates, uses, and can radiate radio frequency energy and, if not installed and used in accordance with the instruction manual, may cause harmful interference to radio communications. Operation of this equipment in a residential area is likely to cause harmful interference in which case the user will be required to correct the interference at his own expense.

Important Notes

i Installation Notes

- 'C' Channels (or equivalent) must be properly braced to ensure accuracy of cut-out in drywall.
- Use appropriate tools to outline specified dimensions of ceiling cut-out to ensure straightness of cutting.
- Lens will not insert properly if fixture trim has mud or paint build-up.

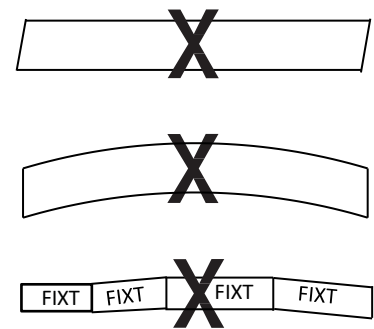
⚡ Warning, Shock Hazard

Fixture must be connected to building ground via the provided ground wire before connecting to mains power supply.

Disconnect or turn off power before attempting any installation, service or maintenance.



! Avoid



FIXT = FIXTURE MODULE

The straightness and accuracy of the cut-out in the drywall is crucial in ensuring proper fit for the fixture.

NOTE: TruGroove modules are designed for installation after ceiling construction.

Prepare Ceiling: Standalone Units

1 Determine Locations

- Determine fixture location and fixture type. Refer to figure A for cut-out length and mount locations. Install mount brackets and suspension cables as shown on page 3.
- Determine power feed location(s) - refer to figure A. Install power feeds as required and drop below installed ceiling height.
- Build ceiling frame around fixture cutout to 3-7/8" to 4-1/8" width as shown in figure A.

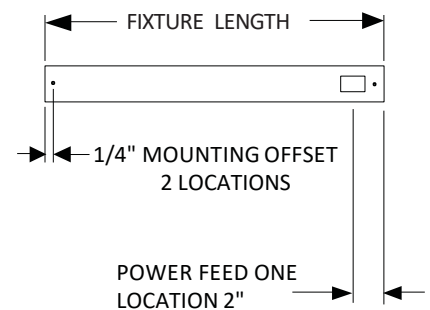
A Ceiling Cut-out Details

Cut-out Length:

2ft	24" + 1/4"
4ft	48" + 1/4"
8ft	96" + 1/4"



Cutout Width: **MIN 3-7/8"**
MAX 4-1/8"



Important: The cut-out **MUST** fall within the specified tolerances.

Important: For 2ft standalone fixtures, end framing members must be installed 1" beyond ceiling cut-out.

! **ATTENTION:** Install in accordance with local and national building and electric codes.

ID-39 TruGroove Drywall Trimless Installation Instructions

Prepare Ceiling: Continuous Runs

2 Determine Locations

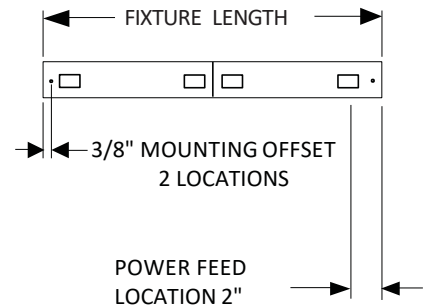
- Determine fixture location and fixture type. Refer to figure B for mount locations and cut-out length. Install mount brackets and suspension cables as shown below.
- Determine power feed location(s) - refer to layout drawings. Install power feeds as required and drop below installed ceiling height.
- Build ceiling frame around fixture cut-out to 3-7/8" to 4-1/8" width as shown in figure B. Refer to layout drawings for ceiling frame length.

B Ceiling Cut-out Details



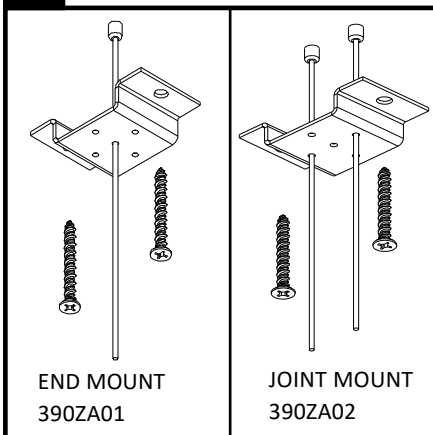
Cutout Width: **MIN 3-7/8"**
MAX 4-1/8"

For continuous run fixtures, the cut-out in the drywall ceiling should be the same size as the overall fixture run length indicated on the layout drawings +1/4".



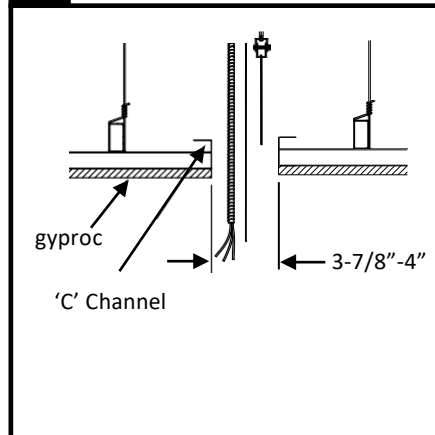
Installation Preparation

3 Mount Kit



Install mounting brackets, suspension cables and power feed(s) at required locations. Mounting hardware (screws/ fasteners) are supplied by others. Maximum screw size # 10 (.190").

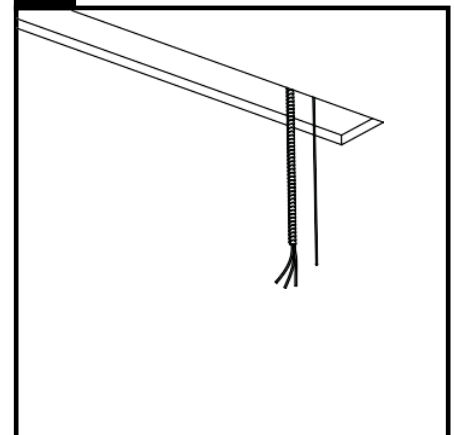
4 Install Mounts and Power Cables



Install a 'C' channel perimeter around the ceiling cutout.

Important: See ceiling cut-out details on page 2 & 3.

5 Install Drywall Ceiling



Install drywall ceiling and cut required opening as shown in **figure A** on page 2 or **figure B** on page 3.

! **ATTENTION: Install in accordance with local and national building and electric codes.**

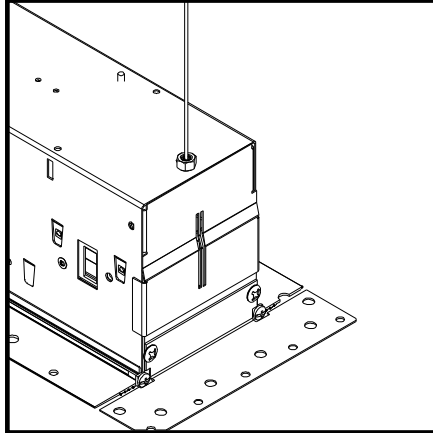
ID-39 TruGroove Drywall Trimless Installation Instructions

Install fixtures

6 Prepare Fixtures

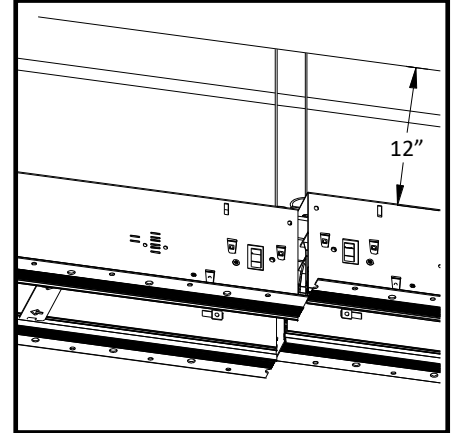
Arrange boxed fixtures on floor in specified mounting locations, based on supplied layout drawings. Match up each fixture based on the spec tag and ID number labelled on each fixture box for the specified run.

7 Insert Aircraft Cable



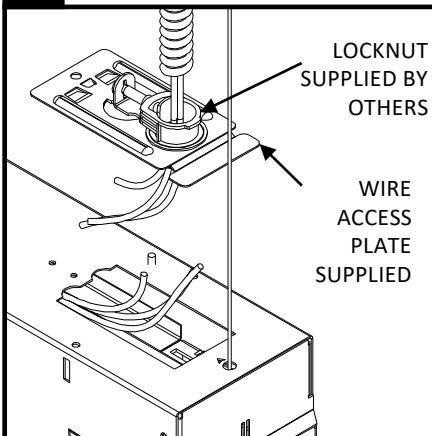
Suspend each module by inserting the aircraft cables through the grippers on top of the housing.

8 Raise Fixture



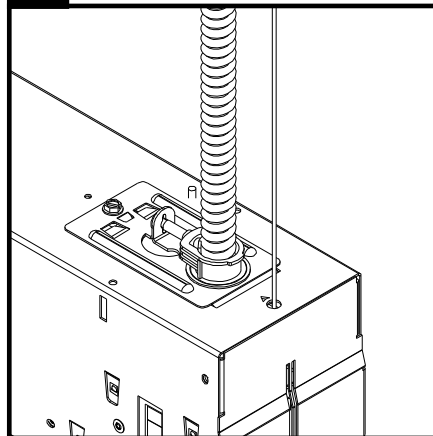
Gradually lift each module to approximately 12 inches below the ceiling.

9 Remove Cover and Feed through Power Wire



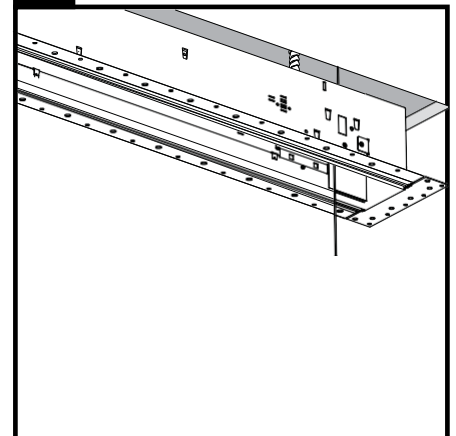
At the power location(s), remove factory installed wire cover. Feed power wires through. Complete all wiring connections.

10 Re-install Wire Cover



Re-install wire cover and slide to lock. Install screw.

11 Raise and Level Fixtures



Once the power connections are complete, pull the aircraft cable to raise all modules to just below the ceiling.

Important: Modules must be level relative to each other if joining of sections is required

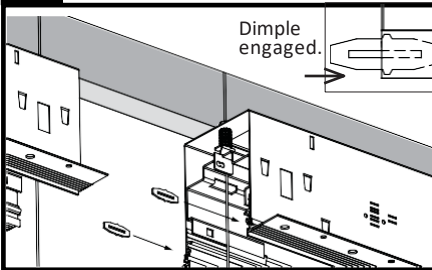


! **ATTENTION: Install in accordance with local and national building and electric codes.**

ID-39 TruGroove Drywall Trimless Installation Instructions

NOTE: For Standalone fixtures skip to step 16

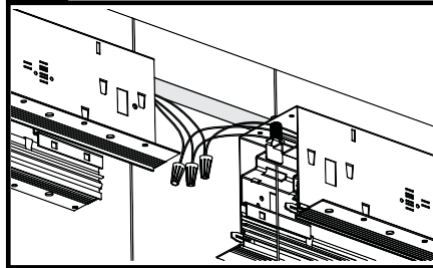
12 Install Joiner Aligners



At joint location(s), gently tap provided joiner aligners inside one module only. Two joiner aligners are required for each joint.

Important: To insert aligners, tap gently with a hammer until half is inserted into the joiner channel. Be sure to engage the dimple.

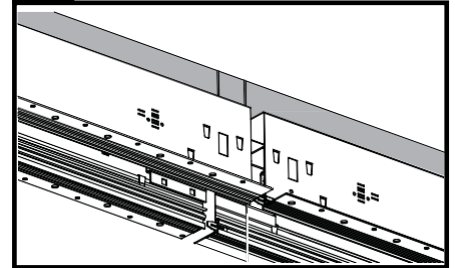
13 Complete Wiring Connections



Complete module to module wiring connections and carefully tuck all wires inside the upper wiring cavity.

Important: Pay attention that the fixture to fixture ground wire is connected.

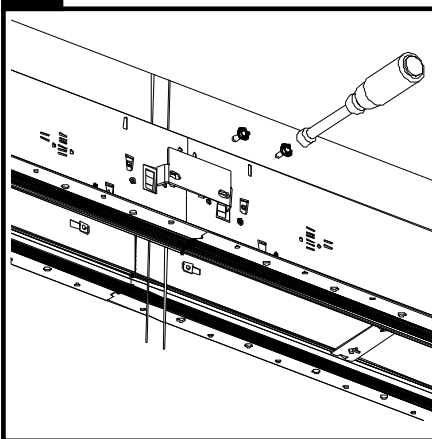
14 Join Individual Modules



Gently slide housing modules together, ensuring joiner aligners are engaged inside the trim in the adjacent module.

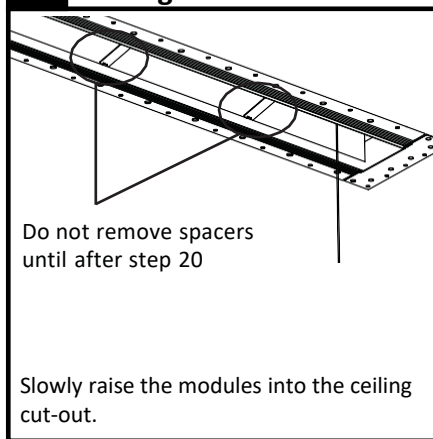
Important: Joiner aligners must be fully inserted to provide proper section alignment.

15 Install Joiner Brackets



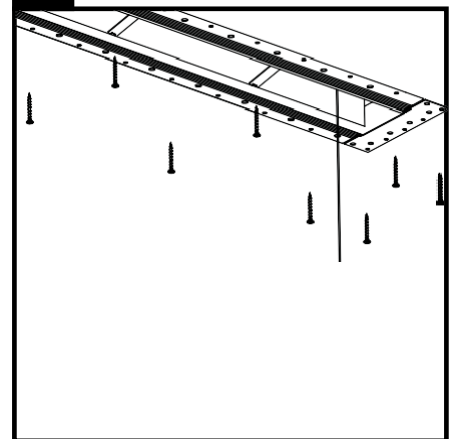
Install joiner brackets on each side of the housing using supplied hardware. **Important:** Hand tighten bracket screws while supporting the housing on the opposite side. Gradually alternate sides while tightening. Do not over tighten.

16 Raise Fixture(s) into Ceiling Cut-out



Important: For continuous row modules, start at one end and gradually raise each module up one inch at a time. Repeat process until housing is fully recessed and housing trim touches drywall ceiling. Do not stress the joint connection by tilting the module, as damage can occur.

17 Secure Fixture

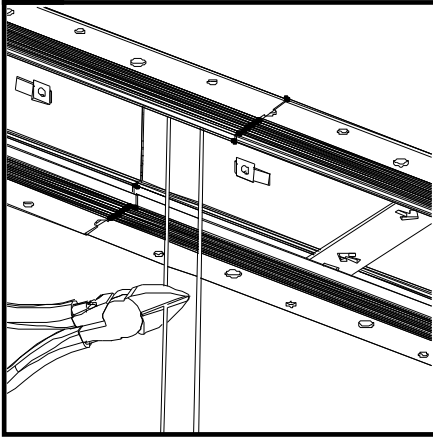


Secure the fixture to the gyproc and 'C' channel with #6 drywall screws (supplied by others). Ensure screws are driven "Straight" and not in anyway to alter the width of the opening.

! **ATTENTION:** Install in accordance with local and national building and electric codes.

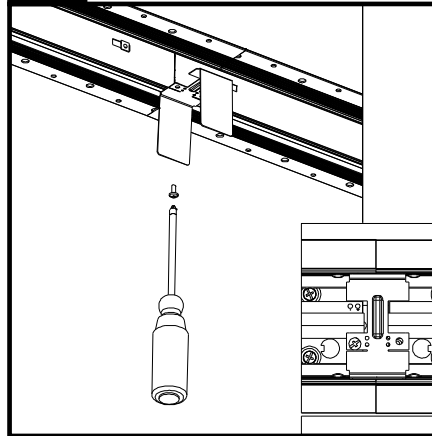
ID-39 TruGroove Drywall Trimless Installation Instructions

18 Trim Excess Cable



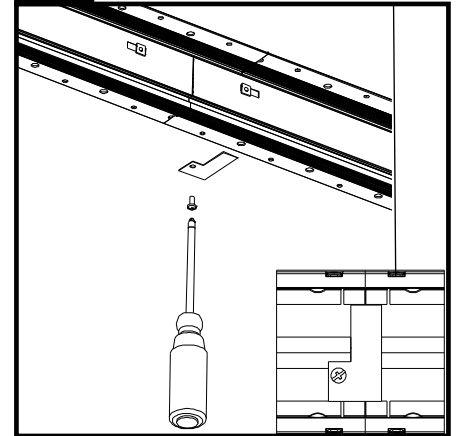
Trim suspension cable approximately 8 inches below the ceiling level. Tuck all excess cable inside the upper wiring cavity.

19a Secure Joint Cover Flush lens and Symmetric



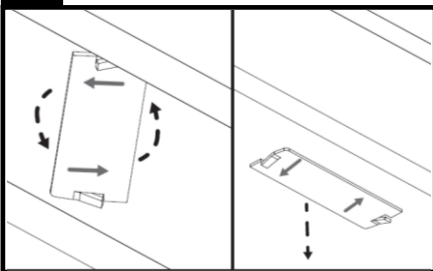
At joint location(s), secure joint covers using Philips screwdriver and supplied hardware. Ensure cover plates sit flush with bottom reflectors for proper LED board fit.

19b Secure Joint Cover Regressed lens or Asymmetric



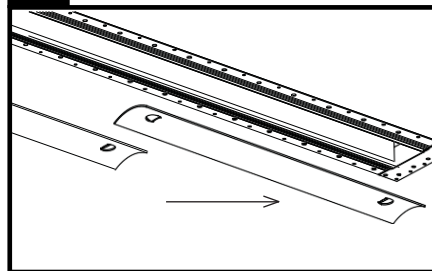
At joint location(s), secure joint covers using Philips screwdriver and supplied hardware. Ensure cover plates sit flush with bottom reflectors for proper LED board fit.

20 Remove Spacers



Rotate spacers in direction of arrows and remove. Make sure these spacers are "Not" used for any other purpose.

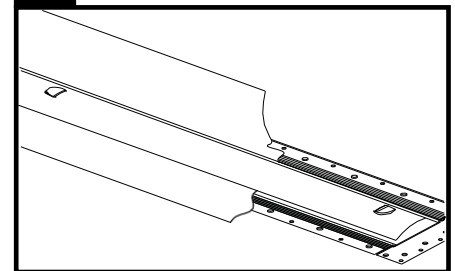
21 Insert Mud Guard



Before beginning ceiling mudding, insert the supplied mud guards into each fixture to protect fixture opening from mud and paint.

Note: Mud guards are supplied in a separate box. Please insert mud guards throughout the entire row.

22 Apply Mud Over Fixture Flange



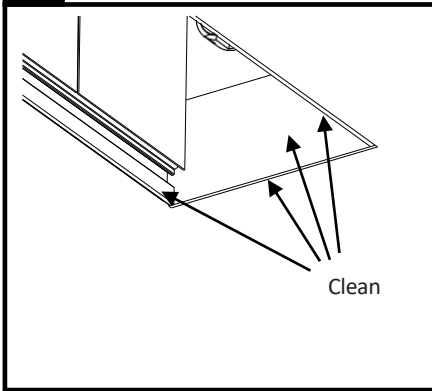
Mud over the fixture flange. When finished, use a utility knife to cut out the mud guard.

Note: Use of a taping compound is highly recommended.

! **ATTENTION: Install in accordance with local and national building and electric codes.**

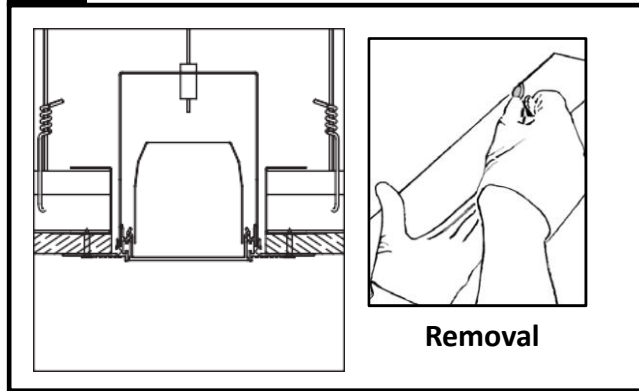
ID-39 TruGroove Drywall Trimless Installation Instructions

23 Clean Fixture Trim



Eliminate any paint or drywall compound on inside fixture trim to ensure lens will properly insert.

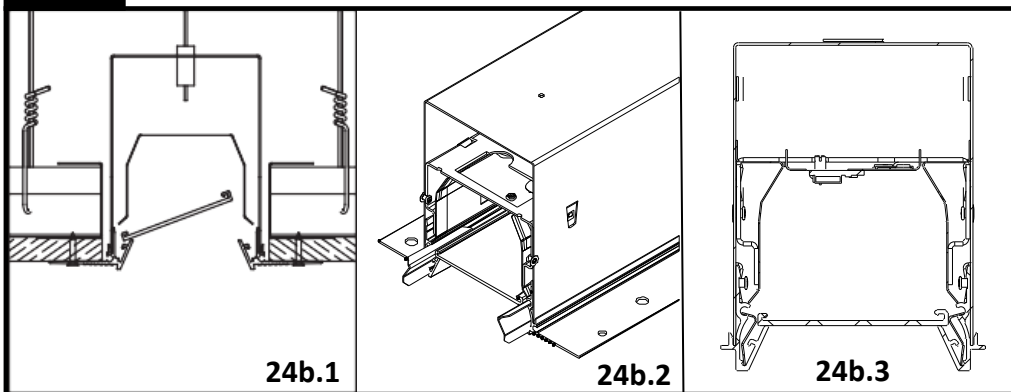
24a Flush Lens Installation and Removal



Flush Lens: Snap in lens into fixture.

Lens Removal: To remove snap-in lens for maintenance purposes, insert a flat, smooth edged object between lens and housing. Twist to release pressure and remove lens.

24b Regressed Lens Installation



Regressed Lens:

1. Angle lens to insert into fixture. Lay lens on aluminum extrusion flange, as shown in 24b.1
2. Install lens retaining clips on both sides of each end of the fixture, and ensure lens engages between lens retaining clips to center the lens, as shown in 24b.2

NOTE: Please refer to layout drawing and match up each lens based on the ID number.

! **ATTENTION:** Install in accordance with local and national building and electric codes.

ID-39 TruGroove Drywall Trimless Installation Instructions

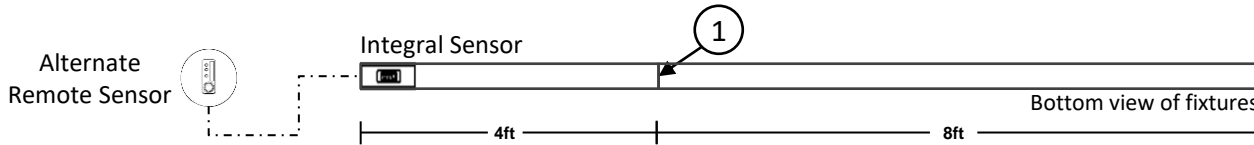
Sensors in Rows

Single Sensor Controlling Whole Row

1. Purple & brown (or purple & grey/pink) control wires **MUST** be connected between fixtures.

Note:

- A maximum of 8 drivers can be wired to one sensor; confirm fixture driver count with factory.

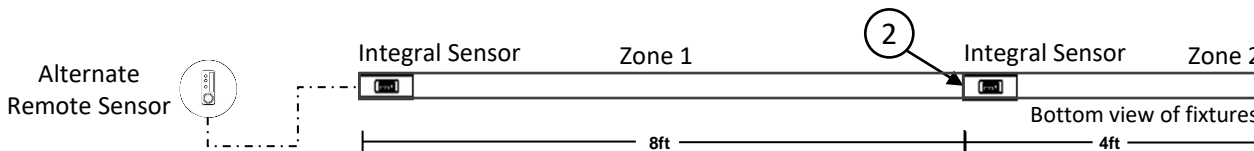


Multiple Sensors Controlling Separate Zones in a Row

2. Purple & brown (or purple & grey/pink) control wires **MUST NOT** be connected between zones.

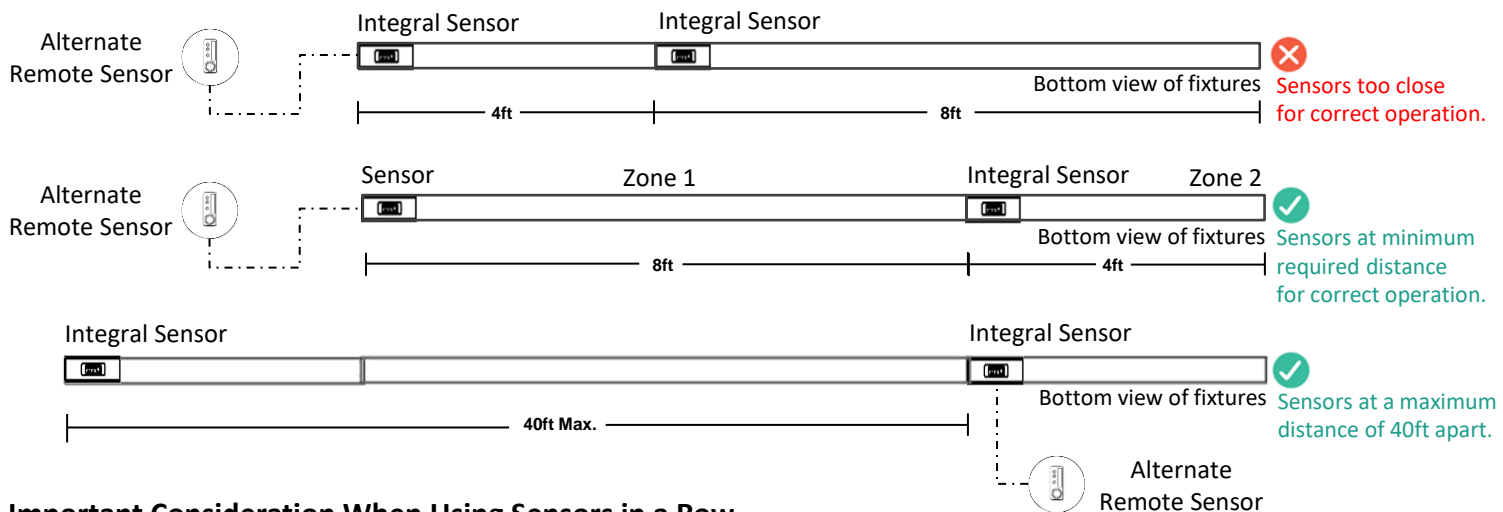
Notes:

- A maximum of 8 drivers can be wired to one sensor; confirm fixture driver count with factory.
- Only one sensor is allowed on a wired zone. (Sensors can be paired together wirelessly via a mobile app).



Sensor Spacing

- For correct operation, sensors should be placed a minimum distance of 8ft apart.
- Wireless sensors should be placed no further than 40ft apart for good wireless signal connection.



Important Consideration When Using Sensors in a Row

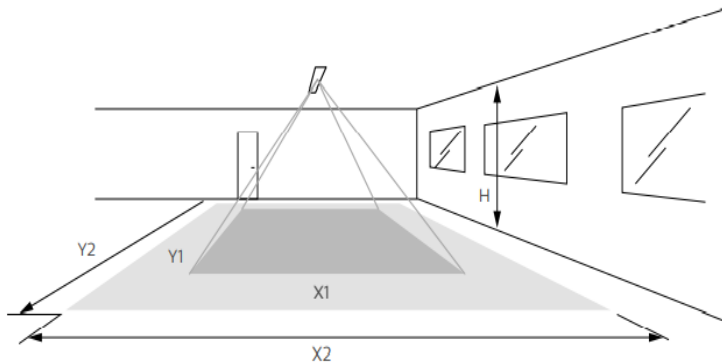
- For fixtures with wireless sensors (CS, SB or RA options):
DO NOT connect fixture purple & brown (or purple & grey/pink) control wires to an external dimming switch. Fixture mains wiring should not be connected to a circuit with an external on/off switch.
- For best aesthetic condition, place sensors at ends of row only so as not to break the continuous lens.
- For better occupancy coverage in longer rows, sensors may be placed mid run, but keep in mind this will break the continuous lens into discrete sections. Alternatively, remote sensor may be used, note the same wiring rules will apply.

! ATTENTION: Install in accordance with national and local building and electrical codes.

ID-39 TruGroove Drywall Trimless Installation Instructions

Occupancy Sensor Coverage:

Note: Longer dimension of detection area (Y1, Y2) is parallel to longer dimension of the luminaire.



Height	Minor movement		Major movement	
h	X1	Y1	X2	Y2
2.4 m (7.9 ft)	1.9 m (6.2 ft)	2.9 m (9.5 ft)	2.9 m (9.5 ft)	4.3 m (14.1 ft)
3 m (9.8 ft)	2.4 m (7.9 ft)	3.6 m (11.8 ft)	3.6 m (11.8 ft)	5.4 m (17.7 ft)

The detection area for the movement sensor can be roughly divided into two parts:

- Minor movement (person moving $\leq 3\text{ft/s}$ or 0.9m/s).
- Major movement (person moving $\geq 3\text{ft/s}$ or 0.9m/s).

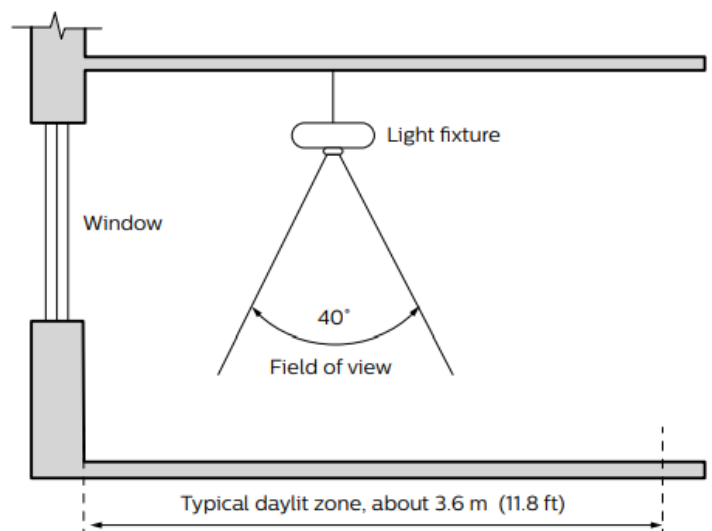
Daylight sensor

The light sensor measures the total amount of light in a circular field of approximately 80% of the PIR detection area. The following aspects should be observed during installation:

- Minimum distance from the window $\geq 2\text{ft}$ (0.6m).
- Prevent light reflections from outside entering the sensor (for example sunlight reflection on a car hood) as this will lead to incorrect light regulation.

As a guideline the formula $0.72 \times H$ can be used to calculate the minimum distance between the window and sensor whereby H is the height from the bottom of the window to the sensor.

Photosensor spatial response



! ATTENTION: Install in accordance with local and national building and electric codes.

