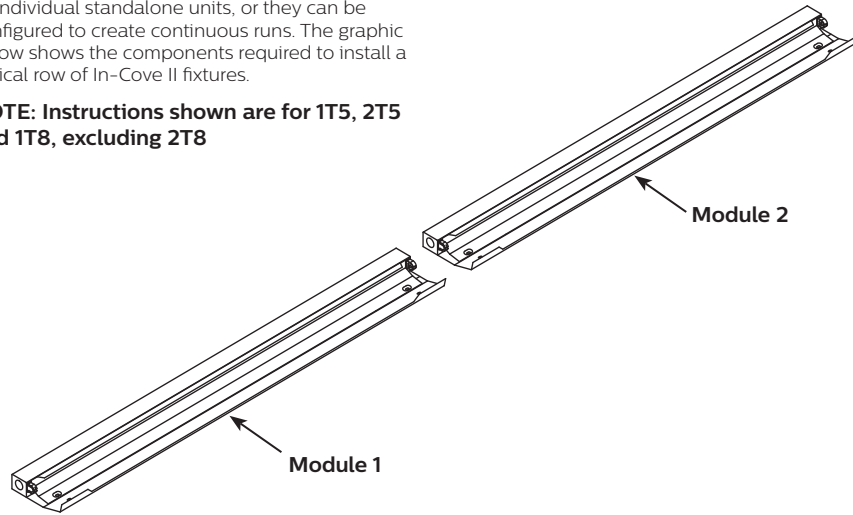


System Overview

These instructions review how to install In-Cove II fixtures. In-Cove II modules can be installed as individual standalone units, or they can be configured to create continuous runs. The graphic below shows the components required to install a typical row of In-Cove II fixtures.

Note: 1 lamp T5 shown



NOTE: Instructions shown are for 1T5, 2T5 and 1T8, excluding 2T8

TOOLS REQUIRED: Phillips screwdriver

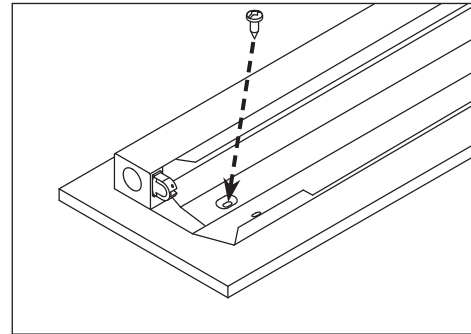
Module Lengths

In-Cove II systems come in 2, 3, 4, 6, and 8ft modules. Overall module lengths are shown below for each lamping option.

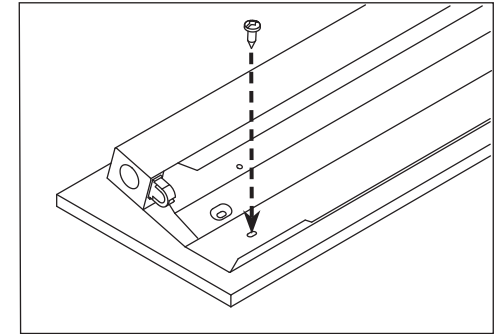
Nominal row length	1 T5	2 T5	1 T8
2'	1'-11"	1'-11"	2'
3'	2'-10½"	2'-10½"	3'
4'	3'-10½"	3'-10½"	4'
6'	5'-9"	5'-9"	6'
8'	7'-9"	7'-9"	8'

Mounting options

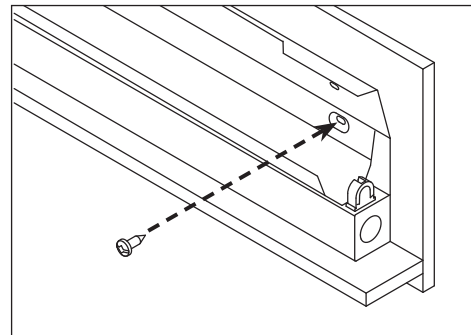
Different mounting options are available. Fixtures can be mounted either horizontally or vertically in two different positions (see below). Prior to installation, refer to building drawings to ensure correct placement.



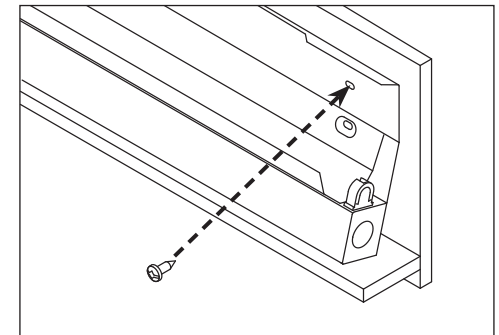
HORIZONTAL MOUNTING, Position A



HORIZONTAL MOUNTING, Position B



VERTICAL MOUNTING, Position A



VERTICAL MOUNTING, Position B

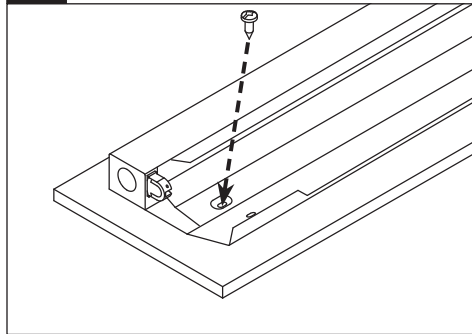


ATTENTION: Install in accordance with national and local building and electrical codes.

1 Unpack / prepare fixtures

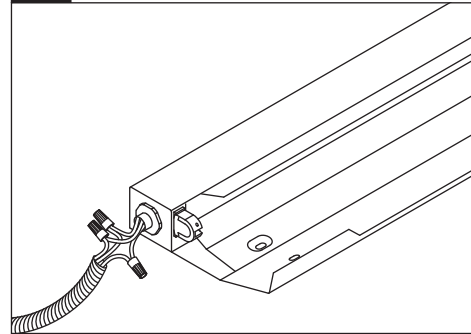
Arrange boxed fixtures on floor in specified mounting locations; remove fixtures from boxes.

2 Mount and install first fixture



After determining mounting position (see page 1), secure first fixture using appropriate fasteners through slots in housing (as shown above).

3 Complete electrical connections at end

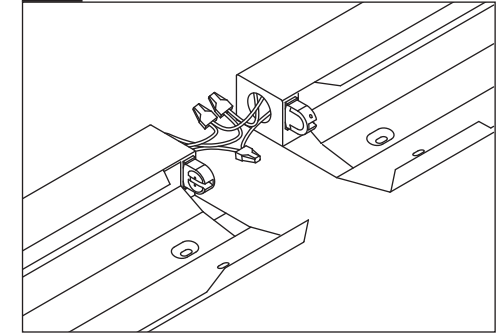


POWER LOCATIONS: Install power to fixture leads using pre-installed connectors or wirenuts (supplied by others).

NON-POWER LOCATIONS: Cap all wires and tuck into wire cavity. At end of run, cap hole using 1/2" (for 7/8" hole) knock-out plug (supplied by others).

NOTE: Power feed connections can also be made through back of fixture by removing the required knockout.

4 Install additional fixtures



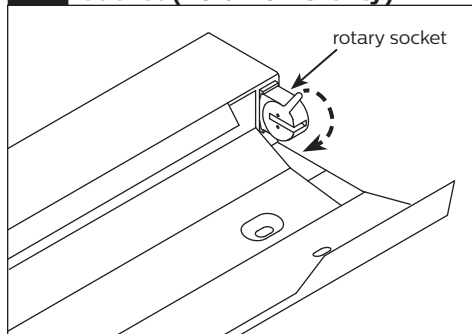
For each additional fixture, complete power connections (see step 3). Tuck connections into fixture. Slide fixtures together and secure each additional fixture using appropriate fasteners through slots in housing.

IMPORTANT: Maintain flush fit between fixtures.

5 Finishing

Lamp fixtures (see instruction A for T5 option)
Secure all components: Ensure all components are secure and installed according to code.

A Secure lamps with rotary socket (T5 & T5HO only)



Insert lamps into fixtures. Rotate red clip on rotary socket downwards to secure lamp.



ATTENTION: Install in accordance with national and local building and electrical codes.