

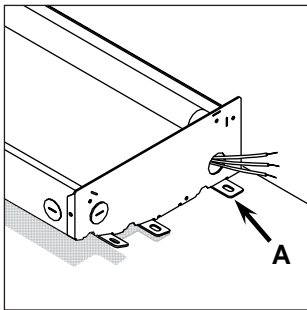


Materials Required

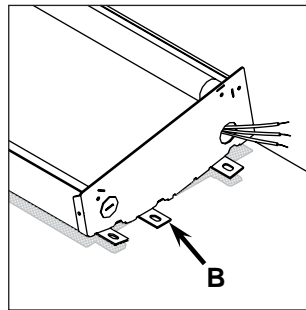
- Screws - 2 for first unit and 1 for each additional unit
- Appropriate screwdriver(s)
- 1/2" (for 7/8" hole) knock-out seal - 1 required for each end of row
- Wire nuts - 3 for each fixture and 3 for each power connection
- Flexible conduit connector - Part #L16ST AC90, 1 required for each power connection
- BX Cable - required for corners and if fixture is mounted in a radial pattern.

Step #1

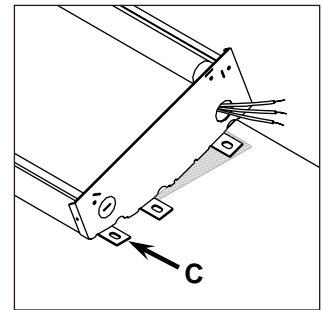
- Determine desired direction of light and orientation for mounting (electrical engineer to specify.)
- Install first fixture using appropriate fasteners in mounting tab A, B, or C for desired peak beam.



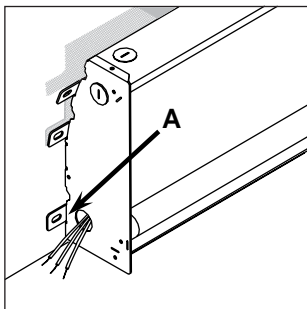
Horizontal Mounting
Peak Beam at 125 Degrees



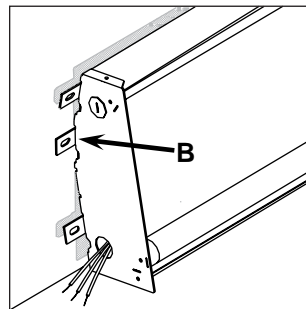
Horizontal Mounting
Peak Beam at 115 Degrees



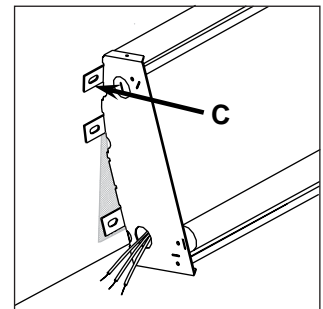
Horizontal Mounting
Peak Beam at 105 Degrees



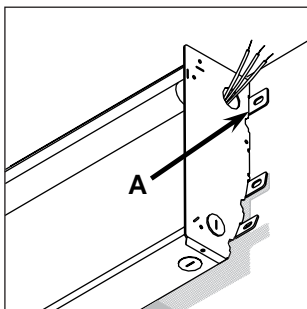
Vertical -Up Mounting
Peak Beam at 145 Degrees



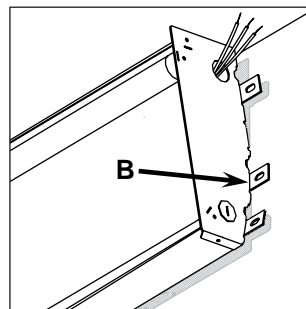
Vertical -Up Mounting
Peak Beam at 155 Degrees



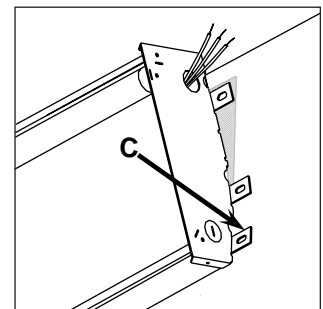
Vertical -Up Mounting
Peak Beam at 165 Degrees



Vertical -Down Mounting
Peak Beam at 35 Degrees



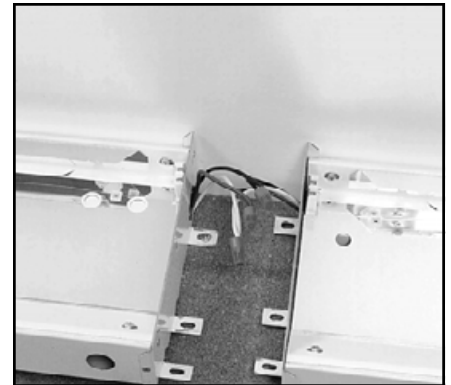
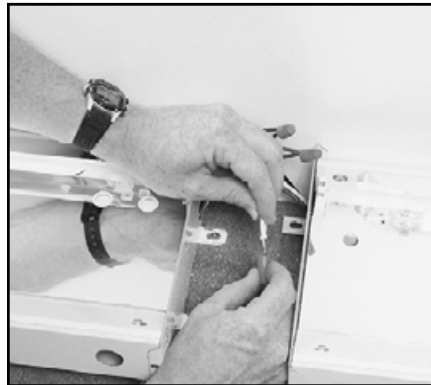
Vertical -Down Mounting
Peak Beam at 25 Degrees



Vertical -Down Mounting
Peak Beam at 15 Degrees

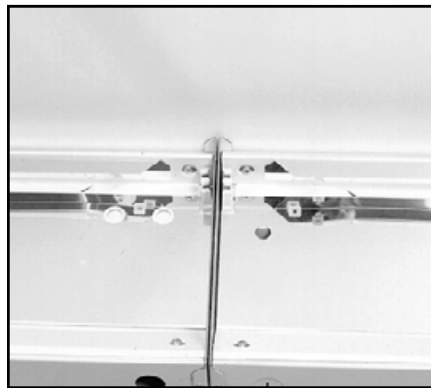
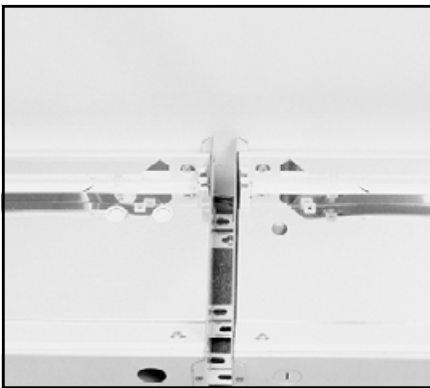
Step #2

A) Make power connections ensuring wires are properly matched. Tuck connections into fixture. (Bushings are not required in endplates.)



Step #3

A) Align tabs with slots in previous fixture and slide fixtures together. Secure with screw in appropriate mounting tab at opposite end. Repeat for remaining fixtures in row.

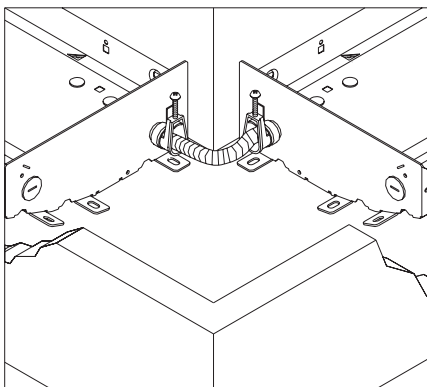


B) At end of row cap wires and tuck into fixture. Cap hole using 1/2" knock-out seal.

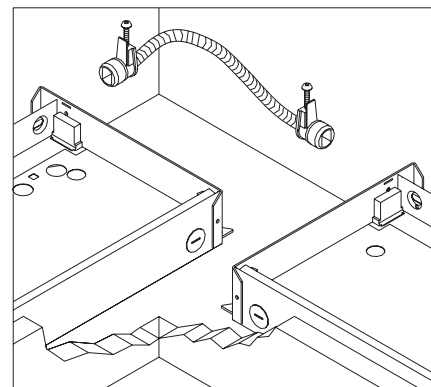
NOTE: Fixtures mounted in a radial pattern must have appropriate protection at exposed connections.

Installation At A Corner

At a corner, power connections can be made using BX cable and connectors:



Inside Corner



Outside Corner

ATTENTION!

INSTALL IN ACCORDANCE
TO ALL NATIONAL AND
LOCAL ELECTRICAL AND
BUILDING CODES