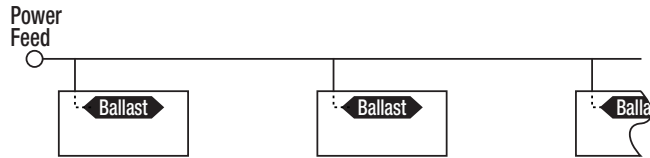


Recessed Fluorescent

Shine (33), PureFX (94), Vectra (97) and Voice (98)

Standalone
Installation Instructions

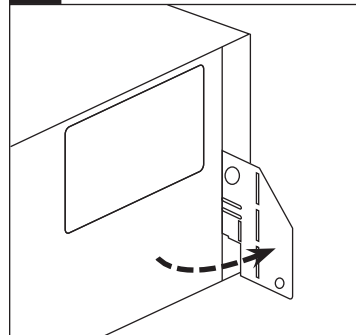


Every fixture contains its own ballast and receives a direct power feed.

! DRYWALL & AIR RETURN

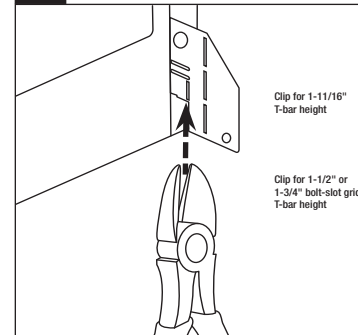
If installing in DRYWALL or if fixture includes AIR RETURN, some steps on this instruction sheet may not be applicable. Refer to separate drywall and air return instruction sheets.

1 Bend mounting tab



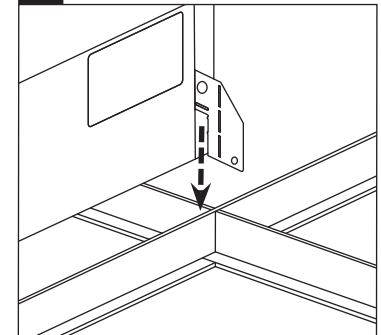
Bend out mounting tab 90 degrees on each corner.

2 Adjust height of tab



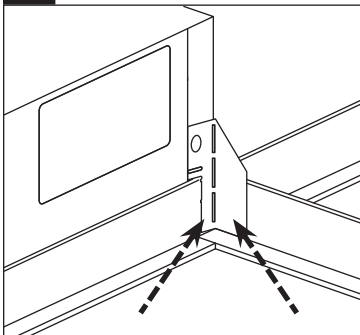
Use side cutters to adjust each tab to height of T-grid.

3 Lay fixture into T-grid



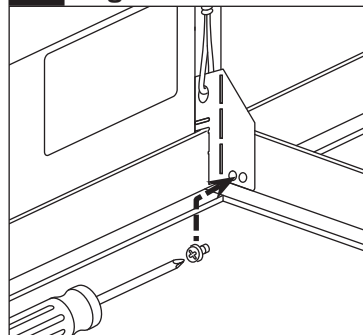
Lay fixture into T-grid.

4 Bend tabs flush



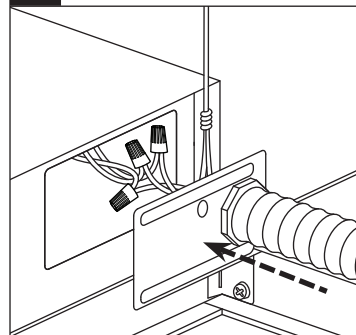
Bend tabs flush against T-grid in order to clear corner for ceiling tile.

5 Fasten fixture to T-grid



Use a #8x1/4" sheet metal screw to fasten fixture to T-grid and use a hanger wire to tie off appropriately in accordance with local building codes (screws and hanger wires supplied by others).

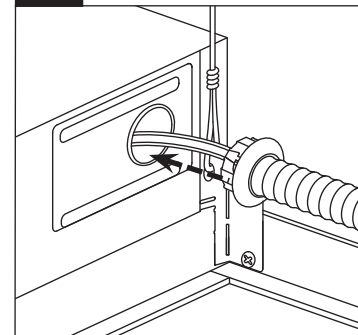
6 Electrical connections



Make all electrical connections to the fixture.

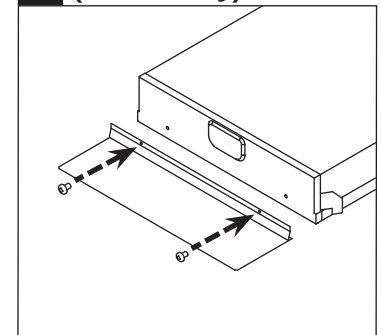
Note: For flex whip option, see Step 6a.

6a Flex whip (optional)



Optional Flex whip is prewired inside fixture. Remove packaging and insert snap-in fitting into wiring cover. Complete electrical connections at other end of whip in accordance with local building codes.

7 Filler panels (20"x4' only)



Attach filler panels to ends of housings using two supplied screws shown above.



ATTENTION: Install in accordance with national and local building and electrical codes.