

Recessed Fluorescent

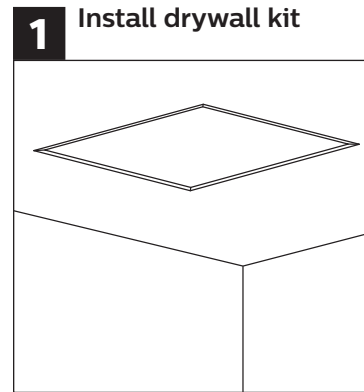
Shine (33), PureFX (94), Vectra (97) and Voice (98)

Installation in Drywall or Ceilings
Requiring Flanges

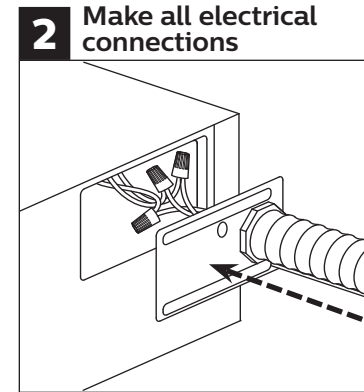


! **IMPORTANT**

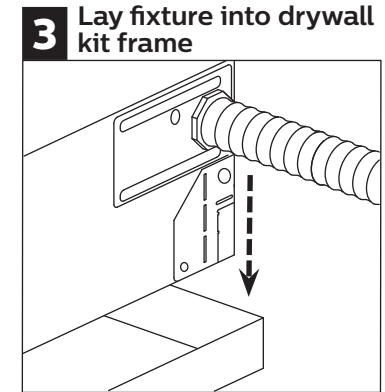
If you are installing any configuration type other than standalone, additional steps are required for wiring. Please refer to the installation instructions for that configuration type to determine wiring requirements.



Install drywall kit frame in ceiling. Refer to Drywall Kit specification sheet for mounting options and ceiling opening sizes.



Make all electrical connections to the fixture. Attach wire access cover plate.



Lay fixture into drywall kit frame.

Pique, PureFX, Vectra and Voice Fixtures only

4a **Open lens frame**

Note: Step 4a applies to Pique, PureFX, Vectra and Voice fixtures. For Shine, see step 4b.

Push up on center channel of lens frame and shift in direction of hinges. Lens frame will then swing open in a downward direction. If fixture has lens frame restraint, release by pressing inwards.

5a **Fasten fixture**

Note: Step 5a applies to Pique, PureFX, Vectra and Voice fixtures. For Shine, see step 5b.

Use a #8x1/4" sheet metal screw (supplied by others) to fasten fixture to drywall kit frame from inside of housing. Repeat on each corner.

Shine Fixtures only

4b **Slide lens open**

Note: Step 4b applies to Shine fixtures only. For all other recessed, see step 4a.

To access the inside of the fixture, lift one side lens and shift it over onto the top of the other lens.

5b **Fasten fixture**

Note: Step 5b applies to Shine fixtures only. For all other recessed, see step 5a.

Use a #8x1/4" sheet metal screw (supplied by others) to fasten fixture to drywall kit frame from inside of housing. Repeat on each corner of exposed side, then move lens back into position and repeat Steps 4b and 5b on other side.

! **ATTENTION: Install in accordance with national and local building and electrical codes.**