

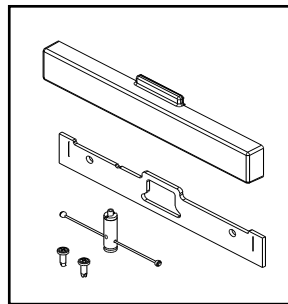
System Overview

These instructions review how to install FloatPlane suspended fixtures. 4ft, 6ft and 8ft modules can be installed as individual standalone units, or they can be joined together to create continuous runs. The graphics below show the components required to install a typical run of FloatPlane suspended fixtures.

IMPORTANT: Read all instructions including fixture/sensor wiring AND mechanical details before beginning installation.

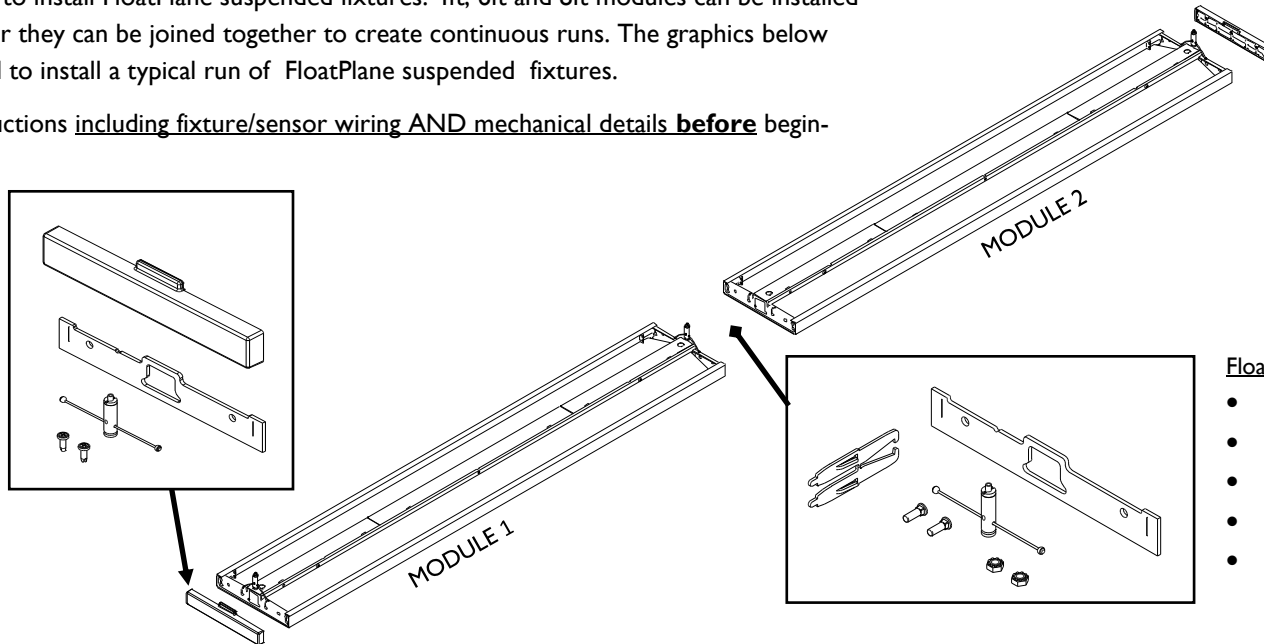
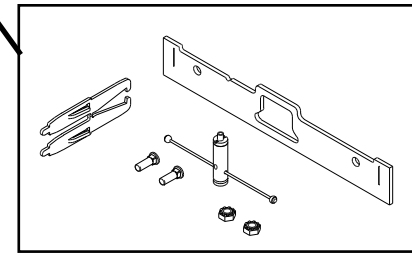
FloatPlane Endcap Kits

- Endcap
- Foam gasket
- Sling cable assembly
- #8-32 x 1/2" screws (x2)



FloatPlane Joint Kit(s)

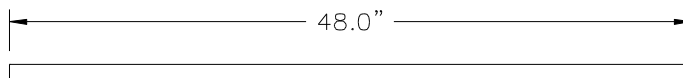
- Sling cable assembly
- Joiner aligner pair
- Foam gasket
- #10-24 x 9/16" bolts (x2)
- #10-24 nuts (x2)



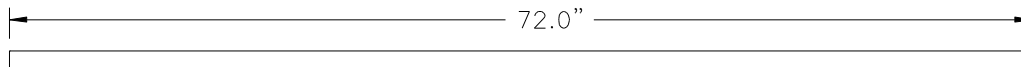
Module Lengths

FloatPlane suspended fixtures come in 4ft, 6ft and 8ft modules. Overall module lengths are shown below. Add 9/16" for each EDGE endcap or 1" for each CURVE endcap.

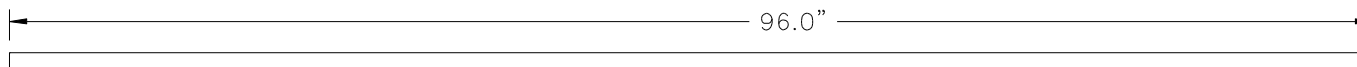
4FT Module
w/o endcaps



6FT Module
w/o endcaps



8FT Module
w/o endcaps



Tools Required:

- Medium Flat blade Screwdriver
- Medium Phillips Screwdriver
- 3/8" Nut driver

Mount Spacing

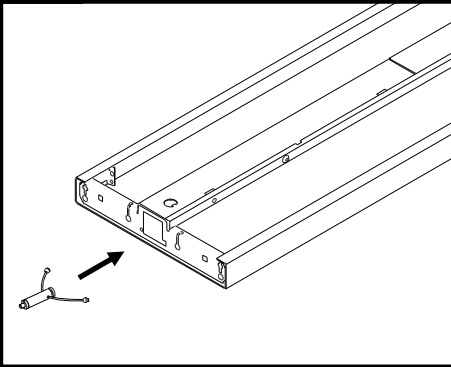
FloatPlane fixture modules are designed for exact on-grid mounting.

! ATTENTION: Install in accordance with national and local building and electrical codes.

Page 1

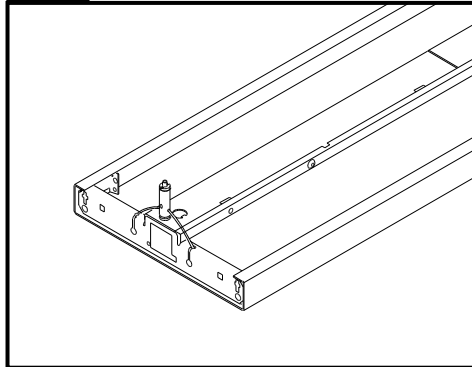
1 Arrange boxed fixture on floor in specified mounting location, remove fixtures from boxes. Install all ceiling mounting components and vertical aircraft cables using separate installation instruction for Aircraft Cable Mounting (supplied).

2a Install cable gripper



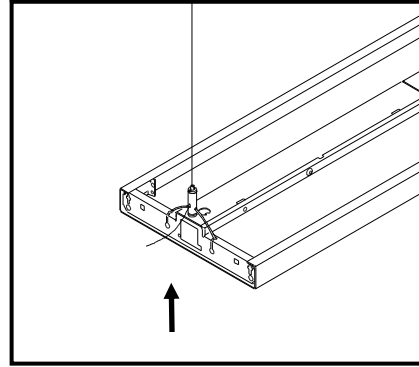
Insert sling cable gripper into crossplate holes as shown.

2b



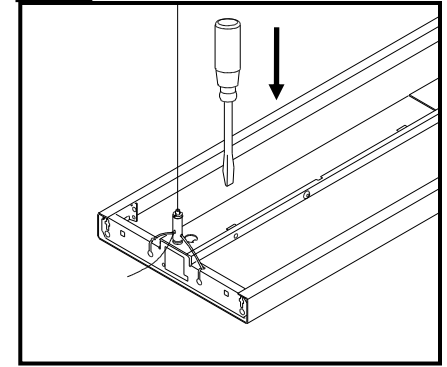
Pivot the cable gripper up. Repeat at other end of light fixture.

3 Suspend fixture



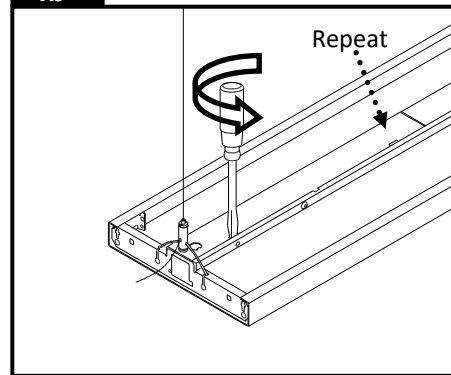
With 2 people, raise the fixture up to the suspension cables and feed through grippers. Set fixture to desired height.

4a Open access panel



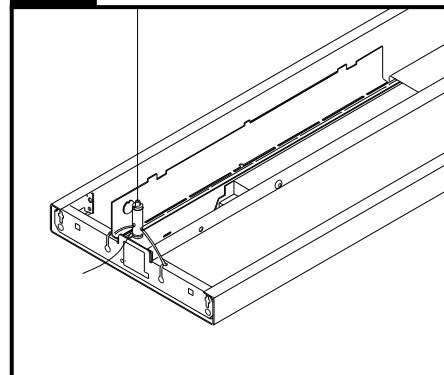
Identify power feed location on fixture. Insert a medium size flat blade screwdriver into slots on access panel.

4b



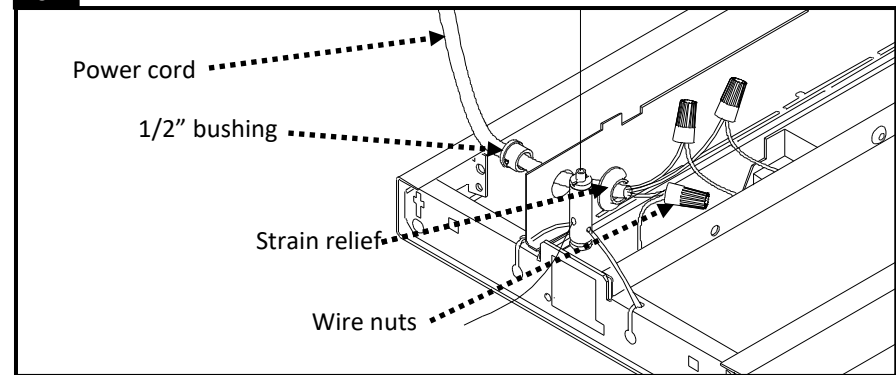
Twist the screwdriver and the tab on the access panel will POP UP. Repeat steps 4 at the other tab on the access panel.

4c



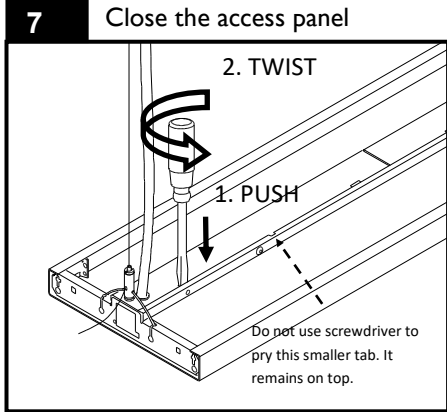
Open the electrical panel to access the wiring cavity.

5 Power Cord Installation

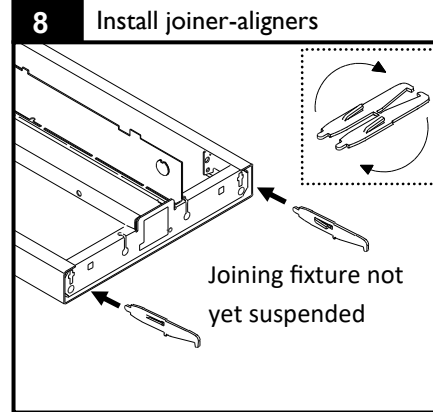


Insert supplied 1/2" bushing into 1/2" electrical knockout on access panel. Route supplied power cord through bushing. Crimp supplied strain relief onto power cord insulation (recommend Heyco Tool PN0019(R12). Ensure power cord does not have excess slack or is too tight. Complete necessary electrical connections (by others) in compliance with local codes.

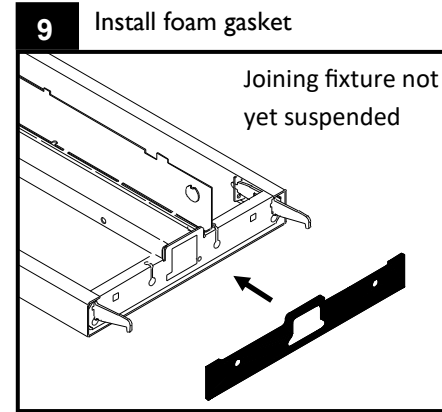
! ATTENTION: Install in accordance with national and local building and electrical codes.



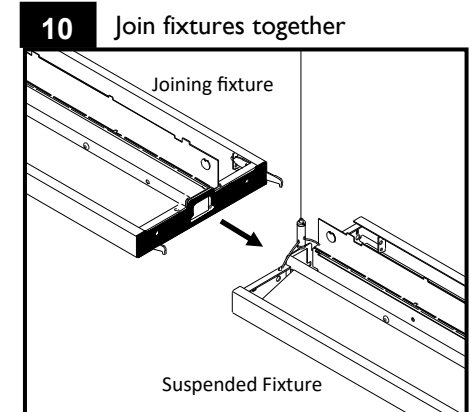
Ensure the electrical connectors are tucked inside the wire cavity. Push down on the lid while simultaneously twisting the flat blade screwdriver, the panel tab will lock into place. Repeat at the other screwdriver slot location. For standalone fixtures skip ahead to step 12.



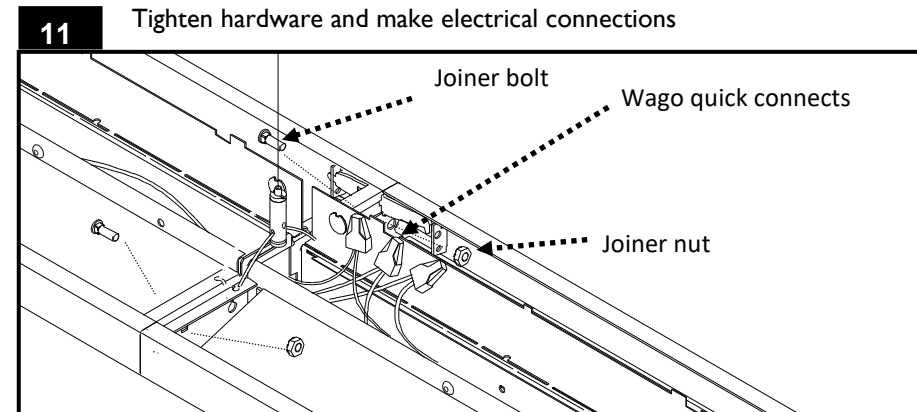
Prepare the joining fixture by twisting apart the joiner pair and inserting into crossplate (DO NOT INSERT INTO THE FIXTURE ALREADY SUSPENDED). Open the wire access panel of the joining fixture.



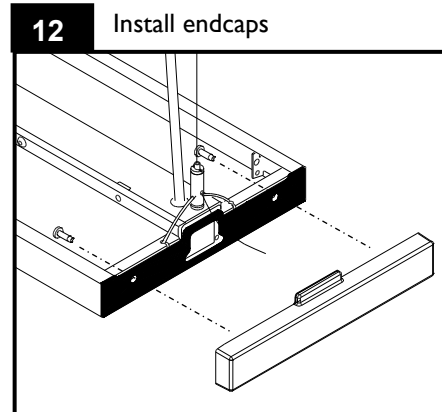
Insert the foam gasket onto the fixture end. Slide the gasket over joiner pair and ensure the gasket is firmly seated inside the housing.



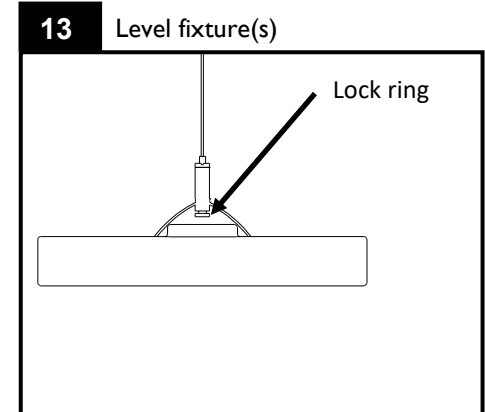
With two people, insert the joining fixture into the suspended fixture. The joiner pair will engage into the suspended fixture crossplate. Support the other end of the joining fixture with a suspension cable as in steps 2-3.



Ensure both fixtures are horizontal and suspended at the same height. Snug jointing nuts using 3/8" nut driver, align the fixture housings for best aesthetic before final tightening. Complete necessary electrical connections in compliance with local codes. Close all wire access panels (step 7) when complete.



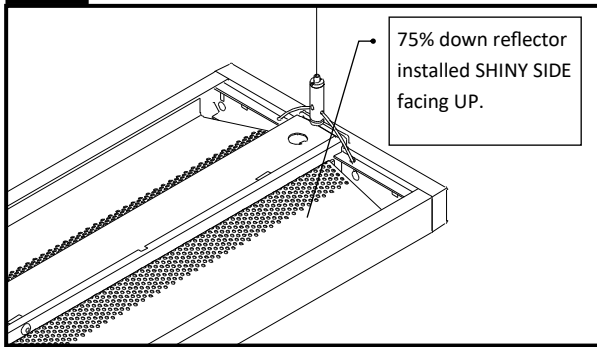
Insert the foam gasket onto the fixture end and ensure the gasket is firmly seated inside the housing. Using supplied Phillip screws, snug the endcap in place. Align the endcap to fixture housing before final tightening. Cut excess suspension cable if necessary.



Loosen cable gripper lock ring, adjust sling mount(s) to level fixtures. Tighten lock ring when complete at all mount locations. Cut excess suspension cable if necessary.

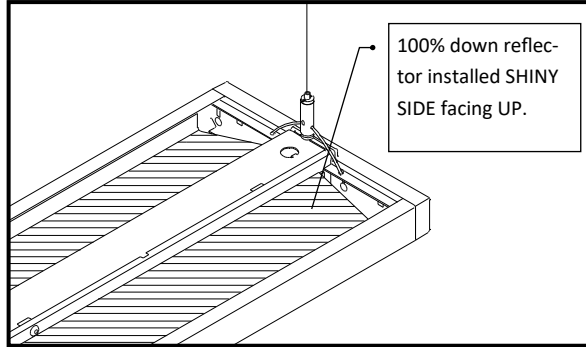
ADDITIONAL INFORMATION

A Optional 75% down reflector



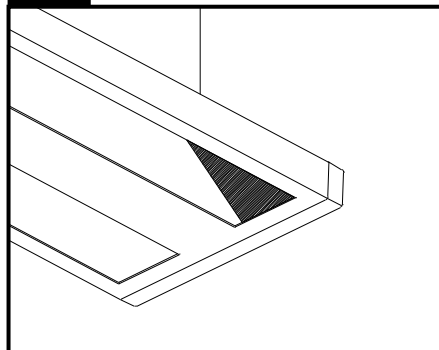
FloatPlane Fixtures available with a factory installed, perforated 75% down reflector. For best optical performance, reflector must be installed as shown, SHINY SIDE facing UP. Note the 75% down reflector is installed on top of clear acrylic upper diffuser.

B Optional 100% down reflector

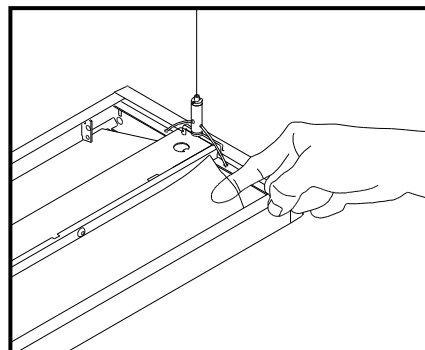


FloatPlane Fixtures available with a factory installed, solid 100% down reflector (shown as hatched lines). For best optical performance, reflector must be installed SHINY SIDE facing UP. Note the 100% down reflector is installed on top of clear acrylic upper diffuser.

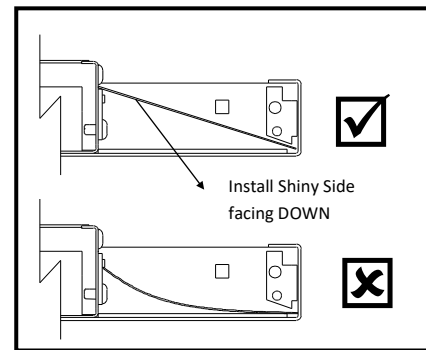
C Removing & re-installing the upper diffuser



If the fixture is mis-handled during installation, a shadow may appear in the luminous window. This is caused by the upper diffuser being pushed below the LED.



Insert finger underneath the upper diffuser and gently pry the panel free along the length.



Re-install the upper diffuser (SHINY SIDE facing DOWN). If applicable, install optional 75 or 100% downlight reflectors on top of upper diffuser in correct orientation.



For circuit sizing, refer to commissioned & uncommissioned ratings on product power label / specification sheet.

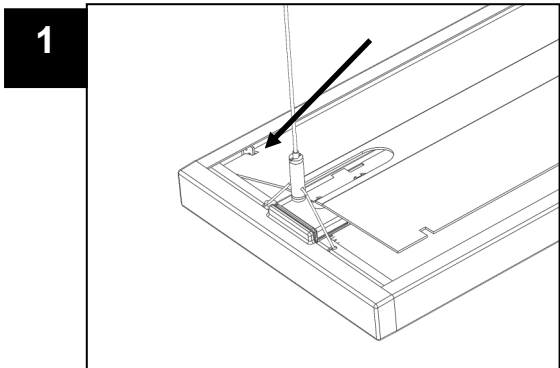
Note: Tunable White luminaires must be commissioned with a Philips Dynalite control system to enable tunable functionality.



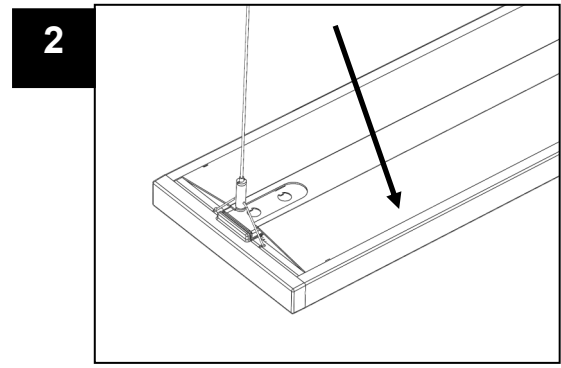
ATTENTION: Install in accordance with national and local building and electrical codes.

Dustcover

Dustcovers for FloatPlane suspended fixtures can be installed as follows.



Secure one side of the Dustcover under the side edge.

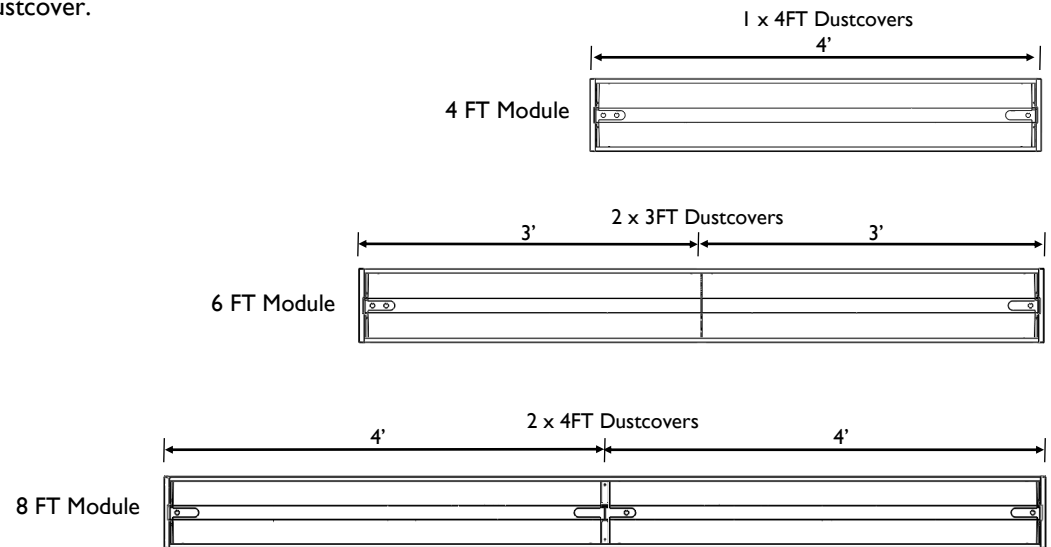


Slide and secure the opposite edge of the Dustcover.

This equipment has been tested and found to comply with the limits for a Class A digital device, pursuant to part 15 of the FCC Rules. These limits are designed to provide reasonable protection against harmful interference when the equipment is operated in a commercial environment. This equipment generates, uses, and can radiate radio frequency energy and, if not installed and used in accordance with the instruction manual, may cause harmful interference to radio communications. Operation of this equipment in a residential area is likely to cause harmful interference in which case the user will be required to correct the interference at his own expense.

Module Lengths

FloatPlane suspended fixtures come in 4ft, 6ft and 8ft modules. The assembly of Dustcovers on the different module lengths are shown below.



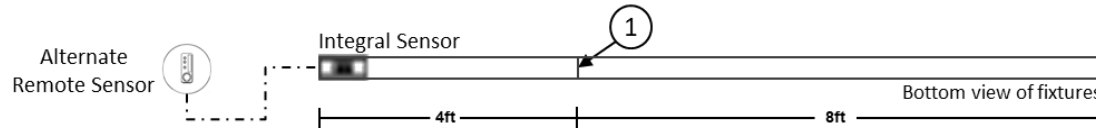
Sensor in Rows

Single Sensor Controlling Whole Row

1. Purple & brown (or purple & grey/pink) control wires **MUST** be connected between fixtures.

Note :

- A maximum of 8 drivers can be wired to 8 sensors; confirm fixture driver count with factory.



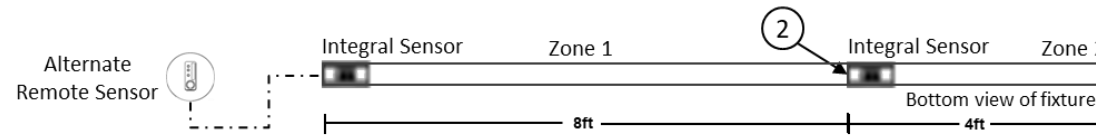
Multiple Sensors Controlling Separates Zones in a Row

2. Purple & brown (or purple & grey/pink) control wires **MUST NOT** be connected between zones.

Notes :

- A maximum of 8 drivers can be wired to one sensor; confirm fixture driver count with factory.

- Only one sensor is allowed on a wired zone. (Sensors can be paired together wirelessly via a mobile app).



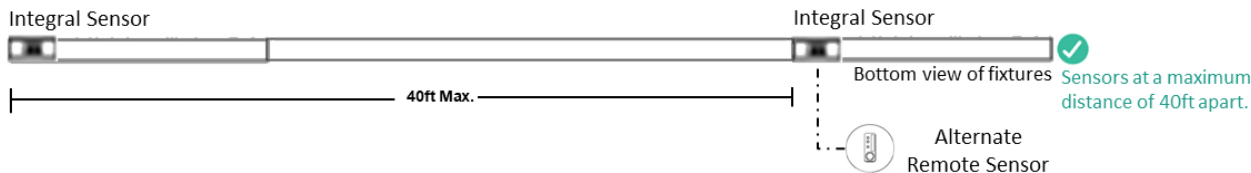
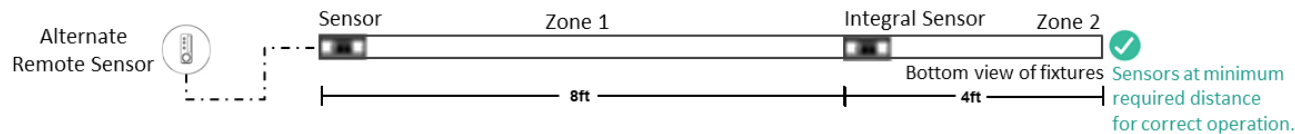
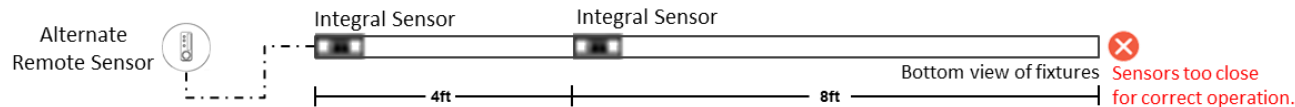
Important Consideration When Using Sensor in a Row

- For fixtures with wireless sensors (CS, SB or RA options): **DO NOT** connect fixture purple and brown (or purple & grey/pink) control wires to an external dimming switch. Fixture mains wiring should not be connected to a circuit with an external on/off switch.
- For best aesthetic condition, place sensors at ends of row only so as not to break the continuous lens.
- For better occupancy coverage in longer rows, sensors may be placed mid run, but keep in mind this will break the continuous lens into discrete sections. Alternatively, remote sensors may be used, note the same wiring rules will apply.

Sensor Spacing

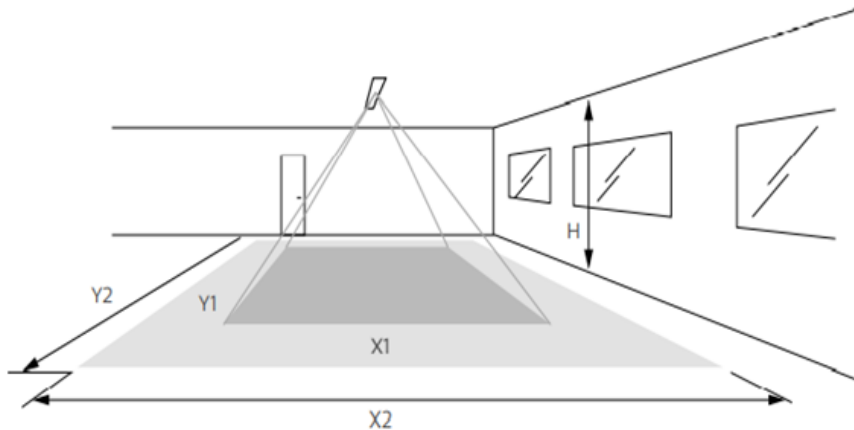
- For correct operation, sensor should be placed a minimum distance of 8ft apart.

- Wireless sensor should be placed no further than 40ft apart for good wireless signal connection.



Occupancy Sensor Coverage:

Note: Longer dimension of detection area (Y1, Y2) is parallel to longer dimension of the luminaire.



Daylight Sensor

The light sensor measures the total amount of light in a circular field of approximately 80% of the PIR detection area. The following aspects should be observed during installation:

- Minimum distance from the window $\geq 2\text{ft}$ (0.6m).
- Prevent light reflections from outside entering the sensor (for example sunlight reflection on a car hood) as this will lead to incorrect light regulation.

As a guideline the formula $0.72 \times H$ can be used to calculate the minimum distance between the window and sensor whereby H is the height from the bottom of the window to the sensor.



Height	Minor movement		Major movement	
h	X1	Y1	X2	Y2
2.4 m (7.9 ft)	1.9 m (6.2 ft)	2.9 m (9.5 ft)	2.9 m (9.5 ft)	4.3 m (14.1 ft)
3 m (9.8 ft)	2.4 m (7.9 ft)	3.6 m (11.8 ft)	3.6 m (11.8 ft)	5.4 m (17.7 ft)

The detection area for the movement sensor can be roughly divided into two parts;

- Minor movements (person moving $\leq 3\text{ft/s}$ or 0.9m/s).
- Major movements (person moving $\geq 3\text{ft/s}$ or 0.9m/s).

Photosensor spatial response

