



by Signify

Linear

TruGroove Recessed Micro

ID-23 Drywall Corners

### System Overview

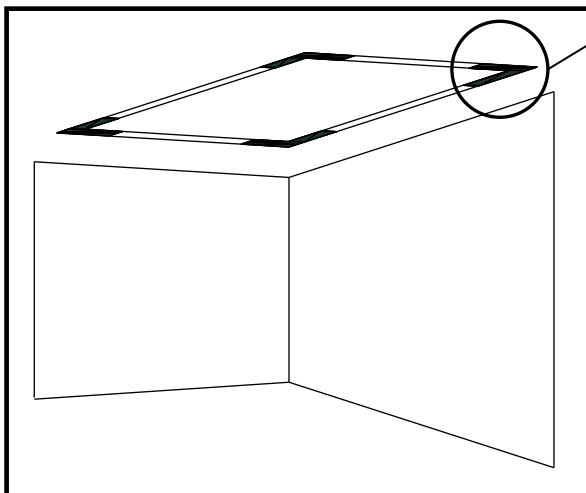
These instructions review how to install drywall versions of TruGroove recessed micro corners. Please refer to layout drawings supplied by Ledalite with these installation instructions. These instructions must be used in conjunction with TruGroove recessed micro Drywall Ceiling Standalone and Continuous Run Installation Instructions. The graphics below show the corner types available, and steps required to correctly install TruGroove recessed micro corners in drywall ceilings. These instructions apply to trim and trimless TruGroove product configurations.



**IMPORTANT:** Read all instructions including fixture/sensor wiring AND mechanical details **before** beginning installation.

### Ceiling Cutout Information

**IMPORTANT:**  
Continuous run ceiling and wall cutout dimensions shown below come from supplied layout drawings. Layout drawings for all patterns show dimensions to corner centers. Framing, ceiling and wall preparation must be done according to provided layout drawing pattern leg dimensions and detailed instructions.

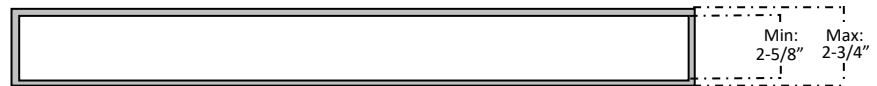


**Flat corner in-ceiling**

**IMPORTANT:**

Identify each fixture type and location before installing any fixture in ceiling.

#### Ceiling Cutout Details



**IMPORTANT INSTALLATION STEPS (TRIMLESS VERSION):** 1. Install required mounting brackets (if applicable) and power feed. 2. Install framing/blocking as per supplied layout drawings and instructions. 3. Install drywall. 4. Install all lighting fixtures. 5. Install corner bead(s) and tape. 6. Mud, sand and finish wall(s) and ceiling(s).

**! ATTENTION: Install in accordance with local and national building and electric codes.**

*This equipment has been tested and found to comply with the limits for a Class A digital device, pursuant to part 15 of the FCC Rules. These limits are designed to provide reasonable protection against harmful interference when the equipment is operated in a commercial environment. This equipment generates, uses, and can radiate radio frequency energy and, if not installed and used in accordance with the instruction manual, may cause harmful interference to radio communications. Operation of this equipment in a residential area is likely to cause harmful interference in which case the user will be required to correct the interference at his own expense.*

**Important Notes**


**i Installation Notes**

- ‘C’ Channels (or equivalent) must be properly braced to ensure accuracy of cut-out in drywall.
- Use appropriate tools to outline specified dimensions of ceiling cut-out to ensure straightness of cutting.
- Lens will not insert properly if fixture trim has mud or paint build-up.

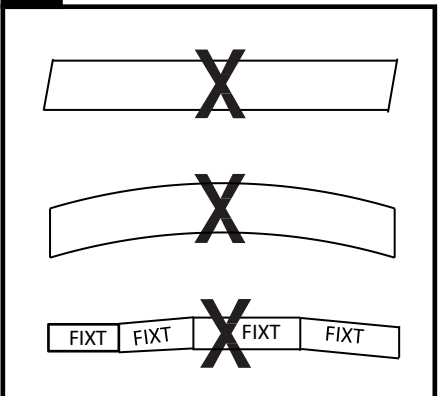
**⚠ Warning, Shock Hazard**

Fixture must be connected to building ground via the provided ground wire before connecting to mains power supply.

Disconnect or turn off power before attempting any installation, service or maintenance.



**! Avoid**



FIXT = FIXTURE MODULE

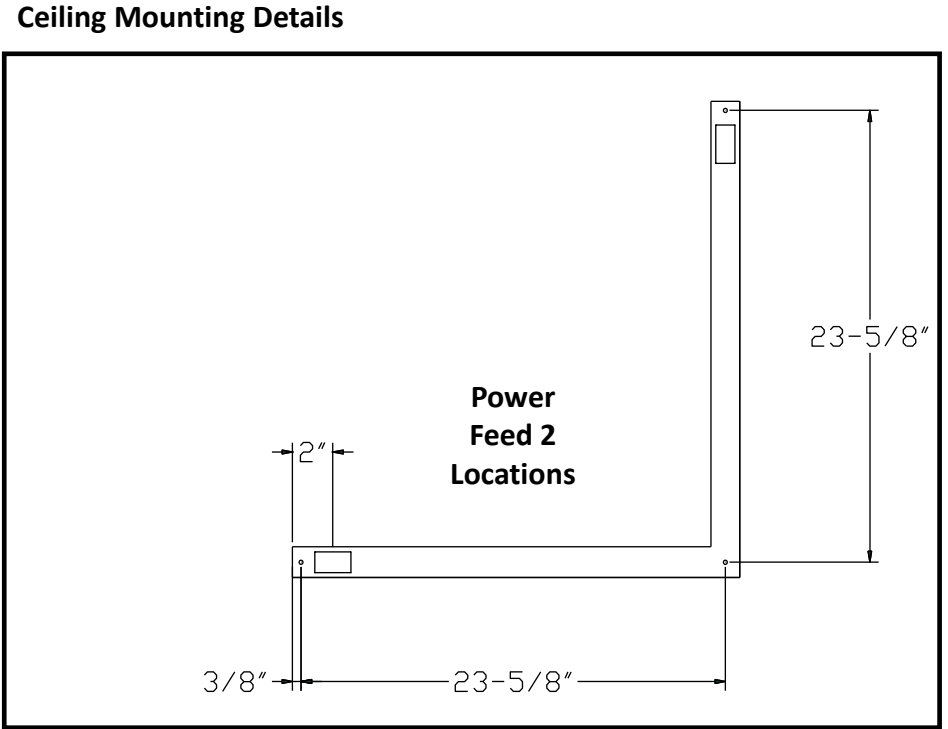
The straightness and accuracy of the cut-out in the drywall is crucial in ensuring proper fit for the fixture.

**Flat Corner In-Ceiling**

For continuous run fixtures, the cut-out in the drywall ceiling should be measured and cut as shown on page 2 and 3. Refer to Drywall Ceiling Standalone and Continuous Run Installation Instruction for fixture mounting locations details.

Determine corner location and refer to figure A for specific in-ceiling corner mounting dimensions.

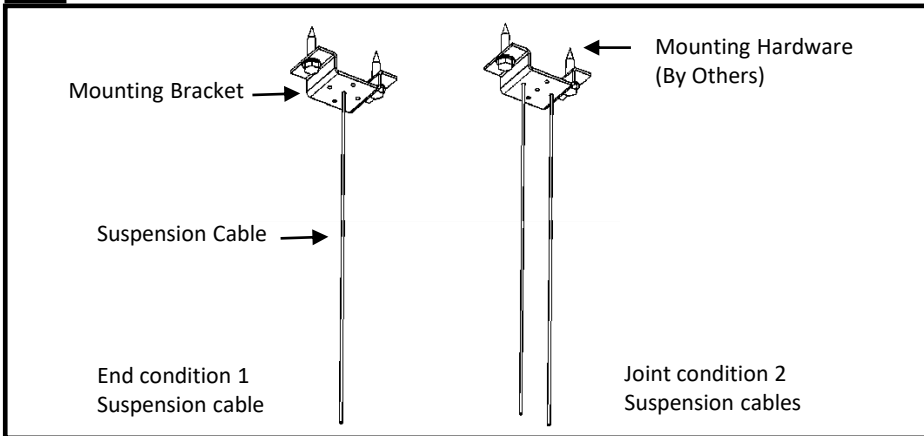
NOTE: Flat corners installed in ceiling require 3 mounting locations



**! ATTENTION: Install in accordance with local and national building and electric codes.**

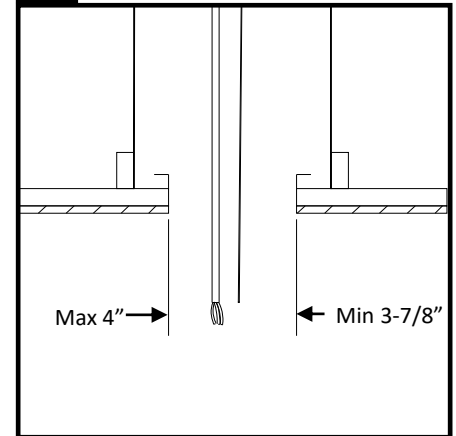
# ID-23 TruGroove Drywall Trim Installation Instructions

## 1 Install Mount and Power Cables



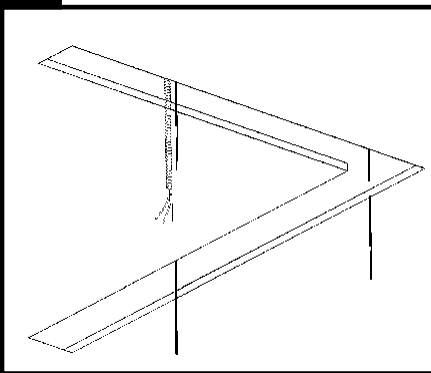
Install mounting brackets, suspension cables and power cables at required locations. Use one bracket and one suspension cable at end condition. Use one bracket and two suspension cables at a joint condition. Mounting bracket must be centered above fixture joint. NOTE: Mounting hardware by others.

## 2 Install Framing & Drywall



Install 'C' channel along full fixture perimeter to cutout specified drywall and cut opening to dimensions shown. **IMPORTANT:** See detail on page 2 for proper fixture and corner fit.

## 3 Finish Ceiling Preparation



After drywall is installed, check that fixture opening is straight and that it meets required dimensions of minimum 3-7/8" to maximum 4"

## 4. Prepare Fixtures/References Layout Drawings

Arrange box fixtures on floor in specified mounting locations, based on supplied layout drawings. Match up each fixture based on the spec. tag and ID number labeled on each box for the specified run.

## 5. Install Corners and Fixtures

Follow TruGroove drywall ceiling standalone and continuous run installation instructions.

Installation Tip: Begin installation by suspending corners unit first and work outwards to complete a continuous run.

**! ATTENTION: Install in accordance with local and national building and electric codes.**



© 2021 Signify Holding. All rights reserved. The information provided herein is subject to change, without notice. Signify does not give any representation or warranty as to the accuracy or completeness of the information included herein and shall not be liable for any action in reliance thereon. The information presented in this document is not intended as any commercial offer and does not form part of any quotation or contract, unless otherwise agreed by Signify.

Signify North America Corporation  
400 Crossing Blvd, Suite 600  
Bridgewater, NJ 08807  
Telephone: 855-486-2216

Signify Canada Ltd.  
281 Hillmount Road,  
Markham, ON, Canada L6C 2S3  
Telephone: 800-668-9008

All trademarks are owned by Signify Holding or their respective owners.