



# Linear

## FloatPlane Wall

4200 lm/4ft w/ 100% Down Kit\*  
3000/3500/4000K



Project: \_\_\_\_\_  
Spec Type: \_\_\_\_\_  
Catalog No: 24x8LxCAJ \_\_\_\_\_  
Qty \_\_\_\_\_  
Line Notes: \_\_\_\_\_

With FloatPlane LED, it's easier than ever to integrate sleek and sporty style into your layout and within budget. Fresh and playful, with Curve and Edge profile options, FloatPlane's performance rivals that of high-end LED luminaires with the affordability of fluorescent. Available tunable white technology gives you the ability to vary color temperature and intensity, harmonizing lighting with your daily life.

### Ordering guide

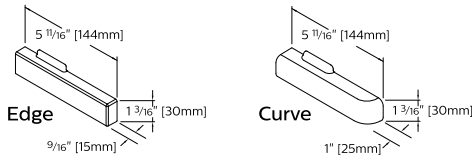
Product Type	Version	Source	Color Temp *	Lumens *	Lower Optics	Upper Optics	Run Length	Wiring †	Voltage	Driver	Finish
24		L		C	A	J					
24 FloatPlane	G8 Edge Wall R8 Curve Wall	L LED	A 4000K B 3500K C 3000K	C 4200 lm/4ft E 3100 lm/4ft G 2200 lm/4ft	A Acrylic diffuser	A Acrylic diffuser G 75% Down Kit J 100% Down Kit	04 4' 06 6' 08 8' Total run length (2' increments)	7 1 cct Dimming E 2 cct A/B Dimming M 1 cct Dimming + EM Wiring N 1 cct Dimming + EM Batt. Pack	1 120V 2 277V 3 347V	E Philips Advance 0-10V (1% dim)	W Standard White T Titanium Silver B Black C Custom

\* Nominal values within a range. Down kits and dust covers reduce output & efficacy. Consult photometry data for color temp, lumens & distribution of chosen configuration.  
† Not all wiring types are available with all configurations. Consult Philips Ledalite for a complete list of available options.

### Mounting Hardware

**Mount Type**  
Consult separate mounting spec sheet for mount type options

### Endcaps -



# FloatPlane Wall

4200 lm/4ft w/ 100% Down Kit\*

3000/3500/4000K

## Optical System

White light emitted from dual linear arrays of lateral-facing LEDs is diffused and redirected into the upper and lower hemispheres with a combination of high reflectivity elements and acrylic diffusers. This delivers a highly efficient 70% up / 30% down indirect/direct distribution with a wide, homogeneous batwing distribution in the upper hemisphere. Twin polymer diffusers on the lower surface combine for an optical aperture of 5-1/2" to deliver a uniform, controlled brightness, maximizing visual comfort and luminaire efficacy. Factory or field installable variable optics kits are available to modify the distribution to 75% down or close to 100% down light. Field installable dust covers available on suspended versions.

## Endcaps

Diecast aluminum endcaps in either Edge or Curve versions to match housing.

## Finish

High quality powder coated, available in matte white, black or titanium silver. Other custom colors, including Pacific Aqua and Surf Yellow, available on request. White sensors only.

## Housing

Precision formed 18 gauge cold-rolled steel. Approx. cross section size: 1.5"h x 8"w (suspended) or 5.7"w (wall mount).

## Weight

Maximum: Suspended 3.5lb/ft, Wall 3.3lb/ft

## Electrical

Factory pre-wired to section ends with quick-wire connectors.

## Standard Drivers

Philips Advance Xitanium 0-10V, 1-100%.  
Philips Advance Xitanium SR, 5-100% (for SpaceWise DT).

Class 2 rated output. Consult Philips Ledalite for other available drivers.

## Standard Battery Pack

Philips Bodine, 90 min, 10W. Class 2 rated output, Emergency lumen output = 10W x luminaire efficacy x 1.1. Typical output 1400lm.

## Lumen Maintenance

LEDs have been tested by the manufacturer in accordance with IESNA LM-80-08. At an ambient temperature of 25°C, the LED lumen maintenance expectation according to IES TM-21-11 is:

L80 (12k) 70,000 hrs suspended / 64,000 hrs wall.

(Reported methodology)

L70 (12k) 108,000 hrs suspended / 98,000 hrs wall.

(Projected methodology)

## Source Color

LEDs rated for color rendering CRI >80, R9 >0 and fixture to fixture color accuracy within 2 SDCM.

## Controls

Suspended version available with the following integrated controls:

Response daylight sensor (for single zone).

SpaceWise DT occupancy & daylight sensor w/ advanced grouping & dwell time.

SpaceWise DT commissioning via Android phone and Philips Field App. Compatible dimming wireless wall switches are available. For more information, please refer to [www.philips.com/spacewis](http://www.philips.com/spacewis)

## Mounting

**Suspended:** Rapid installation sling mount at joints and ends. High strength aircraft cable and stainless steel gripper provide unlimited vertical adjustment and are independently tested to stringent safety standards.

**Wall:** A hidden steel rail and bracket system attaches to the existing structure and supports housings close to the wall. Mount positioning is fully variable along the modules to accommodate site conditions, spaced up to 4 1/2" on center and within 12" of an end or joint.

## Joints

Self-aligning, gasketed joining system. Access panels in the driver channel allow quick and hassle-free wiring of modules either before or after mechanical joints are completed.

## Approvals

Certified to UL, CSA and IES standards. Certain suspended versions (24x5L) are DesignLights Consortium® qualified. Please see the DLC QPL list for exact catalog numbers ([www.designlights.org/QPL](http://www.designlights.org/QPL)).

## Warranty

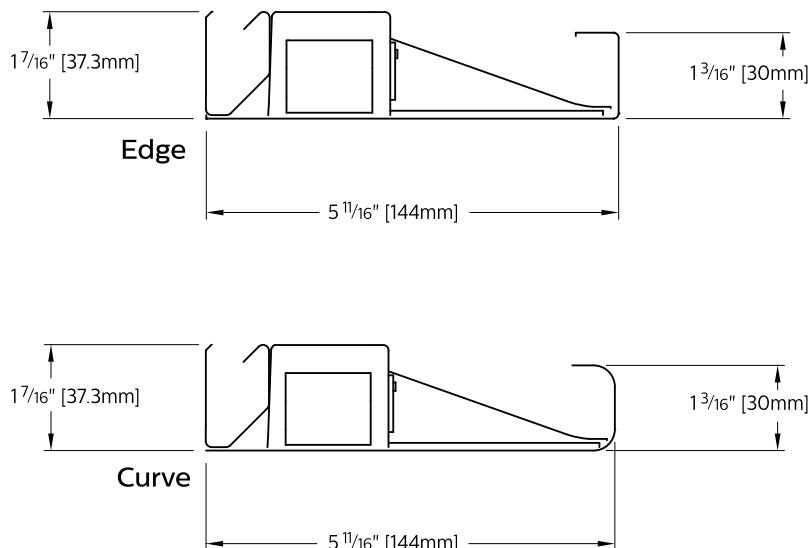
Philips indoor professional luminaires 5 year LED warranty: <http://www.philips.com/warranties>

## Environment

Rated for dry or damp locations in operating ambient temperatures 0-40°C (32-104°F). Certain luminaire components may be adversely affected by contaminants. Damage caused by sulfur, chlorine, petroleum based solutions or other contaminants in the area of operation are not covered under warranty. Not suitable for natatorium environments.

Due to continuing product improvements, Philips Ledalite reserves the right to change the specifications without notice.

## Dimensions - Cross Section

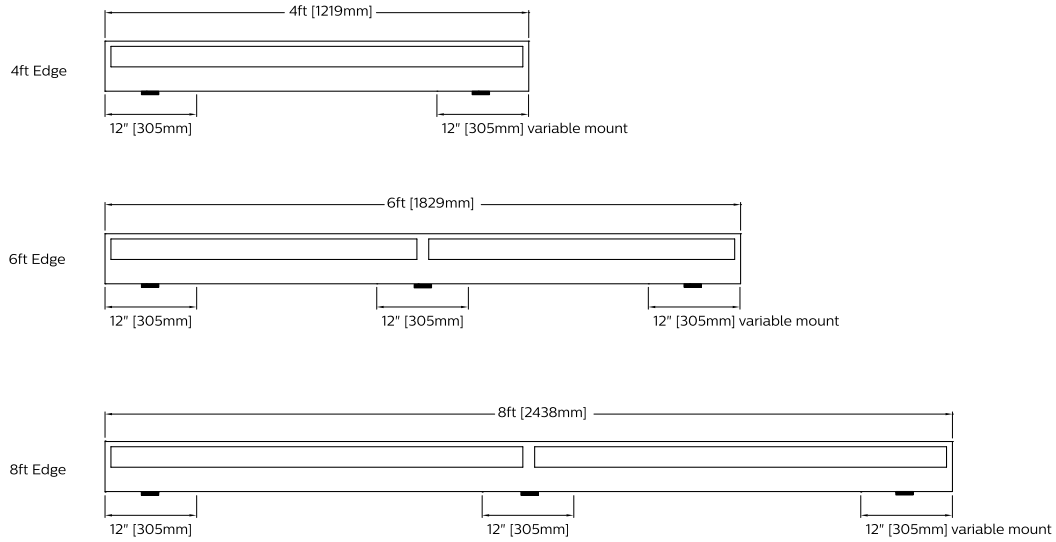


# FloatPlane Wall

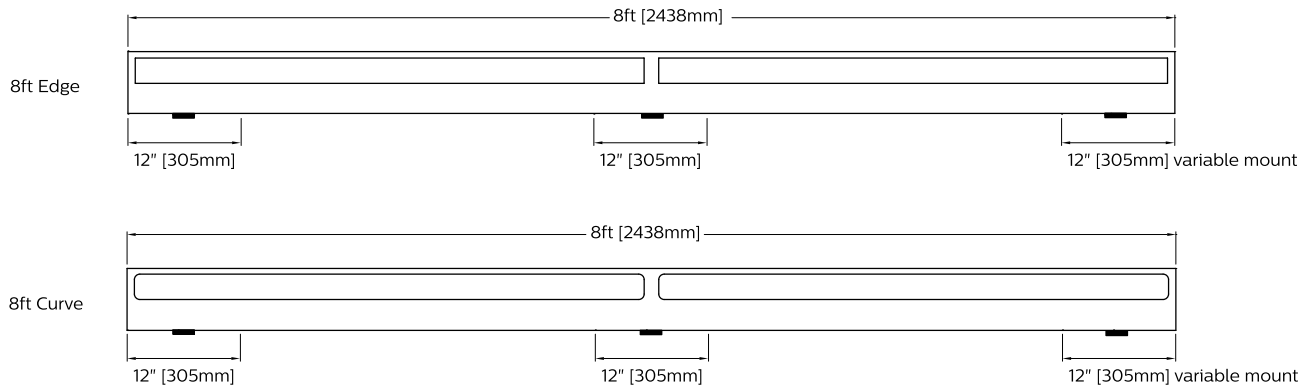
4200 lm/4ft w/ 100% Down Kit\*

3000/3500/4000K

## Dimensions - Modules



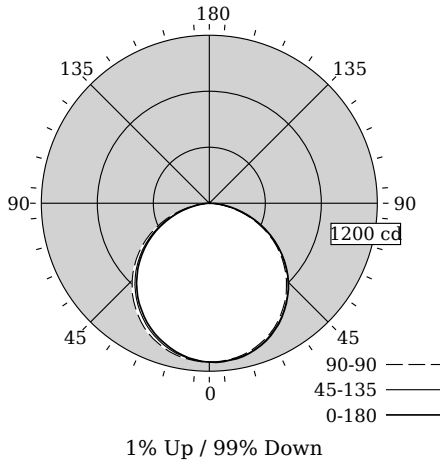
## Optics and Styles



# FloatPlane Wall

4200 lm/4ft w/ 100% Down Kit\*  
3000/3500/4000K

## Photometry - 3500K



## Candela Distribution

Vertical Angle	Horizontal Angle				Zonal Lumens
	0	45	90	135	
0	1134	1134	1134	1134	0
5	1136	1134	1130	1125	107
15	1109	1107	1098	1082	308
25	1042	1036	1027	1002	469
35	935	933	917	888	568
45	798	796	779	748	594
55	631	629	614	583	540
65	443	438	426	397	413
75	244	238	225	201	235
85	71	65	50	40	63
90	0	0	0	0	0
95	2	2	2	0	1
105	4	4	4	2	3
115	4	6	4	2	4
125	6	8	6	4	4
135	6	10	6	4	5
145	8	10	6	4	4
155	10	10	6	4	3
165	8	8	6	4	2
175	6	6	6	4	0
180	6	6	6	6	0

Photometry based on 4ft white luminaire. Dust covers and non-white finishes reduce delivered lumens. Custom color finishes may shift output color temperature.

Fixture photometry has been conducted in accordance with IESNA LM-79-08

IES files for this and other photometric options can be downloaded online at [www.lightingproducts.philips.com](http://www.lightingproducts.philips.com)

## Coefficients of Utilization (%)

RCR	Ceiling/Wall										
	70	50	30	10	70	50	30	50	10	0	
0	119	119	119	119	116	116	116	111	111	111	99
1	108	104	99	95	106	101	97	97	94	91	83
2	98	90	83	77	96	88	82	84	79	75	69
3	90	79	71	64	87	77	70	74	68	62	58
4	82	70	61	54	80	69	60	66	59	53	49
5	75	62	53	47	73	61	53	59	51	46	42
6	70	56	47	41	68	55	47	53	46	40	37
7	64	51	42	36	63	50	42	48	41	35	33
8	60	46	38	32	58	46	37	44	37	31	29
9	56	42	34	29	55	42	34	41	33	28	26
10	52	39	31	26	51	39	31	38	31	26	24

## Avg. Luminance (cd/m2)

Vertical Angle	Horizontal Angle		
	0	90	180
55	16236	15792	14558
65	15471	14869	13328
75	13889	12796	11155
85	12016	8444	6820

## Distribution

Hemisphere	1% Up / 99% Down
Spacing Along (0 °)	1.3
Spacing Across (90 °)	1.28
Spacing at 180 °	1.23

Philips Ledalite

**LED lighting facts**  
A Program of the U.S. DOE

---

**Light Output (Lumens)** **3324**

**Watts** **37.4**

**Lumens per Watt (Efficacy)** **88.88**

---

**Color Accuracy**  
Color Rendering Index (CRI) **82**

---

**Light Color**  
Correlated Color Temperature (CCT) **3427 (Bright White)**

2700K    3000K    4500K    6500K

All results are according to IESNA LM-79-2008: Approved Method for the Electrical and Photometric Testing of Solid-State Lighting. The U.S. Department of Energy (DOE) verifies product test data and results.

Visit [www.lightingfacts.com](http://www.lightingfacts.com) for the Label Reference Guide.

Registration Number: F46Z-KJS1VX (7/9/2015)  
Model Number: 24x8LBCAJ  
Type: Luminaire - Linear

# FloatPlane Wall

4200 lm/4ft w/ 100% Down Kit\*

3000/3500/4000K

## Optical Performance

Nominal CCT:	3000K	3500K	4000K
Flux (lm)	3255	3324	3356
Efficacy (lm/W)	88.0	88.9	89.7
Power (W)	37.0	37.4	37.4
CCT (K)	3111	3427	4054
CRI	81	82	83
R9	2	6	12
x	0.4314	0.4123	0.3791
y	0.4061	0.4001	0.3791
Duv	0.0020	0.0030	0.0010

## Electrical Performance - 3500K

Input Voltage	120V	277V	347V
Input Power	37.4W	36.7W	31.6W
Input Current	0.31A	0.14A	0.09A
Power Factor	0.990	0.980	0.960
Total Harm. Distortion	6.0%	12.9%	10.0%

Tested values . contact technical support for rated values. Off-state power zero unless certain controls are specified.

