



# Linear

## FloatPlane Wall LED

Asymmetric  
CRI >80 4000K, 3100 lm/4ft



Project: \_\_\_\_\_  
Spec Type: \_\_\_\_\_  
Catalog No: 24x8LAEAG  
Qty \_\_\_\_\_  
Line Notes: \_\_\_\_\_

Interior spaces should resonate, evoke emotion and satisfy a purpose. With FloatPlane LED, it's easier than ever to integrate sleek and sporty style into your layout and within your budget. Fresh and playful with two profile options, Curve and Edge, FloatPlane's performance rivals that of high-end LED luminaires with the affordability of fluorescent.

### Ordering guide

| Product Type  | Version                       | Source | Color Temp *                  | Lumens *  | Lower Optics       | Upper Optics  | Run Length   | Wiring †   | Voltage                    | Driver   | Finish   |
|---------------|-------------------------------|--------|-------------------------------|---|--------------------|---|--|--|----------------------------|--|--|
| 24            |                               | L      | A                             | E   | A                  | G   |  |  |                            |  |  |
| 24 FloatPlane | G8 Edge Wall<br>R8 Curve Wall | L LED  | A 4000K<br>B 3500K<br>C 3000K | C 4200 lm/4ft<br>E 3100 lm/4ft<br>G 2200 lm/4ft | A Acrylic diffuser | A Acrylic diffuser<br>G 75% Down Kit<br>J 100% Down Kit | O4 4'<br>O6 6'<br>O8 8'<br>XX Total run length (2' increments) | 1 1 cct<br>3 1 cct w/ EM cct<br>5 1 cct w/ BP<br>7 1 cct w/ Dimming<br>8 1 cct w/ TW<br>B 2 cct A/B<br>N 1 cct w/ Dim & BP | 1 120V<br>2 277V<br>3 347V | E Philips Advance<br><br>Other drivers available - consult factory | W Standard White<br>T Titanium Silver<br>B Black<br>C Custom |

\* Nominal values within a range. Consult ies file for exact color temp, lumens and up/down distribution † Consult website for complete list of standard wiring options

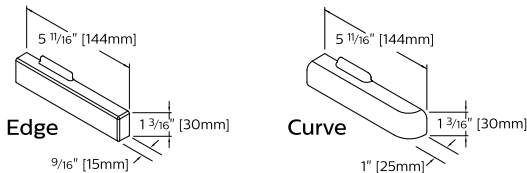
### Mounting Hardware

Wall **Mount Type**  
Consult separate mounting spec sheet for mount type options

Endcaps -  Edge/Curve

**Integrated Controls** Please indicate with check mark.

No Options Available



# FloatPlane Wall LED

CRI >80 4000K, 3100 lm/4ft

## Housing

Precision formed 18 gauge cold-rolled steel. Approx. cross section size: 1.5" h x 8" w (suspended) or 5.7" w (wall mount).

## Weight

Maximum: Suspended 3.5lb/ft, Wall 3.3lb/ft

## Optical System

White light emitted from dual linear arrays of lateral-facing LEDs is diffused and redirected into the upper and lower hemispheres through a combination of high reflectivity components and acrylic diffusers. This delivers a high efficiency 70% up / 30% down indirect/direct distribution with a wide, homogeneous batwing distribution in the upper hemisphere. Twin polymer diffusers on the lower surface with a combined optical aperture of 5-1/2" deliver a uniform, controlled brightness to maximize visual comfort and luminaire efficacy. Factory or field installable variable optics kits are available to modify the distribution to 75% down or close to 100% down light.

## Standard Driver

Philips Advance Xitanium. Output is Class 2 rated. Dimming: 0-10V, 5-100%.

## Electrical

Pre-wired to module ends, quick-wire connectors included.

## Mounting

**Suspended:** Rapid installation sling mount at joints and ends. High strength aircraft cable and stainless steel gripper provide unlimited vertical adjustment and are independently tested to meet stringent safety requirements.

**Wall:** A hidden steel rail and bracket system attaches to the existing structure and supports housings close to the wall. Mount positioning is fully variable along the modules to accommodate site conditions, but should be no more than 4-1/2" on center and always within 12" of an end or joint.

## Joints

Self-aligning, gasketed joining system. Access panels in the driver channel allow quick and hassle-free wiring of modules either before or after mechanical joints are completed.

## Endcaps

Diecast aluminum endcaps in either Edge or Curve versions to match housing.

## Finish

High quality powder coated, available in matte white, black or titanium silver. Other custom colors, including Pacific Aqua and Surf Yellow, available on request.

## Approvals

Certified to UL, CSA and IES standards.

## Lumen Maintenance

Lumen maintenance of the LEDs has been tested by the manufacturer in accordance with IESNA LM-80-08. At an ambient temperature of 25°C, the LED lumen maintenance expectation is:

**Suspended:** L<sub>80</sub> (12k) 70,000 hrs

**Wall mount:** L<sub>80</sub> (12k) 64,000 hrs

according to IES TM-21-11 Addendum A Reported methodology

## Warranty

Philips indoor professional luminaires 5 year LED warranty:

<http://www.philips.com/warranties>

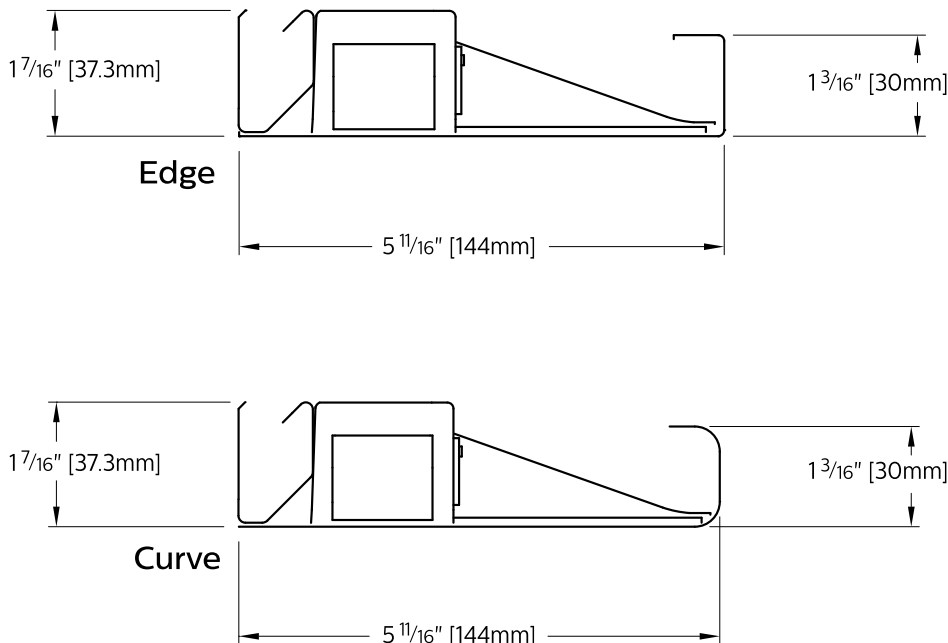
## Environment

Rated for dry or damp locations in operating ambient temperatures 0-40°C (32-104°F). Certain luminaire components may be adversely affected by contaminants. Damage caused by sulfur, chlorine, petroleum based solutions or other contaminants in the area of operation are not covered under warranty. Not suitable for natatorium environments.

Due to continuing product improvements, Philips Ledalite reserves the right to change the specifications without notice.

## Options and Details

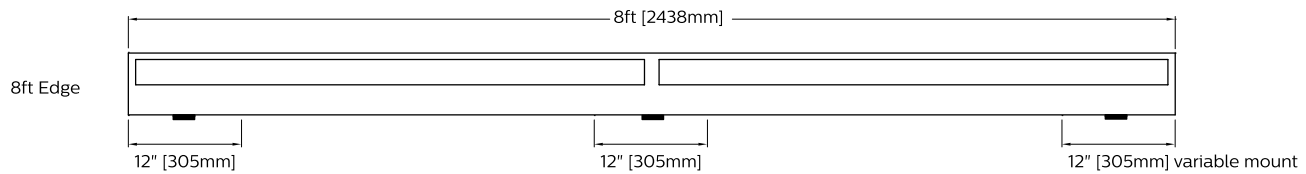
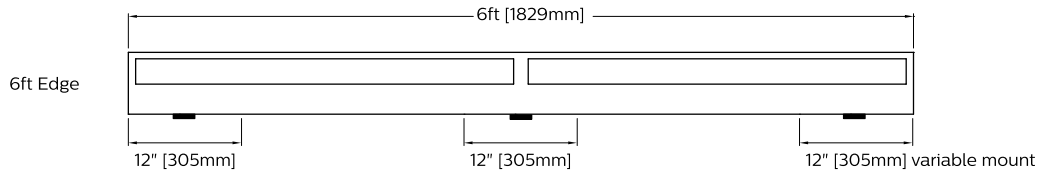
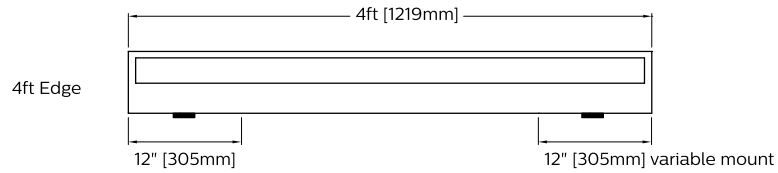
### Cross Section



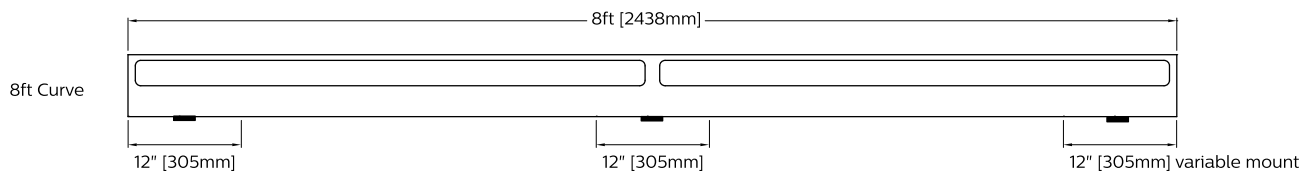
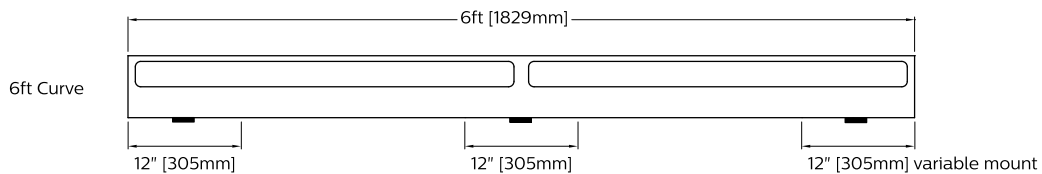
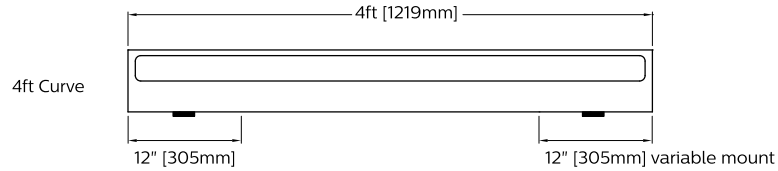
# FloatPlane Wall LED

CRI >80 4000K, 3100 lm/4ft

## Modules - Edge



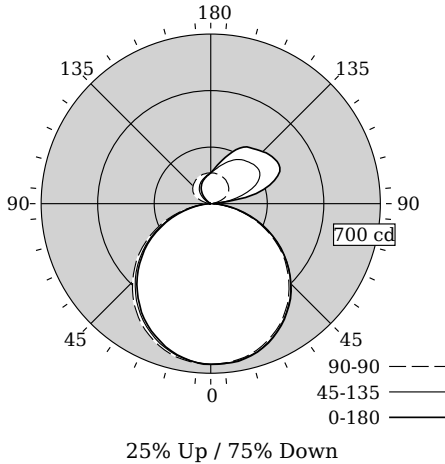
## Modules - Curve



# FloatPlane Wall LED

CRI >80 4000K, 3100 lm/4ft

## Photometry



|   |                   |
|---|-------------------|
| Total Output  | 2579 lm           |
| Efficacy  | 99.2 lm/W         |
| CCT   | 4054K             |
| CRI   | 83                |
| R9  | 12                |
| Distribution  | 25% Up / 75% Down |
| Spacing Criteria (0/45/180°)                        | 1.30/1.28/1.23    |
| Meets RP-1-12 recommendations for VDT-Normal spaces |                   |

Photometry based on 4ft white luminaire. Black, Titanium and Custom color finishes may reduce delivered lumens. Custom color finishes may shift output color temperature.

Fixture photometry has been conducted by an NVLAP accredited testing laboratory in accordance with IESNA LM-79-08

IES files for this and other photometric options can be downloaded online at [www.lightingproducts.philips.com](http://www.lightingproducts.philips.com)

## Candela Distribution

| Vertical Angle | Horizontal Angle |     |     |     | Zonal Lumens |
|----------------|------------------|-----|-----|-----|--------------|
|                | 0                | 45  | 90  | 135 |              |
| 0              | 663              | 663 | 663 | 663 | 0            |
| 5              | 662              | 663 | 660 | 658 | 63           |
| 15             | 649              | 646 | 642 | 634 | 181          |
| 25             | 610              | 607 | 600 | 587 | 275          |
| 35             | 547              | 546 | 538 | 522 | 333          |
| 45             | 468              | 466 | 456 | 440 | 348          |
| 55             | 370              | 370 | 361 | 343 | 318          |
| 65             | 260              | 260 | 250 | 234 | 243          |
| 75             | 143              | 143 | 133 | 120 | 138          |
| 85             | 41               | 40  | 30  | 27  | 38           |
| 90             | 10               | 7   | 0   | 0   | 0            |
| 95             | 27               | 30  | 7   | 1   | 19           |
| 105            | 226              | 134 | 32  | 4   | 74           |
| 115            | 315              | 214 | 68  | 7   | 110          |
| 125            | 322              | 243 | 90  | 34  | 119          |
| 135            | 303              | 236 | 103 | 62  | 111          |
| 145            | 282              | 222 | 113 | 82  | 93           |
| 155            | 246              | 195 | 120 | 97  | 67           |
| 165            | 186              | 164 | 126 | 109 | 39           |
| 175            | 141              | 137 | 127 | 120 | 12           |
| 180            | 127              | 127 | 127 | 127 | 0            |

## Coefficients of Utilization (%)

| RCR | Ceiling: Wall |     |     |     |     |     |     |    |    |    |    |
|-----|---------------|-----|-----|-----|-----|-----|-----|----|----|----|----|
|     | 70            | 50  | 30  | 10  | 70  | 50  | 30  | 50 | 30 | 10 | 0  |
| 0   | 113           | 113 | 113 | 113 | 108 | 108 | 108 | 97 | 97 | 97 | 75 |
| 1   | 103           | 98  | 94  | 91  | 98  | 94  | 90  | 85 | 82 | 80 | 63 |
| 2   | 94            | 86  | 79  | 74  | 89  | 82  | 76  | 74 | 69 | 65 | 52 |
| 3   | 85            | 75  | 67  | 61  | 81  | 72  | 65  | 65 | 59 | 55 | 44 |
| 4   | 78            | 66  | 58  | 51  | 74  | 63  | 56  | 58 | 51 | 46 | 37 |
| 5   | 72            | 59  | 50  | 44  | 68  | 57  | 49  | 52 | 45 | 40 | 32 |
| 6   | 66            | 53  | 44  | 38  | 62  | 51  | 43  | 47 | 40 | 35 | 28 |
| 7   | 61            | 48  | 39  | 34  | 58  | 46  | 38  | 42 | 36 | 31 | 25 |
| 8   | 57            | 44  | 35  | 30  | 54  | 42  | 34  | 39 | 32 | 27 | 22 |
| 9   | 53            | 40  | 32  | 27  | 50  | 38  | 31  | 35 | 29 | 24 | 20 |
| 10  | 49            | 37  | 29  | 24  | 47  | 35  | 28  | 33 | 26 | 22 | 18 |

## Avg. Luminance (cd/m<sup>2</sup>)

| Vertical Angle | Horizontal Angle |      |      |
|----------------|------------------|------|------|
|                | 0                | 90   | 180  |
| 55             | 9507             | 9289 | 8600 |
| 65             | 9061             | 8717 | 7830 |
| 75             | 8122             | 7559 | 6513 |
| 85             | 6925             | 5015 | 4059 |

Philips Ledalite

**Lighting facts**  
A Program of the U.S. DOE

---

**Light Output (Lumens)** **2579**

**Watts** **26**

**Lumens per Watt (Efficacy)** **99.19**

---

**Color Accuracy** **83**

Color Rendering Index (CRI)

---

**Light Color** **4054 (Bright White)**

Correlated Color Temperature (CCT)

2700K    3000K    4500K    6500K

Warm White    Bright White    Daylight

---

All results are according to IESNA LM-79-2008: *Approved Method for the Electrical and Photometric Testing of Solid-State Lighting*. The U.S. Department of Energy (DOE) verifies product test data and results.

Visit [www.lightingfacts.com](http://www.lightingfacts.com) for the *Label Reference Guide*.

---

Registration Number: F46Z-1KAA12 (7/9/2015)  
Model Number: 24x8LAEAG  
Type: Luminaire - Linear

## Electrical Specifications

|  |              |              |
|--|--------------|--------------|
| <b>Input Voltage</b>   | <b>120V</b>  | <b>277V</b>  |
| <b>Input Power</b>   | <b>26W</b>   | <b>25.8W</b> |
| <b>Input Current</b>   | <b>0.22A</b> | <b>0.1A</b>  |
| <b>Power Factor</b>  | <b>0.998</b> | <b>0.959</b> |
| <b>Total Harm. Distortion</b>  | <b>7.2%</b>  | <b>14%</b>   |
| <b>Tested values – contact technical support for rated values. Off-state power zero unless certain controls are specified.</b> |              |              |

