

Linear

FloatPlane Wall LED

Asymmetric
CRI >80 4000K, 2200 lm/4ft



Project: _____
Spec Type: _____
Catalog No: 24x8LAGAG
Qty _____
Line Notes: _____

Interior spaces should resonate, evoke emotion and satisfy a purpose. With FloatPlane LED, it's easier than ever to integrate sleek and sporty style into your layout and within your budget. Fresh and playful with two profile options, Curve and Edge, FloatPlane's performance rivals that of high-end LED luminaires with the affordability of fluorescent.

Ordering guide

Product Type	Version	Source	Color Temp *	Lumens *	Lower Optics	Upper Optics	Run Length	Wiring †	Voltage	Driver	Finish
24		L	A	G	A	G					
24 FloatPlane	G8 Edge Wall R8 Curve Wall	L LED	A 4000K B 3500K C 3000K	C 4200 lm/4ft E 3100 lm/4ft G 2200 lm/4ft	A Acrylic diffuser	A Acrylic diffuser G 75% Down Kit J 100% Down Kit	O4 4' O6 6' O8 8' XX Total run length (2' increments)	1 1 cct 3 1 cct w/ EM cct 5 1 cct w/ BP 7 1 cct w/ Dimming 8 1 cct w/ TW B 2 cct A/B N 1 cct w/ Dim & BP	1 120V 2 277V 3 347V	E Philips Advance Other drivers available - consult factory	W Standard White T Titanium Silver B Black C Custom

* Nominal values within a range. Consult ies file for exact color temp, lumens and up/down distribution † Consult website for complete list of standard wiring options

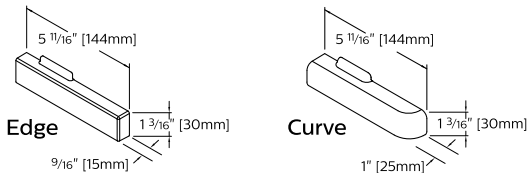
Mounting Hardware

Wall **Mount Type**
Consult separate mounting spec sheet for mount type options

Endcaps - Edge/Curve

Integrated Controls Please indicate with check mark.

No Options Available



FloatPlane Wall LED

CRI >80 4000K, 2200 lm/4ft

Housing

Precision formed 18 gauge cold-rolled steel. Approx. cross section size: 1.5" h x 8" w (suspended) or 5.7" w (wall mount).

Weight

Maximum: Suspended 3.5lb/ft, Wall 3.3lb/ft

Optical System

White light emitted from dual linear arrays of lateral-facing LEDs is diffused and redirected into the upper and lower hemispheres through a combination of high reflectivity components and acrylic diffusers. This delivers a high efficiency 70% up / 30% down indirect/direct distribution with a wide, homogeneous batwing distribution in the upper hemisphere. Twin polymer diffusers on the lower surface with a combined optical aperture of 5-1/2" deliver a uniform, controlled brightness to maximize visual comfort and luminaire efficacy. Factory or field installable variable optics kits are available to modify the distribution to 75% down or close to 100% down light.

Standard Driver

Philips Advance Xitanium. Output is Class 2 rated. Dimming: 0-10V, 5-100%.

Electrical

Pre-wired to module ends, quick-wire connectors included.

Mounting

Suspended: Rapid installation sling mount at joints and ends. High strength aircraft cable and stainless steel gripper provide unlimited vertical adjustment and are independently tested to meet stringent safety requirements.

Wall: A hidden steel rail and bracket system attaches to the existing structure and supports housings close to the wall. Mount positioning is fully variable along the modules to accommodate site conditions, but should be no more than 4-1/2" on center and always within 12" of an end or joint.

Joints

Self-aligning, gasketed joining system. Access panels in the driver channel allow quick and hassle-free wiring of modules either before or after mechanical joints are completed.

Endcaps

Diecast aluminum endcaps in either Edge or Curve versions to match housing.

Finish

High quality powder coated, available in matte white, black or titanium silver. Other custom colors, including Pacific Aqua and Surf Yellow, available on request.

Approvals

Certified to UL, CSA and IES standards.

Lumen Maintenance

Lumen maintenance of the LEDs has been tested by the manufacturer in accordance with IESNA LM-80-08. At an ambient temperature of 25°C, the LED lumen maintenance expectation is:

Suspended: L₈₀ (12k) 70,000 hrs

Wall mount: L₈₀ (12k) 64,000 hrs

according to IES TM-21-11 Addendum A Reported methodology

Warranty

Philips indoor professional luminaires 5 year LED warranty:

<http://www.philips.com/warranties>

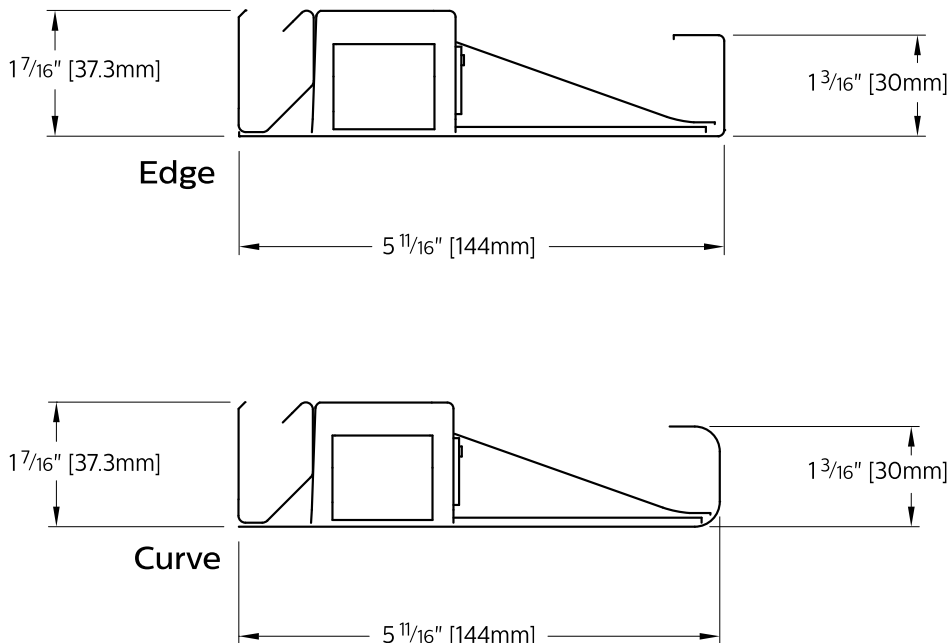
Environment

Rated for dry or damp locations in operating ambient temperatures 0-40°C (32-104°F). Certain luminaire components may be adversely affected by contaminants. Damage caused by sulfur, chlorine, petroleum based solutions or other contaminants in the area of operation are not covered under warranty. Not suitable for natatorium environments.

Due to continuing product improvements, Philips Ledalite reserves the right to change the specifications without notice.

Options and Details

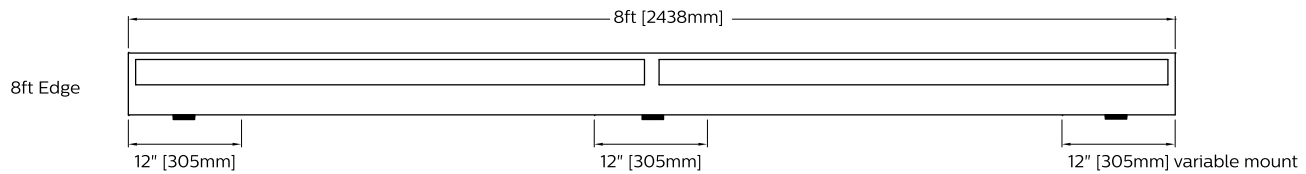
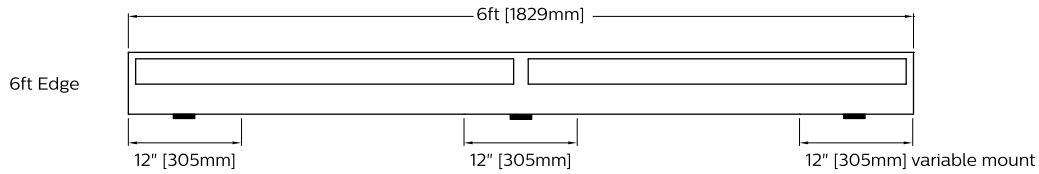
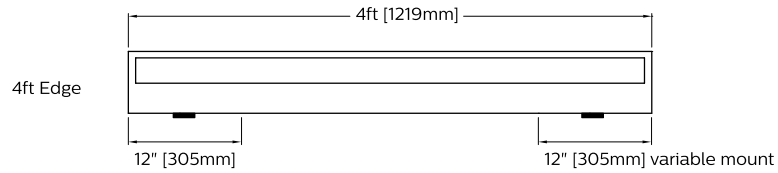
Cross Section



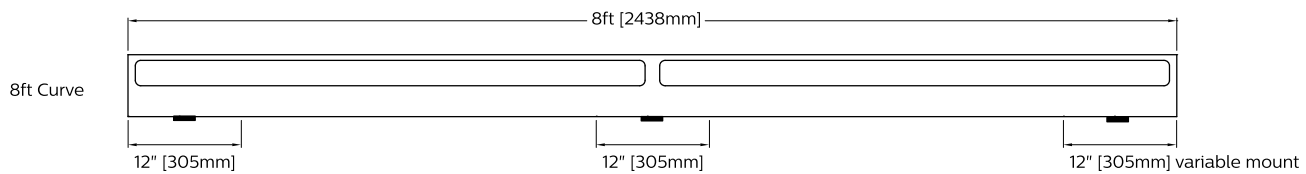
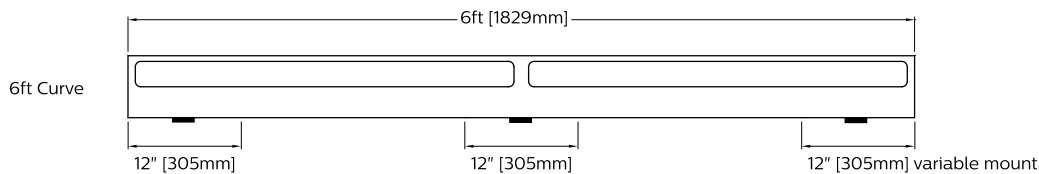
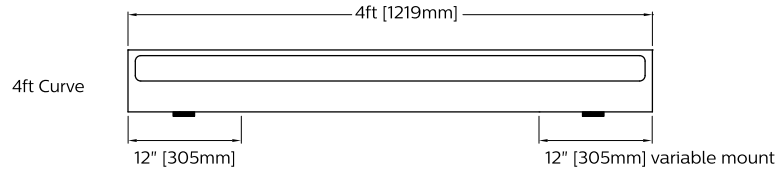
FloatPlane Wall LED

CRI >80 4000K, 2200 lm/4ft

Modules - Edge



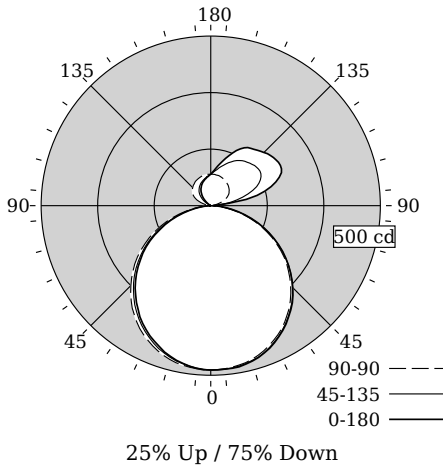
Modules - Curve



FloatPlane Wall LED

CRI >80 4000K, 2200 lm/4ft

Photometry



Total Output	1885 lm
Efficacy	104.1 lm/W
CCT	4054K
CRI	83
R9	12
Distribution	25% Up / 75% Down
Spacing Criteria (0/45/180°)	1.30/1.28/1.23
Meets RP-1-12 recommendations for VDT-Critical spaces	

Photometry based on 4ft white luminaire. Black, Titanium and Custom color finishes may reduce delivered lumens. Custom color finishes may shift output color temperature.

Fixture photometry has been conducted by an NVLAP accredited testing laboratory in accordance with IESNA LM-79-08

IES files for this and other photometric options can be downloaded online at www.lightingproducts.philips.com

Candela Distribution

Vertical Angle	Horizontal Angle				Zonal Lumens
	45	90	135	180	
0	485	485	485	485	0
5	494	485	483	480	46
15	474	472	469	463	132
25	445	443	438	429	201
35	400	399	393	381	244
45	342	340	333	322	313
55	270	270	264	251	244
65	190	190	182	171	164
75	104	104	97	88	84
85	30	29	22	20	18
90	7	5	0	0	0
95	20	22	5	1	14
105	165	98	24	3	3
115	230	157	49	5	5
125	235	177	66	25	9
135	222	172	75	45	30
145	206	162	82	60	49
155	179	142	88	71	65
165	136	120	92	79	76
175	103	100	93	88	87
180	93	93	93	93	93

Coefficients of Utilization (%)

RCR	Ceiling: Wall:	80											
		70	50	30	10	70	50	30	50	30	10	0	
0		113	113	113	113	108	108	108	97	97	97	75	
1		103	98	94	91	98	94	90	85	82	80	63	
2		94	86	79	74	89	82	76	74	69	65	52	
3		85	75	67	61	81	72	65	65	59	55	44	
4		78	66	58	51	74	63	56	58	51	46	37	
5		72	59	50	44	68	57	49	52	45	40	32	
6		66	53	44	38	62	51	43	47	40	35	28	
7		61	48	39	34	58	46	38	42	36	31	25	
8		57	44	35	30	54	42	34	39	32	27	22	
9		53	40	32	27	50	38	31	35	29	24	20	
10		49	37	29	24	47	35	28	33	26	22	18	

Avg. Luminance (cd/m²)

Vertical Angle	Horizontal Angle		
	0	90	180
55	6946	6787	6284
65	6621	6369	5721
75	5934	5523	4759
85	5060	3664	2966

Philips Ledalite

Light Output (Lumens) **1885**

Watts **18.1**

Lumens per Watt (Efficacy) **104.14**

Color Accuracy **83**

Color Rendering Index (CRI)

Light Color **4054 (Bright White)**

Correlated Color Temperature (CCT)

2700K 3000K 4500K 6500K

All results are according to IESNA LM-79-2008: Approved Method for the Electrical and Photometric Testing of Solid-State Lighting. The U.S. Department of Energy (DOE) verifies product test data and results.

Visit www.lightingfacts.com for the Label Reference Guide.

Registration Number: F46Z-UNWA4V (7/9/2015)
Model Number: 24x8LAGAG
Type: Luminaire - Linear

Electrical Specifications

Input Voltage	120V	277V
Input Power	18.1W	18.2W
Input Current	0.15A	0.07A
Power Factor	0.994	0.97
Total Harm. Distortion	7.2%	8.8%
Tested values – contact technical support for rated values. Off-state power zero unless certain controls are specified.		

