



Linear

FloatPlane Wall LED

Asymmetric
CRI >80 3000K, 3100 lm/4ft



Project: _____
Spec Type: _____
Catalog No: 24x8LCEAJ
Qty _____
Line Notes: _____

Interior spaces should resonate, evoke emotion and satisfy a purpose. With FloatPlane LED, it's easier than ever to integrate sleek and sporty style into your layout and within your budget. Fresh and playful with two profile options, Curve and Edge, FloatPlane's performance rivals that of high-end LED luminaires with the affordability of fluorescent.

Ordering guide

Product Type	Version	Source	Color Temp *	Lumens *	Lower Optics	Upper Optics	Run Length	Wiring †	Voltage	Driver	Finish
24		L	C	E	A	J					
24 FloatPlane	G8 Edge Wall R8 Curve Wall	L LED	A 4000K B 3500K C 3000K	C 4200 lm/4ft E 3100 lm/4ft G 2200 lm/4ft	A Acrylic diffuser	A Acrylic diffuser G 75% Down Kit J 100% Down Kit	O4 4' O6 6' O8 8' XX Total run length (2' increments)	1 1 cct 3 1 cct w/ EM cct 5 1 cct w/ BP 7 1 cct w/ Dimming 8 1 cct w/ TW B 2 cct A/B N 1 cct w/ Dim & BP	1 120V 2 277V 3 347V	E Philips Advance Other drivers available - consult factory	W Standard White T Titanium Silver B Black C Custom

* Nominal values within a range. Consult ies file for exact color temp, lumens and up/down distribution † Consult website for complete list of standard wiring options

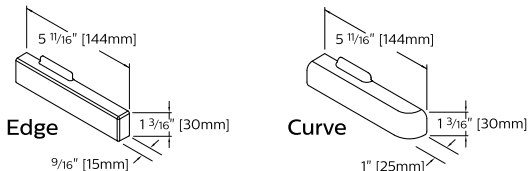
Mounting Hardware

Wall **Mount Type**
Consult separate mounting spec sheet for mount type options

Endcaps - Edge/Curve

Integrated Controls Please indicate with check mark.

No Options Available



FloatPlane Wall LED

CRI >80 3000K, 3100 lm/4ft

Housing

Precision formed 18 gauge cold-rolled steel. Approx. cross section size: 1.5" h x 8" w (suspended) or 5.7" w (wall mount).

Weight

Maximum: Suspended 3.5lb/ft, Wall 3.3lb/ft

Optical System

White light emitted from dual linear arrays of lateral-facing LEDs is diffused and redirected into the upper and lower hemispheres through a combination of high reflectivity components and acrylic diffusers. This delivers a high efficiency 70% up / 30% down indirect/direct distribution with a wide, homogeneous batwing distribution in the upper hemisphere. Twin polymer diffusers on the lower surface with a combined optical aperture of 5-1/2" deliver a uniform, controlled brightness to maximize visual comfort and luminaire efficacy. Factory or field installable variable optics kits are available to modify the distribution to 75% down or close to 100% down light.

Standard Driver

Philips Advance Xitanium. Output is Class 2 rated. Dimming: 0-10V, 5-100%.

Electrical

Pre-wired to module ends, quick-wire connectors included.

Mounting

Suspended: Rapid installation sling mount at joints and ends. High strength aircraft cable and stainless steel gripper provide unlimited vertical adjustment and are independently tested to meet stringent safety requirements.

Wall: A hidden steel rail and bracket system attaches to the existing structure and supports housings close to the wall. Mount positioning is fully variable along the modules to accommodate site conditions, but should be no more than 4-1/2" on center and always within 12" of an end or joint.

Joints

Self-aligning, gasketed joining system. Access panels in the driver channel allow quick and hassle-free wiring of modules either before or after mechanical joints are completed.

Endcaps

Diecast aluminum endcaps in either Edge or Curve versions to match housing.

Finish

High quality powder coated, available in matte white, black or titanium silver. Other custom colors, including Pacific Aqua and Surf Yellow, available on request.

Approvals

Certified to UL, CSA and IES standards.

Lumen Maintenance

Lumen maintenance of the LEDs has been tested by the manufacturer in accordance with IESNA LM-80-08. At an ambient temperature of 25°C, the LED lumen maintenance expectation is:

Suspended: L₈₀ (12k) 70,000 hrs

Wall mount: L₈₀ (12k) 64,000 hrs

according to IES TM-21-11 Addendum A Reported methodology

Warranty

Philips indoor professional luminaires 5 year LED warranty:

<http://www.philips.com/warranties>

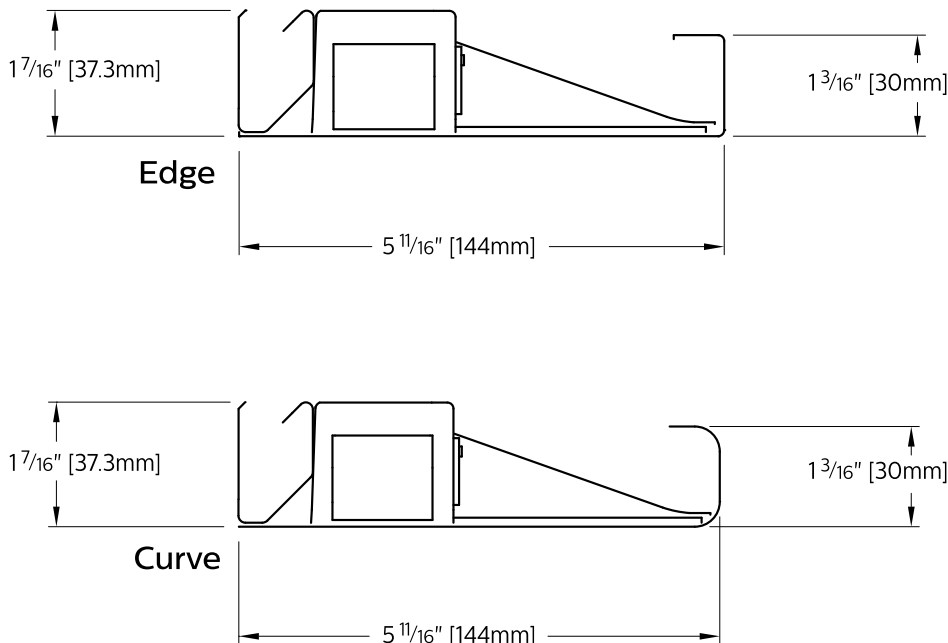
Environment

Rated for dry or damp locations in operating ambient temperatures 0-40°C (32-104°F). Certain luminaire components may be adversely affected by contaminants. Damage caused by sulfur, chlorine, petroleum based solutions or other contaminants in the area of operation are not covered under warranty. Not suitable for natatorium environments.

Due to continuing product improvements, Philips Ledalite reserves the right to change the specifications without notice.

Options and Details

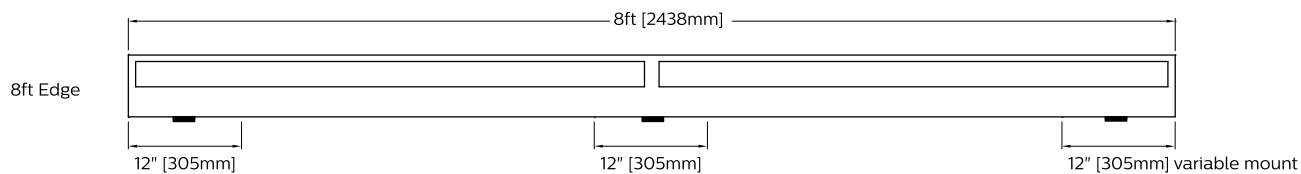
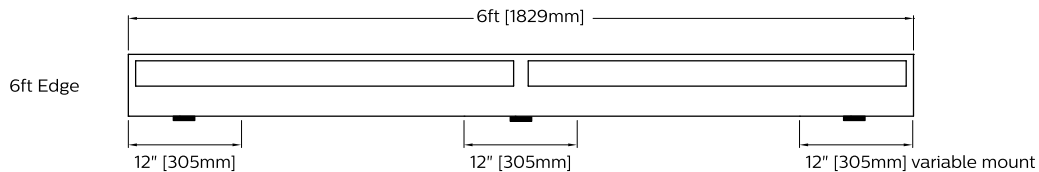
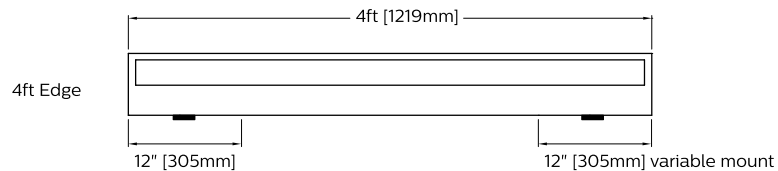
Cross Section



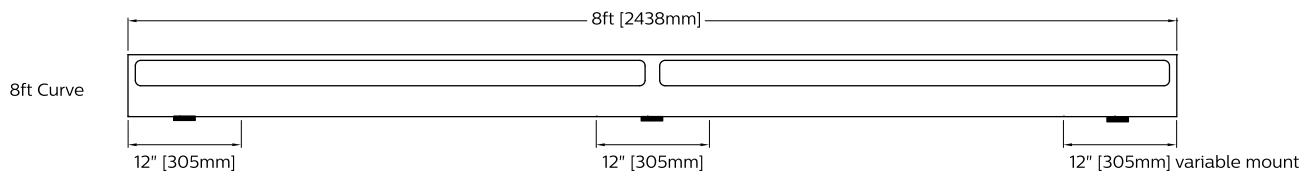
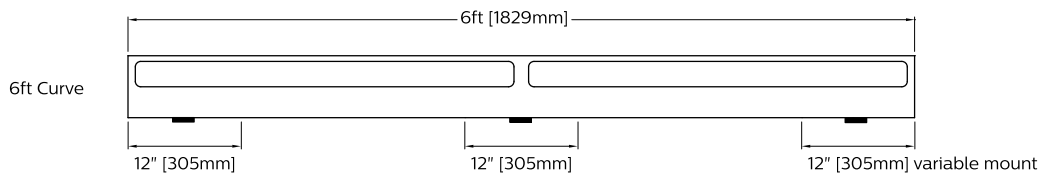
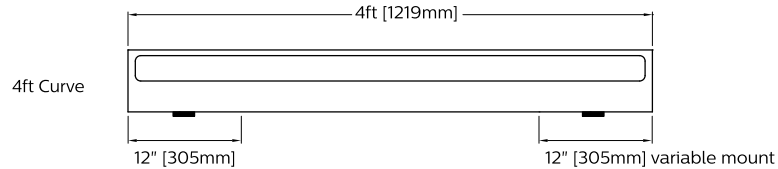
FloatPlane Wall LED

CRI >80 3000K, 3100 lm/4ft

Modules - Edge



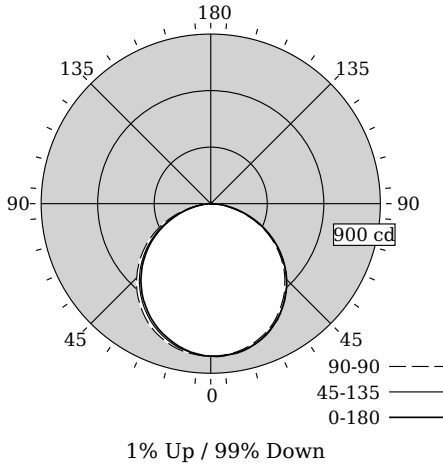
Modules - Curve



FloatPlane Wall LED

CRI >80 3000K, 3100 lm/4ft

Photometry



Total Output	2372 lm
Efficacy	92.3 lm/W
CCT	3102K
CRI	81
R9	3
Distribution	1% Up / 99% Down
Spacing Criteria (0/45/180°)	1.30/1.28/1.23

Photometry based on 4ft white luminaire. Black, Titanium and Custom color finishes may reduce delivered lumens. Custom color finishes may shift output color temperature.

Fixture photometry has been conducted by an NVLAP accredited testing laboratory in accordance with IESNA LM-79-08

IES files for this and other photometric options can be downloaded online at www.lightingproducts.philips.com

Candela Distribution

Vertical Angle	Horizontal Angle				Zonal Lumens
	0	45	90	135	
0	809	809	809	809	0
5	610	809	806	802	801
15	391	790	783	772	764
25	243	739	732	715	704
35	167	665	654	634	623
45	107	570	568	556	534
55	70	450	449	438	416
65	45	316	312	304	283
75	28	174	170	160	144
85	17	51	47	36	29
90	0	0	0	0	0
95	1	1	1	1	0
105	3	3	3	3	1
115	3	4	4	4	1
125	4	5	5	5	1
135	4	7	7	7	1
145	5	7	7	7	3
155	7	7	7	7	3
165	5	5	4	4	3
175	4	4	4	4	3
180	4	4	4	4	4

Coefficients of Utilization (%)

RCR	Ceiling: Wall											
	70	50	30	10	70	50	30	10	50	30	10	0
0	119	119	119	119	116	116	116	111	111	111	111	99
1	108	104	99	95	106	101	97	97	94	91	91	83
2	98	90	83	77	96	88	82	84	79	75	69	69
3	90	79	71	64	87	77	70	74	68	62	58	58
4	82	70	61	54	80	69	60	66	59	53	49	49
5	75	62	53	47	73	61	53	59	51	46	42	42
6	70	56	47	41	68	55	47	53	46	40	37	37
7	64	51	42	36	63	50	42	48	41	35	33	33
8	60	46	38	32	58	46	37	44	37	31	29	29
9	56	42	34	29	55	42	34	41	33	28	26	26
10	52	39	31	26	51	39	31	38	31	26	24	24

Avg. Luminance (cd/m2)

Vertical Angle	Horizontal Angle		
	0	90	180
55	11582	11266	10386
65	11037	10607	9508
75	9908	9128	7958
85	8572	6024	4865

Philips Ledalite

Lighting facts
A Program of the U.S. DOE

Light Output (Lumens) **2372**

Watts **25.7**

Lumens per Watt (Efficacy) **92.3**

Color Accuracy **81**

Color Rendering Index (CRI)

Light Color **3102 (Bright White)**

Correlated Color Temperature (CCT)

2700K 3000K 4500K 6500K

All results are according to IESNA LM-79-2008: Approved Method for the Electrical and Photometric Testing of Solid-State Lighting. The U.S. Department of Energy (DOE) verifies product test data and results.

Visit www.lightingfacts.com for the Label Reference Guide.

Registration Number: F46Z-WT6ZZJ (7/9/2015)
Model Number: 24x8LCEAJ
Type: Luminaire - Linear

Electrical Specifications

Input Voltage	120V	277V
Input Power	25.7W	25.5W
Input Current	0.21A	0.1A
Power Factor	0.998	0.959
Total Harm. Distortion	7.2%	14%
Tested values – contact technical support for rated values. Off-state power zero unless certain controls are specified.		

