



Linear

FloatPlane Suspended

4500 lm/4ft
3000/3500/4000K



Project: _____
Spec Type: _____
Catalog No: 24x5LxCAA
Qty _____
Line Notes: _____

With FloatPlane LED, it's easier than ever to integrate sleek and sporty style into your layout and within budget. Fresh and playful, with Curve and Edge profile options, FloatPlane's performance rivals that of high-end LED luminaires with the affordability of fluorescent. Available tunable white technology gives you the ability to vary color temperature and intensity, harmonizing lighting with your daily life.

Ordering guide

Product Type	Version	Source	Color Temp *	Lumens *	Lower Optics	Upper Optics	Run Length	Wiring †	Voltage	Driver	Finish
<input type="text" value="24"/>	<input type="text"/>	<input type="text" value="L"/>	<input type="text"/>	<input type="text" value="C"/>	<input type="text" value="A"/>	<input type="text" value="A"/>	<input type="text"/>	<input type="text"/>	<input type="text"/>	<input type="text"/>	<input type="text"/>
24 FloatPlane	G5 Edge Suspended R5 Curve Suspended	L LED	A 4000K B 3500K C 3000K	B 6000 lm/4ft C 4500 lm/4ft E 3200 lm/4ft	A Acrylic diffuser	A Acrylic diffuser G 75% Down Kit J 100% Down Kit	04 4' 06 6' 08 8' Total run length (2' increments)	7 1 cct Dimming E 2 cct A/B Dimming M 1 cct Dimming + EM Wiring N 1 cct Dimming + EM Batt. Pack	1 120V 2 277V 3 347V	E Philips Advance 0-10V (1% dim) S Philips Advance SR (5% dim)	W Standard White T Titanium Silver B Black C Custom

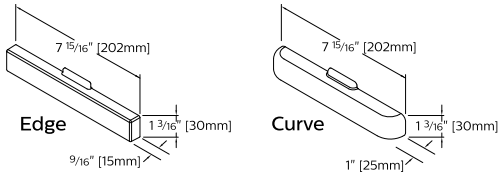
* Nominal values within a range. Down kits and dust covers reduce output & efficacy. Consult photometry data for color temp, lumens & distribution of chosen configuration.
† Not all wiring types are available with all configurations. Consult Philips Ledalite for a complete list of available options.

Mounting Hardware

Mount Type
Consult separate mounting spec sheet for mount type options

Suspension Length
Distance from ceiling to top of luminaire in inches

Endcaps -



Options & Integrated Controls Please indicate with check mark.

- Dust Cover
- Response Daylight Single Zone (DS)
- SpaceWise DT Occupancy & Daylight Sensor (SZ)



FloatPlane Suspended

4500 lm/4ft

3000/3500/4000K

Optical System

White light emitted from dual linear arrays of lateral-facing LEDs is diffused and redirected into the upper and lower hemispheres with a combination of high reflectivity elements and acrylic diffusers. This delivers a highly efficient 70% up / 30% down indirect/direct distribution with a wide, homogeneous batwing distribution in the upper hemisphere. Twin polymer diffusers on the lower surface combine for an optical aperture of 5-1/2" to deliver a uniform, controlled brightness, maximizing visual comfort and luminaire efficacy. Factory or field installable variable optics kits are available to modify the distribution to 75% down or close to 100% down light. Field installable dust covers available on suspended versions.

Endcaps

Diecast aluminum endcaps in either Edge or Curve versions to match housing.

Finish

High quality powder coated, available in matte white, black or titanium silver. Other custom colors, including Pacific Aqua and Surf Yellow, available on request. White sensors only.

Housing

Precision formed 18 gauge cold-rolled steel. Approx. cross section size: 1.5" h x 8" w (suspended) or 5.7" w (wall mount).

Weight

Maximum: Suspended 3.5lb/ft, Wall 3.3lb/ft

Electrical

Factory pre-wired to section ends with quick-wire connectors.

Standard Drivers

Philips Advance Xitanium 0-10V, 1-100%.
Philips Advance Xitanium SR, 5-100% (for SpaceWise DT).

Class 2 rated output. Consult Philips Ledalite for other available drivers.

Standard Battery Pack

Philips Bodine, 90 min, 10W. Class 2 rated output.
Emergency lumen output = 10W x luminaire efficacy x 1.1.
Typical output 1400lm.

Lumen Maintenance

LEDs have been tested by the manufacturer in accordance with IESNA LM-80-08. At an ambient temperature of 25°C, the LED lumen maintenance expectation according to IES TM-21-11 is:

L80 (12k) 70,000 hrs suspended / 64,000 hrs wall.

(Reported methodology)

L70 (12k) 108,000 hrs suspended / 98,000 hrs wall.

(Projected methodology)

Source Color

LEDs rated for color rendering CRI >80, R9 >0 and fixture to fixture color accuracy within 2 SDCM.

Controls

Suspended version available with the following integrated controls:

Response daylight sensor (for single zone).

SpaceWise DT occupancy & daylight sensor w/ advanced grouping & dwell time.

SpaceWise DT commissioning via Android phone and Philips Field App. Compatible dimming wireless wall switches are available. For more information, please refer to www.philips.com/spacewis

Mounting

Suspended: Rapid installation sling mount at joints and ends. High strength aircraft cable and stainless steel gripper provide unlimited vertical adjustment and are independently tested to stringent safety standards.

Wall: A hidden steel rail and bracket system attaches to the existing structure and supports housings close to the wall. Mount positioning is fully variable along the modules to accommodate site conditions, spaced up to 4 1/2" on center and within 12" of an end or joint.

Joints

Self-aligning, gasketed joining system. Access panels in the driver channel allow quick and hassle-free wiring of modules either before or after mechanical joints are completed.

Approvals

Certified to UL, CSA and IES standards. Certain suspended versions (24x5L) are DesignLights Consortium® qualified. Please see the DLC QPL list for exact catalog numbers (www.designlights.org/QPL).

Warranty

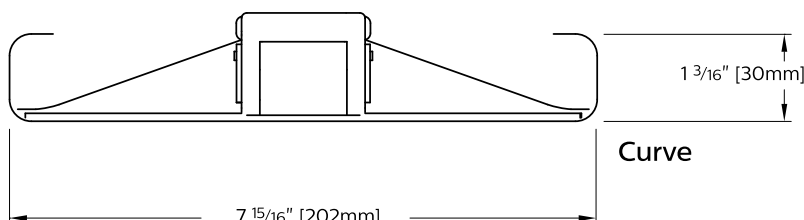
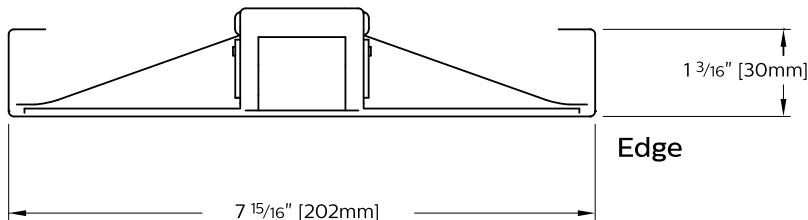
Philips indoor professional luminaires 5 year LED warranty: <http://www.philips.com/warranties>

Environment

Rated for dry or damp locations in operating ambient temperatures 0-40°C (32-104°F). Certain luminaire components may be adversely affected by contaminants. Damage caused by sulfur, chlorine, petroleum based solutions or other contaminants in the area of operation are not covered under warranty. Not suitable for natatorium environments.

Due to continuing product improvements, Philips Ledalite reserves the right to change the specifications without notice.

Dimensions - Cross Section

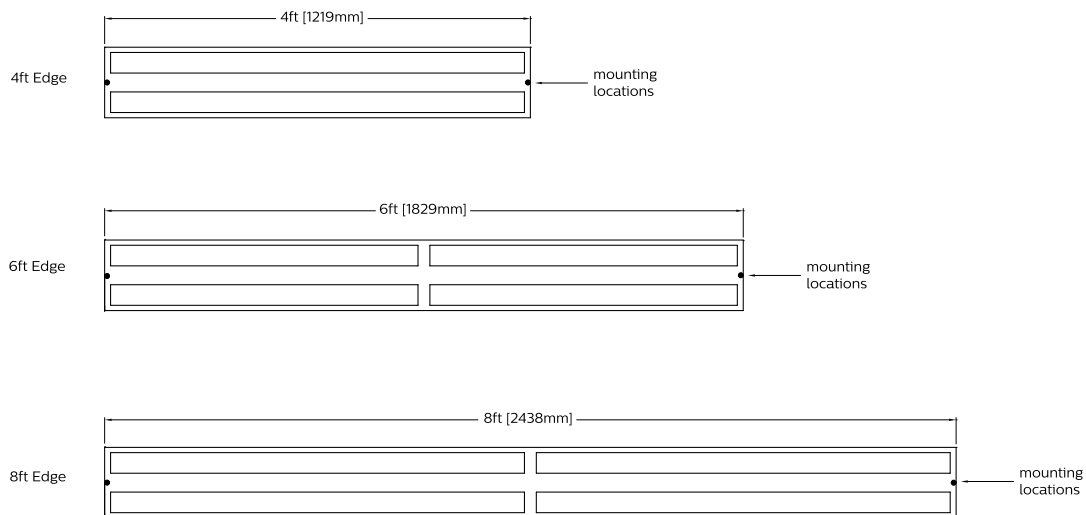


FloatPlane Suspended

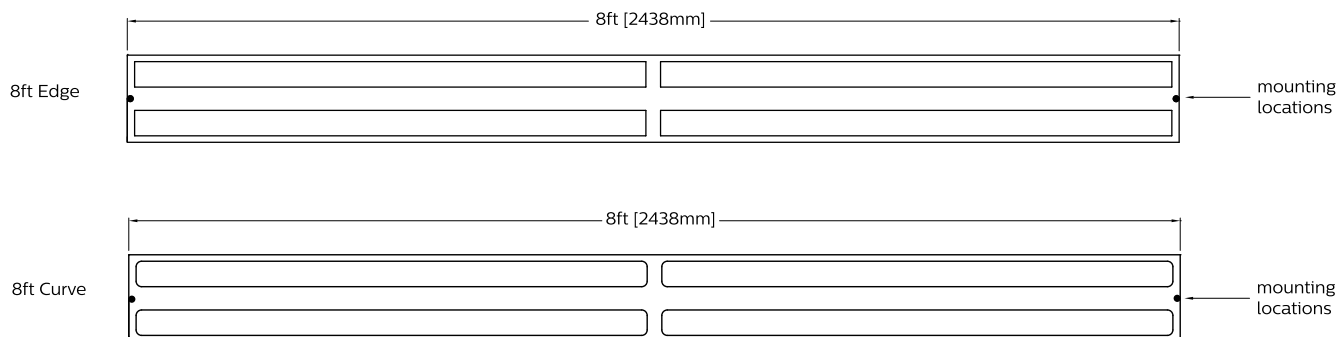
4500 lm/4ft

3000/3500/4000K

Dimensions - Modules



Optics and Styles

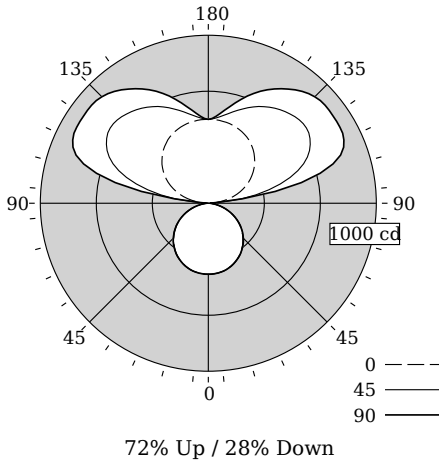


FloatPlane Suspended

4500 lm/4ft

3000/3500/4000K

Photometry - 3500K



Candela Distribution

Vertical Angle	Horizontal Angle				Zonal Lumens
	0	22.5	45	67.5	
0	423	423	423	423	0
5	421	421	421	421	40
15	410	407	410	410	115
25	383	381	384	386	177
35	343	342	346	346	215
45	291	292	294	295	226
55	230	231	234	233	207
65	160	162	162	160	159
75	85	86	86	86	91
85	20	21	23	23	26
90	0	4	9	10	11
95	45	75	91	57	45
105	153	237	444	623	689
115	248	403	651	830	891
125	326	493	730	864	906
135	389	525	729	855	896
145	437	533	691	794	830
155	471	527	632	709	736
165	491	513	563	603	618
175	499	502	509	515	519
180	499	499	499	499	499

Photometry based on 4ft white luminaire. Dust covers and non-white finishes reduce delivered lumens. Custom color finishes may shift output color temperature.

Fixture photometry has been conducted in accordance with IESNA LM-79-08

IES files for this and other photometric options can be downloaded online at www.lightingproducts.philips.com

Coefficients of Utilization (%)

RCR	Ceiling										0
	70	50	30	10	70	50	30	10	70	50	
0	102	102	102	102	91	91	91	71	71	71	28
1	93	89	85	81	83	79	76	62	60	58	23
2	84	77	71	66	75	69	64	54	51	48	19
3	77	68	60	55	68	61	55	48	43	40	16
4	70	60	52	46	62	54	47	42	37	34	14
5	64	53	45	39	57	48	41	38	33	29	12
6	59	47	39	34	52	43	36	34	29	25	10
7	54	42	35	29	48	38	32	30	25	22	9
8	50	38	31	26	45	35	28	28	23	19	8
9	47	35	28	23	42	31	25	25	20	17	7
10	43	32	25	20	39	29	23	23	18	15	7

Avg. Luminance (cd/m²)

Vertical Angle	Horizontal Angle		
	0	45	90
55	1969	2006	1993
65	1864	1881	1864
75	1616	1643	1616
85	1120	1280	1280

Distribution

Hemisphere	72% Up / 28% Down
Peak/Zenith	1.82
Peak Output	908 cd
Glare Control	Meets RP-1-12 recommendations for VDT-Critical spaces

Philips Ledalite

A Program of the U.S. DOE

Light Output (Lumens)	4458
Watts	35.6
Lumens per Watt (Efficacy)	125.22

Color Accuracy
Color Rendering Index (CRI) **82**

Light Color
Correlated Color Temperature (CCT) **3427 (Bright White)**

2700K
3000K
4500K
6500K

All results are according to IESNA LM-79-2008: Approved Method for the Electrical and Photometric Testing of Solid-State Lighting. The U.S. Department of Energy (DOE) verifies product test data and results.

Visit www.lightingfacts.com for the Label Reference Guide.

Registration Number: F46Z-HDCELJ (7/3/2015)
Model Number: 24x5LBAAA
Type: Luminaire - Linear

FloatPlane Suspended

4500 lm/4ft

3000/3500/4000K

Optical Performance

Nominal CCT:	3000K	3500K	4000K
Flux (lm)	4398	4458	4467
Efficacy (lm/W)	123.5	125.2	125.8
Power (W)	35.6	35.6	35.5
CCT (K)	3094	3427	4028
CRI	81	82	83
R9	3	6	11
x	0.4329	0.4122	0.3805
y	0.4073	0.4000	0.3811
Duv	0.0020	0.0030	0.0020

Electrical Performance - 3500K

Input Voltage	120V	277V	347V
Input Power	35.6W	34.9W	30.2W
Input Current	0.30A	0.13A	0.09A
Power Factor	0.990	0.980	0.956
Total Harm. Distortion	6.0%	12.9%	11.0%

Tested values . contact technical support for rated values. Off-state power zero unless certain controls are specified.

With SpaceWise DT, standby power <0.5W (120V) or <0.8W (277V).

