



# Linear

## FloatPlane Suspended LED

CRI >80 4000K, 6000 lm/4ft



Project: \_\_\_\_\_  
 Spec Type: \_\_\_\_\_  
 Catalog No: 24x5LABAG \_\_\_\_\_  
 Qty \_\_\_\_\_  
 Line Notes: \_\_\_\_\_

Interior spaces should resonate, evoke emotion and satisfy a purpose. With FloatPlane LED, it's easier than ever to integrate sleek and sporty style into your layout and within your budget. Fresh and playful with two profile options, Curve and Edge, FloatPlane's performance rivals that of high-end LED luminaires with the affordability of fluorescent.

### Ordering guide

Product Type	Version	Source	Color Temp *	Lumens *	Lower Optics	Upper Optics	Run Length	Wiring †	Voltage	Driver	Finish
24		L	A	B	A	G					
24 FloatPlane	G5 Edge Suspended R5 Curve Suspended	L LED	A 4000K B 3500K C 3000K	B 6000 lm/4ft C 4500 lm/4ft E 3200 lm/4ft	A Acrylic diffuser	A Acrylic diffuser G 75% Down Kit J 100% Down Kit	04 4' 06 6' 08 8' XX Total run length (2' increments)	1 1 cct 3 1 cct w/ EM cct 5 1 cct w/ BP 7 1 cct w/ Dimming 8 1 cct w/ TW B 2 cct A/B N 1 cct w/ Dim & BP	1 120V 2 277V 3 347V	E Philips Advance  Other drivers available - consult factory	W Standard White T Titanium Silver B Black C Custom

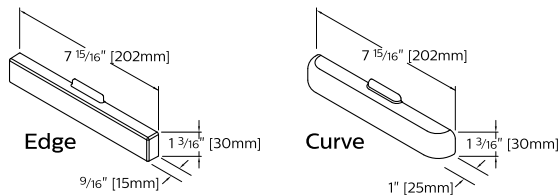
\* Nominal values within a range. Consult ies file for exact color temp, lumens and up/down distribution † Consult website for complete list of standard wiring options

### Mounting Hardware

**Mount Type**  
Consult separate mounting spec sheet for mount type options

**Suspension Length**  
Distance from ceiling to top of luminaire in inches

Endcaps -  Edge/Curve



**Integrated Controls** Please indicate with check mark.

- Response Daylight Sensor Single Zone (DS)
- Philips Actilume Occupancy Sensor (DO) (includes field commissionable daylight sensor)



# FloatPlane Suspended LED

CRI >80 4000K, 6000 lm/4ft

## Housing

Precision formed 18 gauge cold-rolled steel. Approx. cross section size: 1.5”h x 8”w (suspended) or 5.7”w (wall mount).

## Weight

Maximum: Suspended 3.5lb/ft, Wall 3.3lb/ft

## Optical System

White light emitted from dual linear arrays of lateral-facing LEDs is diffused and redirected into the upper and lower hemispheres through a combination of high reflectivity components and acrylic diffusers. This delivers a high efficiency 70% up / 30% down indirect/direct distribution with a wide, homogeneous batwing distribution in the upper hemisphere. Twin polymer diffusers on the lower surface with a combined optical aperture of 5-1/2” deliver a uniform, controlled brightness to maximize visual comfort and luminaire efficacy. Factory or field installable variable optics kits are available to modify the distribution to 75% down or close to 100% down light.

## Standard Driver

Philips Advance Xitanium. Output is Class 2 rated. Dimming: 0-10V, 5-100%.

## Electrical

Pre-wired to module ends, quick-wire connectors included.

## Mounting

**Suspended:** Rapid installation sling mount at joints and ends. High strength aircraft cable and stainless steel gripper provide unlimited vertical adjustment and are independently tested to meet stringent safety requirements.

**Wall:** A hidden steel rail and bracket system attaches to the existing structure and supports housings close to the wall. Mount positioning is fully variable along the modules to accommodate site conditions, but should be no more than 4-1/2ft on center and always within 12” of an end or joint.

## Joints

Self-aligning, gasketed joining system. Access panels in the driver channel allow quick and hassle-free wiring of modules either before or after mechanical joints are completed.

## Endcaps

Diecast aluminum endcaps in either Edge or Curve versions to match housing.

## Finish

High quality powder coated, available in matte white, black or titanium silver. Other custom colors, including Pacific Aqua and Surf Yellow, available on request.

## Approvals

Certified to UL, CSA and IES standards.

## Lumen Maintenance

Lumen maintenance of the LEDs has been tested by the manufacturer in accordance with IESNA LM-80-08. At an ambient temperature of 25°C, the LED lumen maintenance expectation is:

**Suspended:**L<sub>80</sub> (12k) 70,000 hrs

**Wall mount:**L<sub>80</sub> (12k) 64,000 hrs

according to IES TM-21-11 Addendum A Reported methodology

## Warranty

Philips indoor professional luminaires 5 year LED warranty:

<http://www.philips.com/warranties>

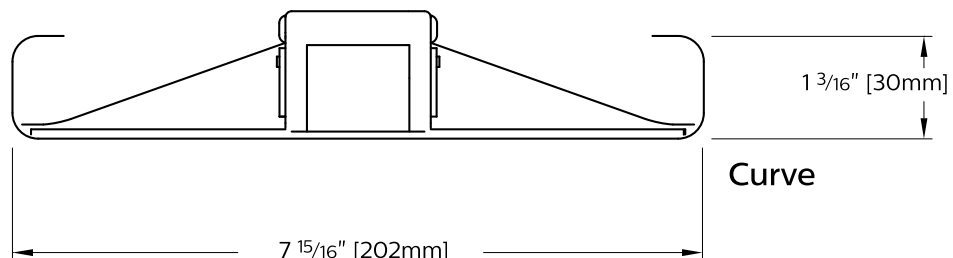
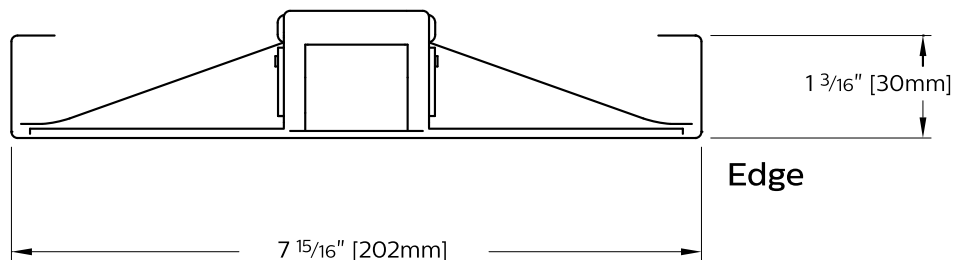
## Environment

Rated for dry or damp locations in operating ambient temperatures 0-40°C (32-104°F). Certain luminaire components may be adversely affected by contaminants. Damage caused by sulfur, chlorine, petroleum based solutions or other contaminants in the area of operation are not covered under warranty. Not suitable for natatorium environments.

Due to continuing product improvements, Philips Ledalite reserves the right to change the specifications without notice.

## Options and Details

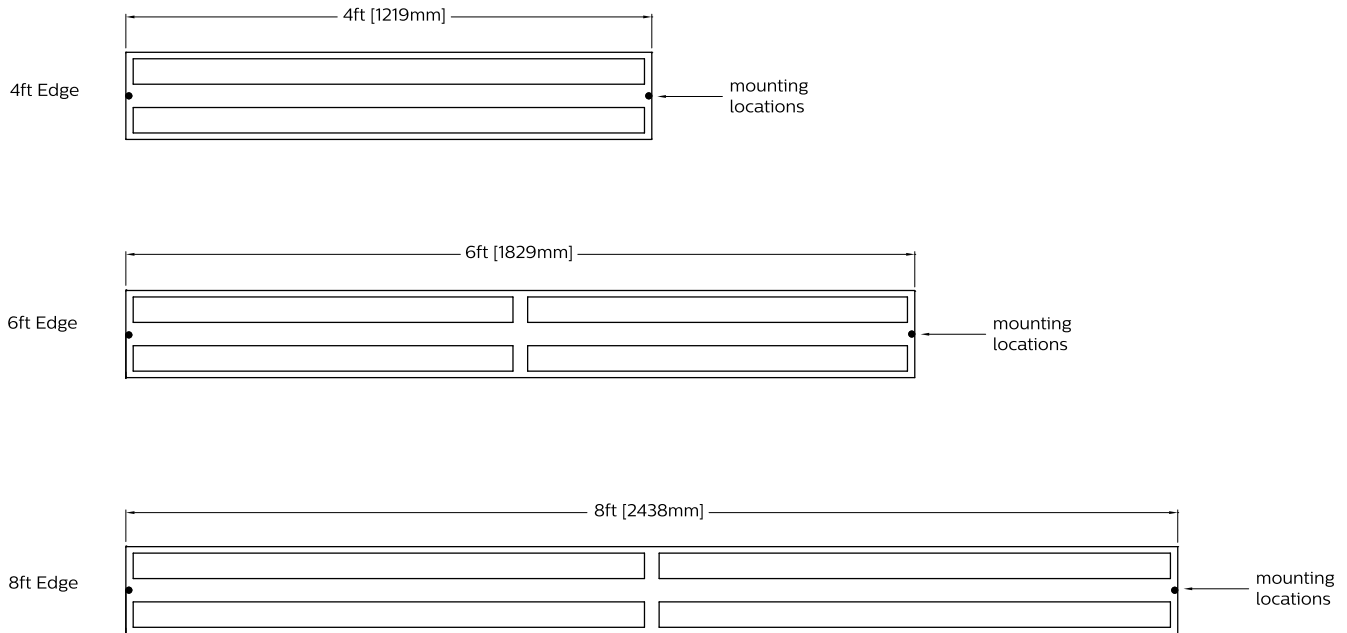
### Cross Section



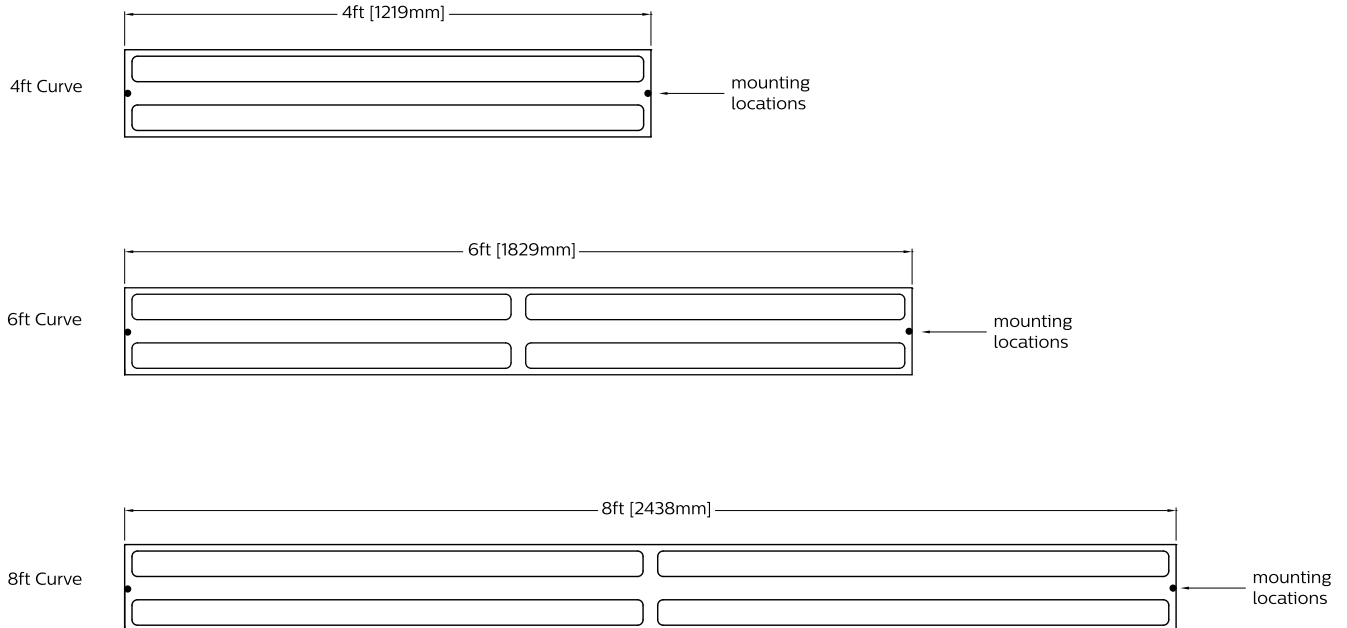
# FloatPlane Suspended LED

CRI >80 4000K, 6000 lm/4ft

## Modules - Edge



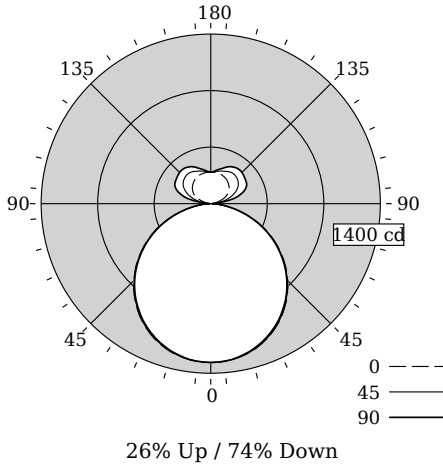
## Modules - Curve



# FloatPlane Suspended LED

CRI >80 4000K, 6000 lm/4ft

## Photometry



Total Output	5140 lm
Efficacy	103.2 lm/W
CCT	3907K
CRI	83
R9	10
Distribution	26% Up / 74% Down
Spacing Criteria (0/90/180°)	1.28/1.26/NA

Photometry based on 4ft white luminaire. Black, Titanium and Custom color finishes may reduce delivered lumens. Custom color finishes may shift output color temperature.

Fixture photometry has been conducted by an NVLAP accredited testing laboratory in accordance with IESNA LM-79-08

IES files for this and other photometric options can be downloaded online at [www.lightingproducts.philips.com](http://www.lightingproducts.philips.com)

## Candela Distribution

Vertical Angle	Horizontal Angle				Zonal Lumens
	0	45	67.5	90	
0	1311	1311	1311	1311	0
5	1307	1305	1305	1305	124
15	1268	1260	1266	1260	357
25	1184	1176	1182	1178	543
35	1058	1051	1056	1051	659
45	900	894	896	890	689
55	708	706	702	698	627
65	494	490	488	484	482
75	261	261	259	257	274
85	59	61	65	65	74
90	0	4	6	8	0
95	16	24	37	35	41
105	65	74	139	204	231
115	135	155	223	296	323
125	182	212	278	331	349
135	212	243	304	345	365
145	235	257	310	347	363
155	249	265	294	323	335
165	257	263	278	290	296
175	261	261	263	267	267
180	261	261	261	261	0

## Coefficients of Utilization (%)

RCR	Ceiling/Wall										
	70	50	30	10	70	50	30	50	30	10	0
0	113	113	113	113	107	107	107	97	97	97	74
1	103	98	94	90	98	94	90	85	82	79	62
2	94	86	79	73	89	82	76	74	69	65	52
3	85	75	67	61	81	72	64	65	59	54	43
4	78	66	58	51	74	63	56	58	51	46	37
5	71	59	50	44	68	56	49	51	45	40	32
6	66	53	44	38	62	51	43	46	40	35	28
7	61	48	39	34	58	46	38	42	35	31	24
8	57	44	35	30	54	42	34	38	32	27	22
9	53	40	32	27	50	38	31	35	29	24	20
10	49	37	29	24	47	35	28	32	26	22	18

## Avg. Luminance (cd/m<sup>2</sup>)

Vertical Angle	Horizontal Angle		
	0	45	90
55	6065	6015	5964
65	5746	5678	5609
75	4952	4915	4840
85	3317	3649	3649

## Electrical Specifications

Input Voltage	120V	277V
Input Power	49.8W	49.2W
Input Current	0.42A	0.18A
Power Factor	0.998	0.963
Total Harm. Distortion	6.5%	13.4%
Tested values – contact technical support for rated values. Off-state power zero unless certain controls are specified.		

