



Linear

FloatPlane Suspended LED

CRI >80 4000K, 6000 lm/4ft



Project: _____
 Spec Type: _____
 Catalog No: 24x5LABAA _____
 Qty _____
 Line Notes: _____

Interior spaces should resonate, evoke emotion and satisfy a purpose. With FloatPlane LED, it's easier than ever to integrate sleek and sporty style into your layout and within your budget. Fresh and playful with two profile options, Curve and Edge, FloatPlane's performance rivals that of high-end LED luminaires with the affordability of fluorescent.

Ordering guide

Product Type	Version	Source	Color Temp *	Lumens *	Lower Optics	Upper Optics	Run Length	Wiring †	Voltage	Driver	Finish
24		L	A	B	A	A					
24 FloatPlane	G5 Edge Suspended R5 Curve Suspended	L LED	A 4000K B 3500K C 3000K	B 6000 lm/4ft C 4500 lm/4ft E 3200 lm/4ft	A Acrylic diffuser	A Acrylic diffuser G 75% Down Kit J 100% Down Kit	04 4' 06 6' 08 8' XX Total run length (2' increments)	1 1 cct 3 1 cct w/ EM cct 5 1 cct w/ BP 7 1 cct w/ Dimming 8 1 cct w/ TW B 2 cct A/B N 1 cct w/ Dim & BP	1 120V 2 277V 3 347V	E Philips Advance Other drivers available - consult factory	W Standard White T Titanium Silver B Black C Custom

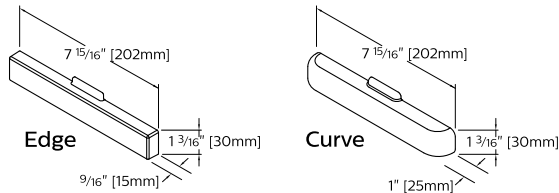
* Nominal values within a range. Consult ies file for exact color temp, lumens and up/down distribution † Consult website for complete list of standard wiring options

Mounting Hardware

Mount Type
Consult separate mounting spec sheet for mount type options

Suspension Length
Distance from ceiling to top of luminaire in inches

Endcaps - Edge/Curve



Integrated Controls Please indicate with check mark.

- Response Daylight Sensor Single Zone (DS)
- Philips Actilume Occupancy Sensor (DO) (includes field commissionable daylight sensor)



FloatPlane Suspended LED

CRI >80 4000K, 6000 lm/4ft

Housing

Precision formed 18 gauge cold-rolled steel. Approx. cross section size: 1.5”h x 8”w (suspended) or 5.7”w (wall mount).

Weight

Maximum: Suspended 3.5lb/ft, Wall 3.3lb/ft

Optical System

White light emitted from dual linear arrays of lateral-facing LEDs is diffused and redirected into the upper and lower hemispheres through a combination of high reflectivity components and acrylic diffusers. This delivers a high efficiency 70% up / 30% down indirect/direct distribution with a wide, homogeneous batwing distribution in the upper hemisphere. Twin polymer diffusers on the lower surface with a combined optical aperture of 5-1/2” deliver a uniform, controlled brightness to maximize visual comfort and luminaire efficacy. Factory or field installable variable optics kits are available to modify the distribution to 75% down or close to 100% down light.

Standard Driver

Philips Advance Xitanium. Output is Class 2 rated. Dimming: 0-10V, 5-100%.

Electrical

Pre-wired to module ends, quick-wire connectors included.

Mounting

Suspended: Rapid installation sling mount at joints and ends. High strength aircraft cable and stainless steel gripper provide unlimited vertical adjustment and are independently tested to meet stringent safety requirements.

Wall: A hidden steel rail and bracket system attaches to the existing structure and supports housings close to the wall. Mount positioning is fully variable along the modules to accommodate site conditions, but should be no more than 4-1/2ft on center and always within 12” of an end or joint.

Joints

Self-aligning, gasketed joining system. Access panels in the driver channel allow quick and hassle-free wiring of modules either before or after mechanical joints are completed.

Endcaps

Diecast aluminum endcaps in either Edge or Curve versions to match housing.

Finish

High quality powder coated, available in matte white, black or titanium silver. Other custom colors, including Pacific Aqua and Surf Yellow, available on request.

Approvals

Certified to UL, CSA and IES standards.

Lumen Maintenance

Lumen maintenance of the LEDs has been tested by the manufacturer in accordance with IESNA LM-80-08. At an ambient temperature of 25°C, the LED lumen maintenance expectation is:

Suspended:L₈₀ (12k) 70,000 hrs

Wall mount:L₈₀ (12k) 64,000 hrs

according to IES TM-21-11 Addendum A Reported methodology

Warranty

Philips indoor professional luminaires 5 year LED warranty:

<http://www.philips.com/warranties>

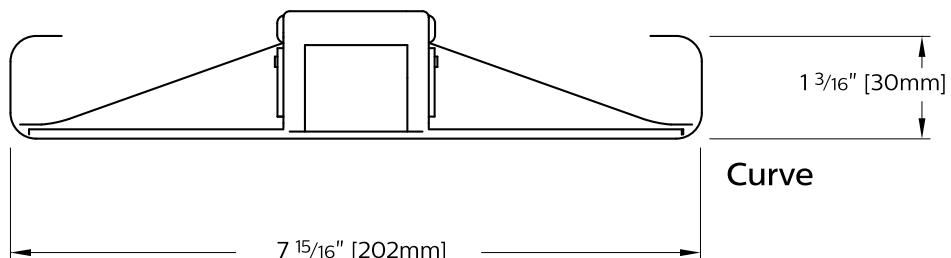
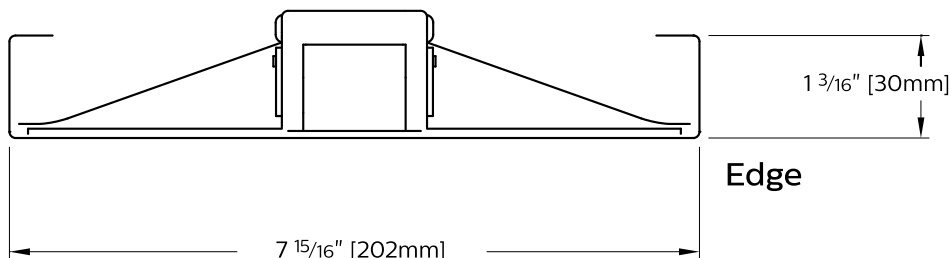
Environment

Rated for dry or damp locations in operating ambient temperatures 0-40°C (32-104°F). Certain luminaire components may be adversely affected by contaminants. Damage caused by sulfur, chlorine, petroleum based solutions or other contaminants in the area of operation are not covered under warranty. Not suitable for natatorium environments.

Due to continuing product improvements, Philips Ledalite reserves the right to change the specifications without notice.

Options and Details

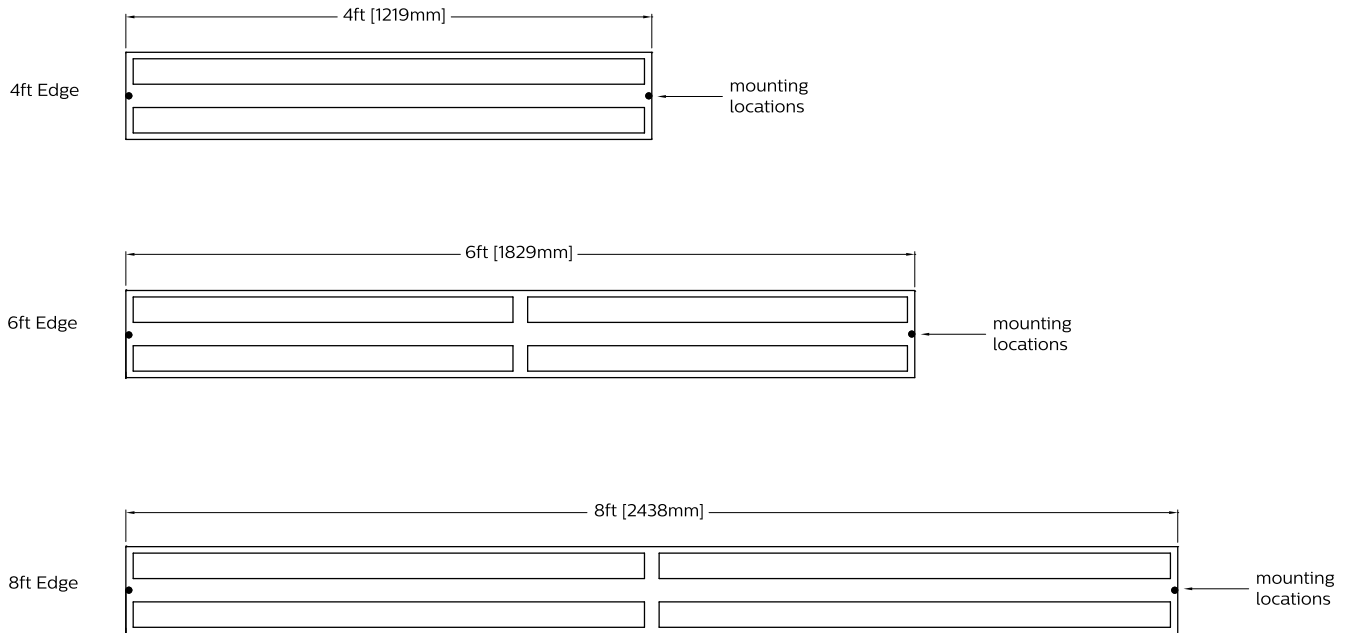
Cross Section



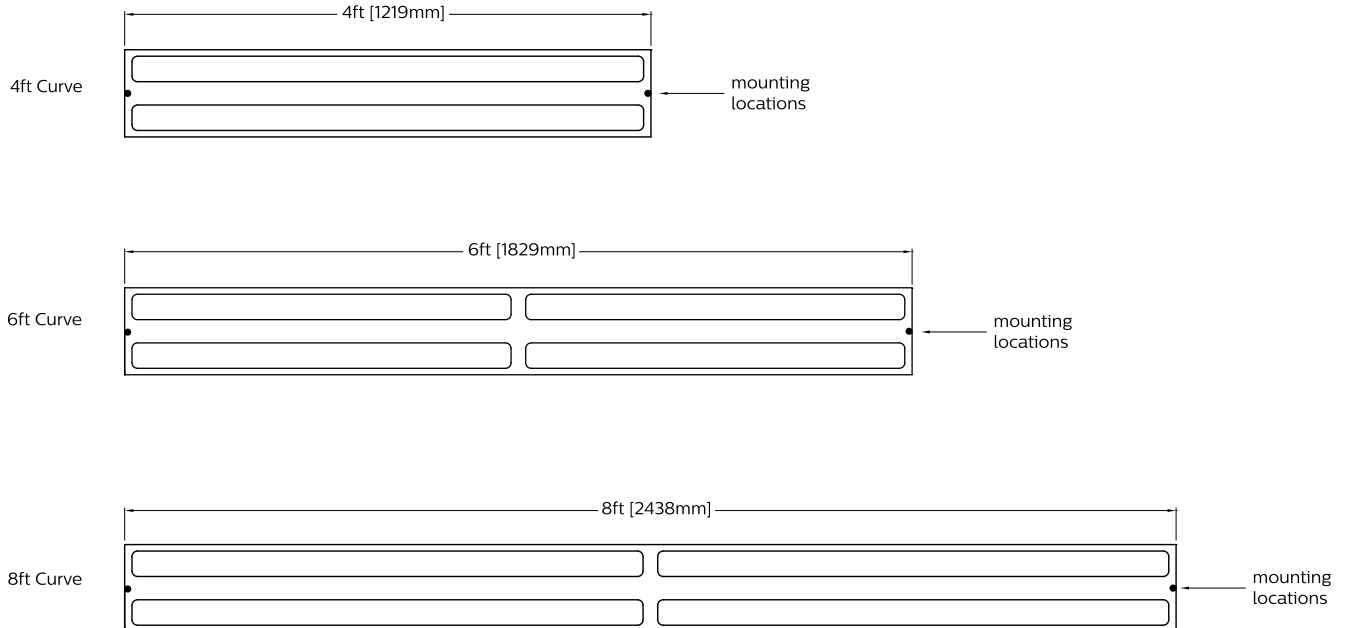
FloatPlane Suspended LED

CRI >80 4000K, 6000 lm/4ft

Modules - Edge



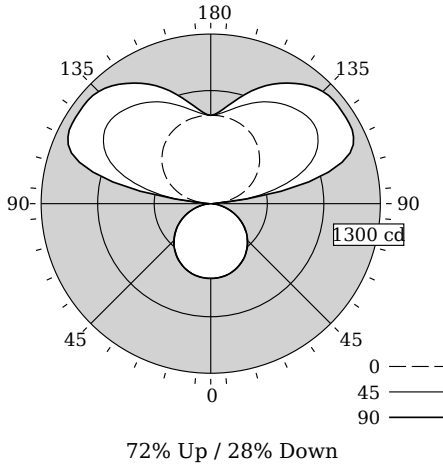
Modules - Curve



FloatPlane Suspended LED

CRI >80 4000K, 6000 lm/4ft

Photometry



Total Output	6045 lm
Efficacy	121.9 lm/W
CCT	4028K
CRI	83
R9	11
Distribution	72% Up / 28% Down
Peak/Zenith Ratio	1.82
Peak Output	1231 cd @ 128°
Meets RP-1-12 recommendations for VDT-Normal spaces	

Photometry based on 4ft white luminaire. Black, Titanium and Custom color finishes may reduce delivered lumens. Custom color finishes may shift output color temperature.

Fixture photometry has been conducted by an NVLAP accredited testing laboratory in accordance with IESNA LM-79-08

IES files for this and other photometric options can be downloaded online at www.lightingproducts.philips.com

Candela Distribution

Vertical Angle	Horizontal Angle				Zonal Lumens	
	0	22.5	45	67.5		
0	573	573	573	573	0	
5	571	571	571	571	54	
15	556	552	556	556	157	
25	519	517	521	523	240	
35	465	463	469	469	292	
45	394	396	398	400	307	
55	312	313	317	315	281	
65	217	219	219	217	216	
75	115	117	117	117	124	
85	27	29	31	31	36	
90	0	6	12	13	15	0
95	62	102	123	77	62	143
105	208	321	602	844	935	603
115	337	546	883	1125	1208	817
125	442	669	990	1171	1229	819
135	527	712	988	1160	1215	721
145	592	723	937	1077	1125	565
155	638	715	858	962	998	388
165	665	696	763	817	838	216
175	677	681	690	698	704	67
180	677	677	677	677	677	0

Coefficients of Utilization (%)

RCR	Ceiling: Wall											
	70	50	30	10	70	50	30	50	30	10	0	0
0	102	102	102	102	91	91	91	71	71	71	28	28
1	93	89	85	81	83	79	76	62	60	58	23	23
2	84	77	71	66	75	69	64	54	51	48	19	19
3	77	68	60	55	68	61	55	48	43	40	16	16
4	70	60	52	46	62	54	47	42	37	34	14	14
5	64	53	45	39	57	48	41	38	33	29	12	12
6	59	47	39	34	52	43	36	34	29	25	10	10
7	54	42	35	29	48	38	32	30	25	22	9	9
8	50	38	31	26	45	35	28	28	23	19	8	8
9	47	35	28	23	42	31	25	25	20	17	7	7
10	43	32	25	20	39	29	23	23	18	15	7	7

Avg. Luminance (cd/m²)

Vertical Angle	Horizontal Angle		
	0	45	90
55	2670	2720	2703
65	2528	2550	2528
75	2192	2228	2192
85	1519	1736	1736

Philips Ledalite

Light Output (Lumens) **6045**

Watts **49.6**

Lumens per Watt (Efficacy) **121.88**

Color Accuracy **83**

Color Rendering Index (CRI)

Light Color **4028 (Bright White)**

Correlated Color Temperature (CCT)

2700K 3000K 4500K 6500K

All results are according to IESNA LM-79-2008: Approved Method for the Electrical and Photometric Testing of Solid-State Lighting. The U.S. Department of Energy (DOE) verifies product test data and results.

Visit www.lightingfacts.com for the Label Reference Guide.

Registration Number: F46Z-BVHW3Y (7/3/2015)
Model Number: 24x5LABAA
Type: Luminaire - Linear

Electrical Specifications

Input Voltage	120V	277V
Input Power	49.6W	49W
Input Current	0.41A	0.18A
Power Factor	0.998	0.963
Total Harm. Distortion	6.5%	13.4%
Tested values – contact technical support for rated values. Off-state power zero unless certain controls are specified.		

