

Linear

FloatPlane Suspended LED

CRI >80 4000K, 4500 lm/4ft



Project: _____
 Spec Type: _____
 Catalog No: 24x5LACAJ _____
 Qty _____
 Line Notes: _____

Interior spaces should resonate, evoke emotion and satisfy a purpose. With FloatPlane LED, it's easier than ever to integrate sleek and sporty style into your layout and within your budget. Fresh and playful with two profile options, Curve and Edge, FloatPlane's performance rivals that of high-end LED luminaires with the affordability of fluorescent.

Ordering guide

Product Type	Version	Source	Color Temp *	Lumens *	Lower Optics	Upper Optics	Run Length	Wiring †	Voltage	Driver	Finish
24		L	A	C	A	J					
24 FloatPlane	G5 Edge Suspended R5 Curve Suspended	L LED	A 4000K B 3500K C 3000K	B 6000 lm/4ft C 4500 lm/4ft E 3200 lm/4ft	A Acrylic diffuser	A Acrylic diffuser G 75% Down Kit J 100% Down Kit	04 4' 06 6' 08 8' XX Total run length (2' increments)	1 1 cct 3 1 cct w/ EM cct 5 1 cct w/ BP 7 1 cct w/ Dimming 8 1 cct w/ TW B 2 cct A/B N 1 cct w/ Dim & BP	1 120V 2 277V 3 347V	E Philips Advance Other drivers available - consult factory	W Standard White T Titanium Silver B Black C Custom

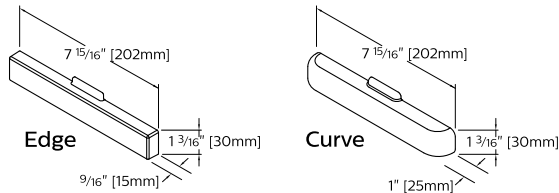
* Nominal values within a range. Consult ies file for exact color temp, lumens and up/down distribution † Consult website for complete list of standard wiring options

Mounting Hardware

Mount Type
Consult separate mounting spec sheet for mount type options

Suspension Length
Distance from ceiling to top of luminaire in inches

Endcaps - Edge/Curve



Integrated Controls Please indicate with check mark.

- Response Daylight Sensor Single Zone (DS)
- Philips Actilume Occupancy Sensor (DO) (includes field commissionable daylight sensor)

FloatPlane Suspended LED

CRI >80 4000K, 4500 lm/4ft

Housing

Precision formed 18 gauge cold-rolled steel. Approx. cross section size: 1.5”h x 8”w (suspended) or 5.7”w (wall mount).

Weight

Maximum: Suspended 3.5lb/ft, Wall 3.3lb/ft

Optical System

White light emitted from dual linear arrays of lateral-facing LEDs is diffused and redirected into the upper and lower hemispheres through a combination of high reflectivity components and acrylic diffusers. This delivers a high efficiency 70% up / 30% down indirect/direct distribution with a wide, homogeneous batwing distribution in the upper hemisphere. Twin polymer diffusers on the lower surface with a combined optical aperture of 5-1/2” deliver a uniform, controlled brightness to maximize visual comfort and luminaire efficacy. Factory or field installable variable optics kits are available to modify the distribution to 75% down or close to 100% down light.

Standard Driver

Philips Advance Xitanium. Output is Class 2 rated. Dimming: 0-10V, 5-100%.

Electrical

Pre-wired to module ends, quick-wire connectors included.

Mounting

Suspended: Rapid installation sling mount at joints and ends. High strength aircraft cable and stainless steel gripper provide unlimited vertical adjustment and are independently tested to meet stringent safety requirements.

Wall: A hidden steel rail and bracket system attaches to the existing structure and supports housings close to the wall. Mount positioning is fully variable along the modules to accommodate site conditions, but should be no more than 4-1/2ft on center and always within 12” of an end or joint.

Joints

Self-aligning, gasketed joining system. Access panels in the driver channel allow quick and hassle-free wiring of modules either before or after mechanical joints are completed.

Endcaps

Diecast aluminum endcaps in either Edge or Curve versions to match housing.

Finish

High quality powder coated, available in matte white, black or titanium silver. Other custom colors, including Pacific Aqua and Surf Yellow, available on request.

Approvals

Certified to UL, CSA and IES standards.

Lumen Maintenance

Lumen maintenance of the LEDs has been tested by the manufacturer in accordance with IESNA LM-80-08. At an ambient temperature of 25°C, the LED lumen maintenance expectation is:

Suspended:L₈₀ (12k) 70,000 hrs

Wall mount:L₈₀ (12k) 64,000 hrs

according to IES TM-21-11 Addendum A Reported methodology

Warranty

Philips indoor professional luminaires 5 year LED warranty:

<http://www.philips.com/warranties>

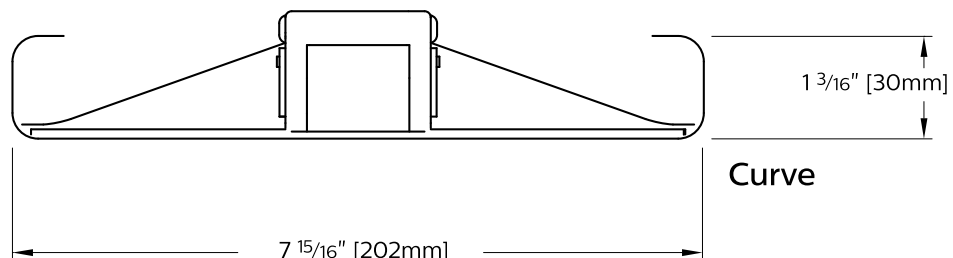
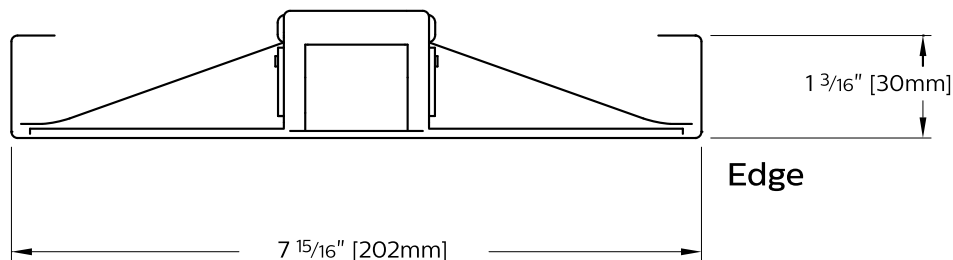
Environment

Rated for dry or damp locations in operating ambient temperatures 0-40°C (32-104°F). Certain luminaire components may be adversely affected by contaminants. Damage caused by sulfur, chlorine, petroleum based solutions or other contaminants in the area of operation are not covered under warranty. Not suitable for natatorium environments.

Due to continuing product improvements, Philips Ledalite reserves the right to change the specifications without notice.

Options and Details

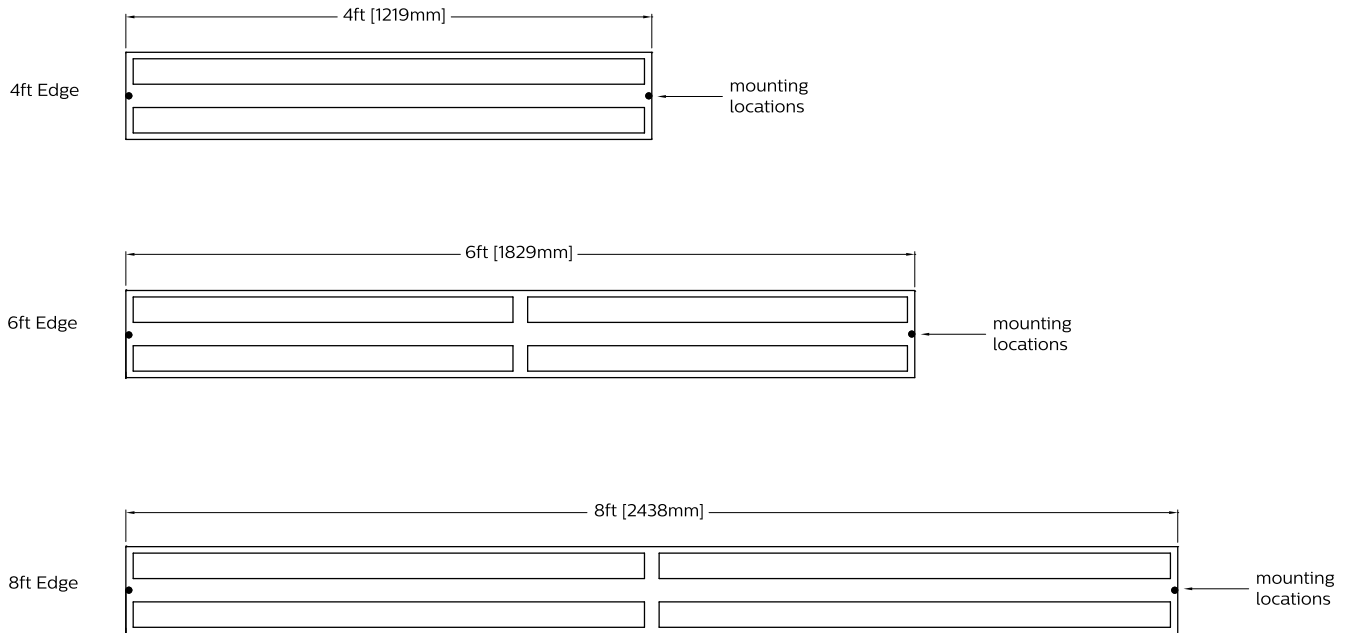
Cross Section



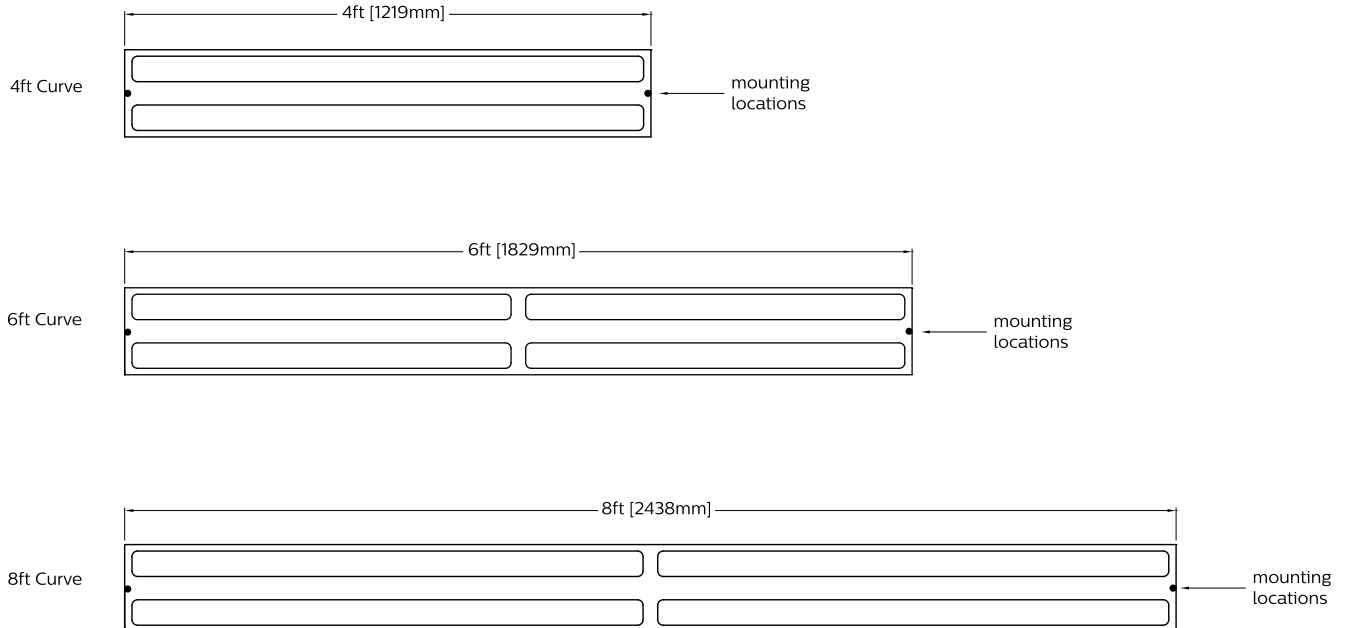
FloatPlane Suspended LED

CRI >80 4000K, 4500 lm/4ft

Modules - Edge



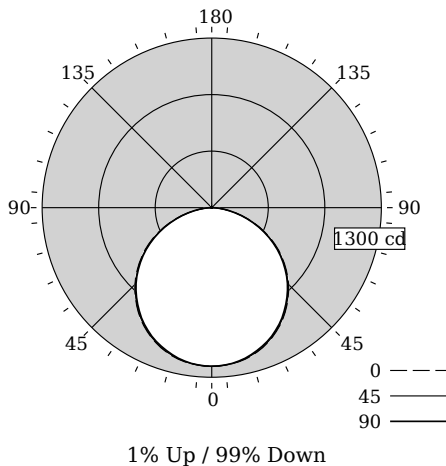
Modules - Curve



FloatPlane Suspended LED

CRI >80 4000K, 4500 lm/4ft

Photometry



Total Output	3564 lm
Efficacy	100.1 lm/W
CCT	3907K
CRI	83
R9	10
Distribution	1% Up / 99% Down
Spacing Criteria (0/90/180°)	1.27/1.26/NA

Photometry based on 4ft white luminaire. Black, Titanium and Custom color finishes may reduce delivered lumens. Custom color finishes may shift output color temperature.

Fixture photometry has been conducted by an NVLAP accredited testing laboratory in accordance with IESNA LM-79-08

IES files for this and other photometric options can be downloaded online at www.lightingproducts.philips.com

Candela Distribution

Vertical Angle	Horizontal Angle				Zonal Lumens
	0	45	67.5	90	
0	1216	1216	1216	1216	0
5	1211	1211	1211	1210	115
15	1177	1169	1172	1172	331
25	1097	1090	1094	1092	503
35	981	973	978	972	609
45	833	826	828	820	636
55	655	650	649	643	579
65	454	451	447	443	442
75	242	238	236	235	251
85	53	56	59	61	69
90	0	0	0	0	0
95	3	1	0	0	1
105	4	3	3	1	3
115	4	6	4	3	4
125	6	6	6	4	5
135	7	7	7	6	5
145	9	7	7	6	4
155	9	7	7	6	3
165	7	7	7	7	2
175	7	7	6	6	1
180	7	7	7	7	0

Coefficients of Utilization (%)

RCR	Ceiling Wall											
	70	50	30	10	70	50	30	50	30	10	0	0
0	119	119	119	119	116	116	116	111	111	111	99	99
1	108	104	99	95	106	101	97	97	94	91	83	83
2	98	90	83	77	96	88	82	84	79	75	69	69
3	90	79	71	64	87	77	70	74	68	62	58	58
4	82	70	61	54	80	69	60	66	59	53	49	49
5	75	62	53	47	73	61	53	59	51	46	42	42
6	70	56	47	41	68	55	47	53	46	40	37	37
7	64	51	42	36	63	50	42	48	41	35	33	33
8	60	46	38	32	58	46	37	44	37	31	29	29
9	56	42	34	29	55	42	34	41	33	28	26	26
10	52	39	31	26	51	39	31	38	31	26	24	24

Avg. Luminance (cd/m²)

Vertical Angle	Horizontal Angle		
	0	45	90
55	5612	5562	5513
65	5284	5201	5150
75	4602	4492	4465
85	3010	3335	3417

Philips Ledalite

Lighting facts
A Program of the U.S. DOE

Light Output (Lumens) **3564**

Watts **35.6**

Lumens per Watt (Efficacy) **100.11**

Color Accuracy **83**

Color Rendering Index (CRI)

Light Color **3907 (Bright White)**

Correlated Color Temperature (CCT)

2700K 3000K 4500K 6500K

All results are according to IESNA LM-79-2008: Approved Method for the Electrical and Photometric Testing of Solid-State Lighting. The U.S. Department of Energy (DOE) verifies product test data and results.

Visit www.lightingfacts.com for the Label Reference Guide.

Registration Number: F46Z-SJX3A3 (7/3/2015)
Model Number: 24x5LACAJ
Type: Luminaire - Linear

Electrical Specifications

Input Voltage	120V	277V
Input Power	35.6W	34.9W
Input Current	0.3A	0.13A
Power Factor	0.99	0.98
Total Harm. Distortion	6%	12.9%
Tested values – contact technical support for rated values. Off-state power zero unless certain controls are specified.		

