

Linear

FloatPlane Suspended LED

CRI >80 3500K, 6000 lm/4ft



Project: _____
 Spec Type: _____
 Catalog No: 24x5LBBAG _____
 Qty _____
 Line Notes: _____

Interior spaces should resonate, evoke emotion and satisfy a purpose. With FloatPlane LED, it's easier than ever to integrate sleek and sporty style into your layout and within your budget. Fresh and playful with two profile options, Curve and Edge, FloatPlane's performance rivals that of high-end LED luminaires with the affordability of fluorescent.

Ordering guide

Product Type	Version	Source	Color Temp *	Lumens *	Lower Optics	Upper Optics	Run Length	Wiring †	Voltage	Driver	Finish
24		L	B	B	A	G					
24 FloatPlane	G5 Edge Suspended R5 Curve Suspended	L LED	A 4000K B 3500K C 3000K	B 6000 lm/4ft C 4500 lm/4ft E 3200 lm/4ft	A Acrylic diffuser	A Acrylic diffuser G 75% Down Kit J 100% Down Kit	04 4' 06 6' 08 8' XX Total run length (2' increments)	1 1 cct 3 1 cct w/ EM cct 5 1 cct w/ BP 7 1 cct w/ Dimming 8 1 cct w/ TW B 2 cct A/B N 1 cct w/ Dim & BP	1 120V 2 277V 3 347V	E Philips Advance Other drivers available - consult factory	W Standard White T Titanium Silver B Black C Custom

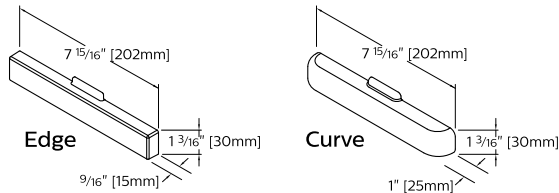
* Nominal values within a range. Consult ies file for exact color temp, lumens and up/down distribution † Consult website for complete list of standard wiring options

Mounting Hardware

Mount Type
Consult separate mounting spec sheet for mount type options

Suspension Length
Distance from ceiling to top of luminaire in inches

Endcaps - Edge/Curve



Integrated Controls Please indicate with check mark.

- Response Daylight Sensor Single Zone (DS)
- Philips Actilume Occupancy Sensor (DO) (includes field commissionable daylight sensor)

FloatPlane Suspended LED

CRI >80 3500K, 6000 lm/4ft

Housing

Precision formed 18 gauge cold-rolled steel. Approx. cross section size: 1.5" h x 8" w (suspended) or 5.7" w (wall mount).

Weight

Maximum: Suspended 3.5lb/ft, Wall 3.3lb/ft

Optical System

White light emitted from dual linear arrays of lateral-facing LEDs is diffused and redirected into the upper and lower hemispheres through a combination of high reflectivity components and acrylic diffusers. This delivers a high efficiency 70% up / 30% down indirect/direct distribution with a wide, homogeneous batwing distribution in the upper hemisphere. Twin polymer diffusers on the lower surface with a combined optical aperture of 5-1/2" deliver a uniform, controlled brightness to maximize visual comfort and luminaire efficacy. Factory or field installable variable optics kits are available to modify the distribution to 75% down or close to 100% down light.

Standard Driver

Philips Advance Xitanium. Output is Class 2 rated. Dimming: 0-10V, 5-100%.

Electrical

Pre-wired to module ends, quick-wire connectors included.

Mounting

Suspended: Rapid installation sling mount at joints and ends. High strength aircraft cable and stainless steel gripper provide unlimited vertical adjustment and are independently tested to meet stringent safety requirements.

Wall: A hidden steel rail and bracket system attaches to the existing structure and supports housings close to the wall. Mount positioning is fully variable along the modules to accommodate site conditions, but should be no more than 4-1/2" on center and always within 12" of an end or joint.

Joints

Self-aligning, gasketed joining system. Access panels in the driver channel allow quick and hassle-free wiring of modules either before or after mechanical joints are completed.

Endcaps

Diecast aluminum endcaps in either Edge or Curve versions to match housing.

Finish

High quality powder coated, available in matte white, black or titanium silver. Other custom colors, including Pacific Aqua and Surf Yellow, available on request.

Approvals

Certified to UL, CSA and IES standards.

Lumen Maintenance

Lumen maintenance of the LEDs has been tested by the manufacturer in accordance with IESNA LM-80-08. At an ambient temperature of 25°C, the LED lumen maintenance expectation is:

Suspended: L₈₀ (12k) 70,000 hrs

Wall mount: L₈₀ (12k) 64,000 hrs

according to IES TM-21-11 Addendum A Reported methodology

Warranty

Philips indoor professional luminaires 5 year LED warranty:

<http://www.philips.com/warranties>

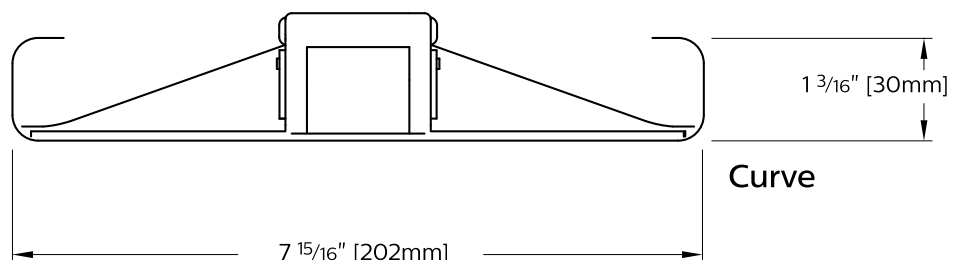
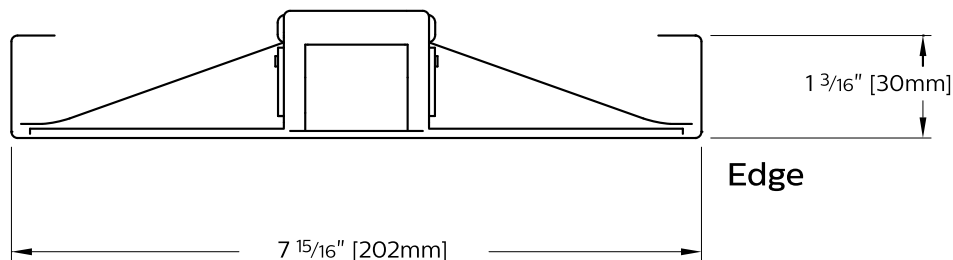
Environment

Rated for dry or damp locations in operating ambient temperatures 0-40°C (32-104°F). Certain luminaire components may be adversely affected by contaminants. Damage caused by sulfur, chlorine, petroleum based solutions or other contaminants in the area of operation are not covered under warranty. Not suitable for natatorium environments.

Due to continuing product improvements, Philips Ledalite reserves the right to change the specifications without notice.

Options and Details

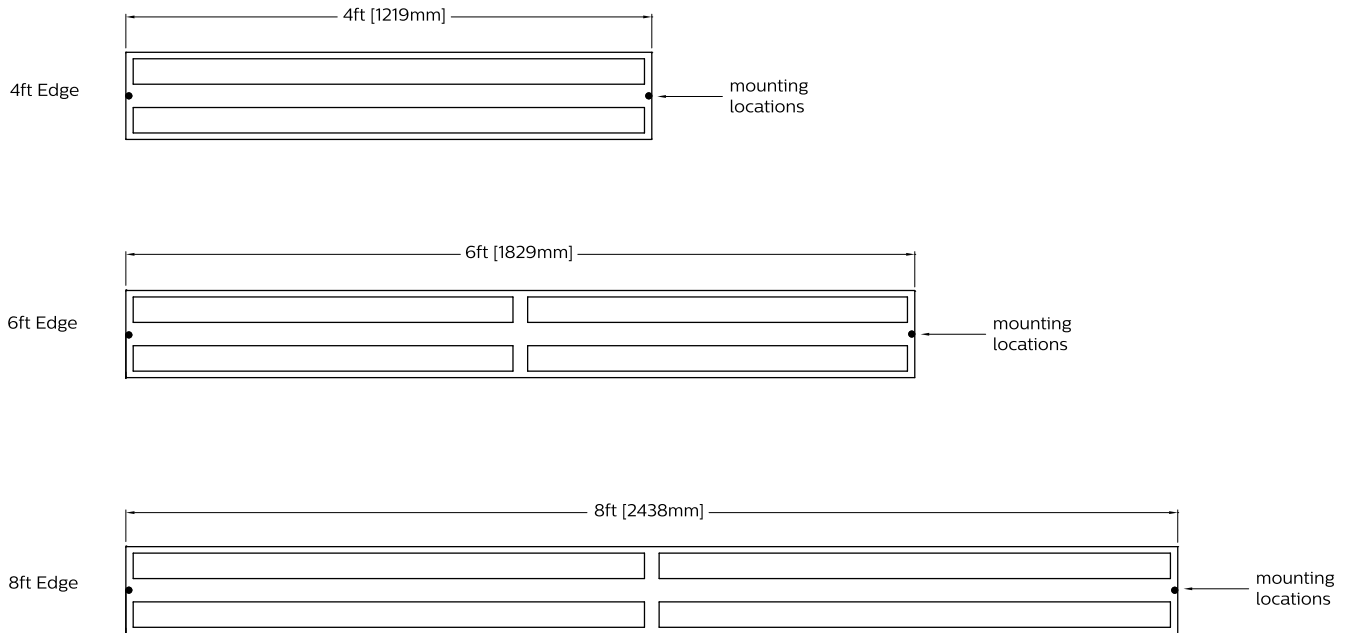
Cross Section



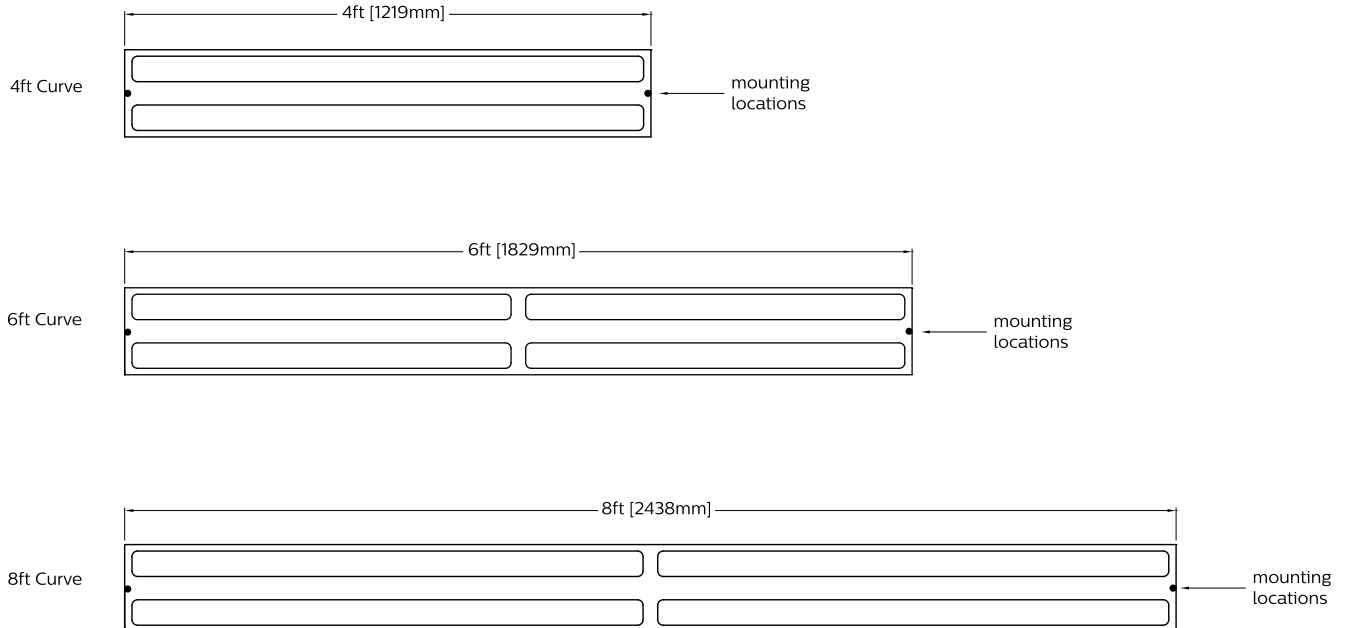
FloatPlane Suspended LED

CRI >80 3500K, 6000 lm/4ft

Modules - Edge



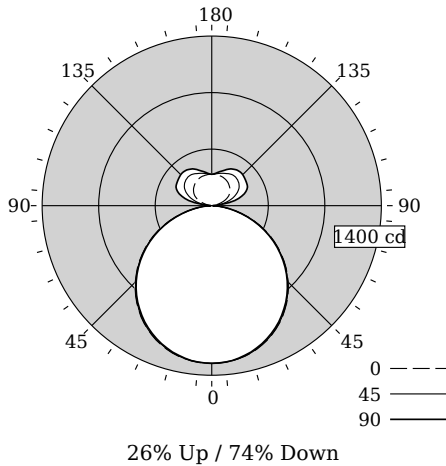
Modules - Curve



FloatPlane Suspended LED

CRI >80 3500K, 6000 lm/4ft

Photometry



Total Output	5104 lm
Efficacy	102.5 lm/W
CCT	3344K
CRI	82
R9	5
Distribution	26% Up / 74% Down
Spacing Criteria (0/90/180°)	1.28/1.26/NA

Photometry based on 4ft white luminaire. Black, Titanium and Custom color finishes may reduce delivered lumens. Custom color finishes may shift output color temperature.

Fixture photometry has been conducted by an NVLAP accredited testing laboratory in accordance with IESNA LM-79-08

IES files for this and other photometric options can be downloaded online at www.lightingproducts.philips.com

Candela Distribution

Vertical Angle	Horizontal Angle					Zonal Lumens
	0	22.5	45	67.5	90	
0	1302	1302	1302	1302	1302	0
5	1298	1296	1296	1296	1296	123
15	1259	1251	1257	1255	1251	354
25	1175	1168	1173	1170	1164	539
35	1051	1043	1049	1043	1039	654
45	893	887	889	883	882	684
55	703	701	697	693	691	623
65	490	487	485	481	479	478
75	259	259	257	255	253	272
85	58	60	64	64	64	74
90	0	4	6	8	8	0
95	16	23	37	35	33	41
105	64	74	138	202	230	147
115	134	154	222	294	321	220
125	181	210	276	329	346	241
135	210	241	302	342	362	226
145	234	255	307	344	360	188
155	247	263	292	321	333	135
165	255	261	276	288	294	78
175	259	259	261	265	265	25
180	259	259	259	259	259	0

Coefficients of Utilization (%)

RCR	Ceiling: Wall											
	70	50	80	30	10	70	50	30	50	30	10	0
0	113	113	113	113	107	107	107	97	97	97	74	74
1	103	98	94	90	98	94	90	85	82	79	62	62
2	94	86	79	73	89	82	76	74	69	65	52	52
3	85	75	67	61	81	72	64	65	59	54	43	43
4	78	66	58	51	74	63	56	58	51	46	37	37
5	71	59	50	44	68	56	49	51	45	40	32	32
6	66	53	44	38	62	51	43	46	40	35	28	28
7	61	48	39	34	58	46	38	42	35	31	24	24
8	57	44	35	30	54	42	34	38	32	27	22	22
9	53	40	32	27	50	38	31	35	29	24	20	20
10	49	37	29	24	47	35	28	32	26	22	18	18

Avg. Luminance (cd/m²)

Vertical Angle	Horizontal Angle		
	0	45	90
55	6022	5972	5922
65	5705	5637	5569
75	4917	4880	4806
85	3293	3623	3623

Philips Ledalite

Lighting facts
A Program of the U.S. DOE

Light Output (Lumens) **5104**

Watts **49.8**

Lumens per Watt (Efficacy) **102.49**

Color Accuracy
Color Rendering Index (CRI) **82**

Light Color
Correlated Color Temperature (CCT) **3344 (Bright White)**

2700K 3000K 4500K 6500K

All results are according to IESNA LM-79-2008: Approved Method for the Electrical and Photometric Testing of Solid-State Lighting. The U.S. Department of Energy (DOE) verifies product test data and results.

Visit www.lightingfacts.com for the Label Reference Guide.

Registration Number: F46Z-YWBMM6 (7/3/2015)
Model Number: 24x5LBBAG
Type: Luminaire - Linear

Electrical Specifications

Input Voltage	120V	277V
Input Power	49.8W	49.2W
Input Current	0.42A	0.18A
Power Factor	0.998	0.963
Total Harm. Distortion	6.5%	13.4%
Tested values – contact technical support for rated values. Off-state power zero unless certain controls are specified.		

© 2015 Koninklijke Philips N.V. All rights reserved. Philips reserves the right to make changes in specifications and/or to discontinue any product at any time without notice or obligation and will not be liable for any consequences resulting from the use of this publication. philips.com/luminaires
www.philips.com/luminaires



Philips Lighting, North America Corporation
200 Franklin Square Drive, Somerset, NJ 08873
Tel. 855-486-2216

Philips Lighting Canada Ltd.,
281 Hillmount Rd, Markham, ON, Canada L6C 2S3
Tel. 800-668-9008