



Linear

FloatPlane Suspended LED

CRI >80 3500K, 6000 lm/4ft



Project: _____
 Spec Type: _____
 Catalog No: 24x5LBBAA _____
 Qty _____
 Line Notes: _____

Interior spaces should resonate, evoke emotion and satisfy a purpose. With FloatPlane LED, it's easier than ever to integrate sleek and sporty style into your layout and within your budget. Fresh and playful with two profile options, Curve and Edge, FloatPlane's performance rivals that of high-end LED luminaires with the affordability of fluorescent.

Ordering guide

Product Type	Version	Source	Color Temp *	Lumens *	Lower Optics	Upper Optics	Run Length	Wiring †	Voltage	Driver	Finish
24		L	B	B	A	A					
24 FloatPlane	G5 Edge Suspended R5 Curve Suspended	L LED	A 4000K B 3500K C 3000K	B 6000 lm/4ft C 4500 lm/4ft E 3200 lm/4ft	A Acrylic diffuser	A Acrylic diffuser G 75% Down Kit J 100% Down Kit	04 4' 06 6' 08 8' XX Total run length (2' increments)	1 1 cct 3 1 cct w/ EM cct 5 1 cct w/ BP 7 1 cct w/ Dimming 8 1 cct w/ TW B 2 cct A/B N 1 cct w/ Dim & BP	1 120V 2 277V 3 347V	E Philips Advance Other drivers available - consult factory	W Standard White T Titanium Silver B Black C Custom

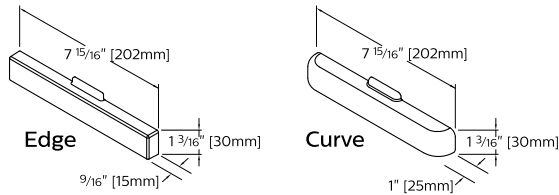
* Nominal values within a range. Consult ies file for exact color temp, lumens and up/down distribution † Consult website for complete list of standard wiring options

Mounting Hardware

Mount Type
Consult separate mounting spec sheet for mount type options

Suspension Length
Distance from ceiling to top of luminaire in inches

Endcaps - Edge/Curve



Integrated Controls Please indicate with check mark.

- Response Daylight Sensor Single Zone (DS)
- Philips Actilume Occupancy Sensor (DO) (includes field commissionable daylight sensor)



FloatPlane Suspended LED

CRI >80 3500K, 6000 lm/4ft

Housing

Precision formed 18 gauge cold-rolled steel. Approx. cross section size: 1.5”h x 8”w (suspended) or 5.7”w (wall mount).

Weight

Maximum: Suspended 3.5lb/ft, Wall 3.3lb/ft

Optical System

White light emitted from dual linear arrays of lateral-facing LEDs is diffused and redirected into the upper and lower hemispheres through a combination of high reflectivity components and acrylic diffusers. This delivers a high efficiency 70% up / 30% down indirect/direct distribution with a wide, homogeneous batwing distribution in the upper hemisphere. Twin polymer diffusers on the lower surface with a combined optical aperture of 5-1/2” deliver a uniform, controlled brightness to maximize visual comfort and luminaire efficacy. Factory or field installable variable optics kits are available to modify the distribution to 75% down or close to 100% down light.

Standard Driver

Philips Advance Xitanium. Output is Class 2 rated. Dimming: 0-10V, 5-100%.

Electrical

Pre-wired to module ends, quick-wire connectors included.

Mounting

Suspended: Rapid installation sling mount at joints and ends. High strength aircraft cable and stainless steel gripper provide unlimited vertical adjustment and are independently tested to meet stringent safety requirements.

Wall: A hidden steel rail and bracket system attaches to the existing structure and supports housings close to the wall. Mount positioning is fully variable along the modules to accommodate site conditions, but should be no more than 4-1/2ft on center and always within 12” of an end or joint.

Joints

Self-aligning, gasketed joining system. Access panels in the driver channel allow quick and hassle-free wiring of modules either before or after mechanical joints are completed.

Endcaps

Diecast aluminum endcaps in either Edge or Curve versions to match housing.

Finish

High quality powder coated, available in matte white, black or titanium silver. Other custom colors, including Pacific Aqua and Surf Yellow, available on request.

Approvals

Certified to UL, CSA and IES standards.

Lumen Maintenance

Lumen maintenance of the LEDs has been tested by the manufacturer in accordance with IESNA LM-80-08. At an ambient temperature of 25°C, the LED lumen maintenance expectation is:

Suspended:L₈₀ (12k) 70,000 hrs

Wall mount:L₈₀ (12k) 64,000 hrs

according to IES TM-21-11 Addendum A Reported methodology

Warranty

Philips indoor professional luminaires 5 year LED warranty:

<http://www.philips.com/warranties>

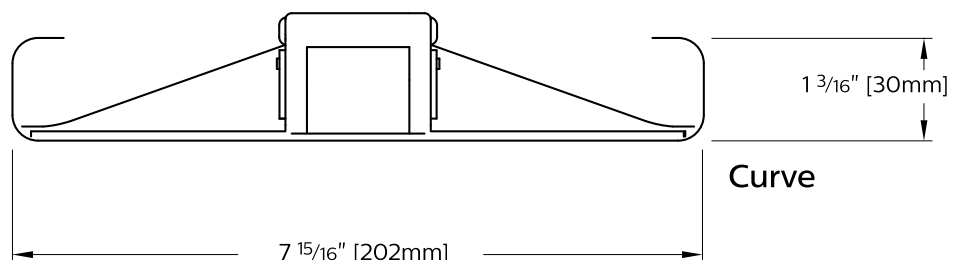
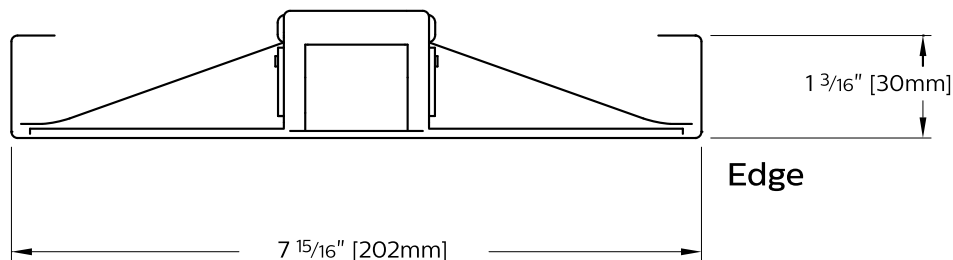
Environment

Rated for dry or damp locations in operating ambient temperatures 0-40°C (32-104°F). Certain luminaire components may be adversely affected by contaminants. Damage caused by sulfur, chlorine, petroleum based solutions or other contaminants in the area of operation are not covered under warranty. Not suitable for natatorium environments.

Due to continuing product improvements, Philips Ledalite reserves the right to change the specifications without notice.

Options and Details

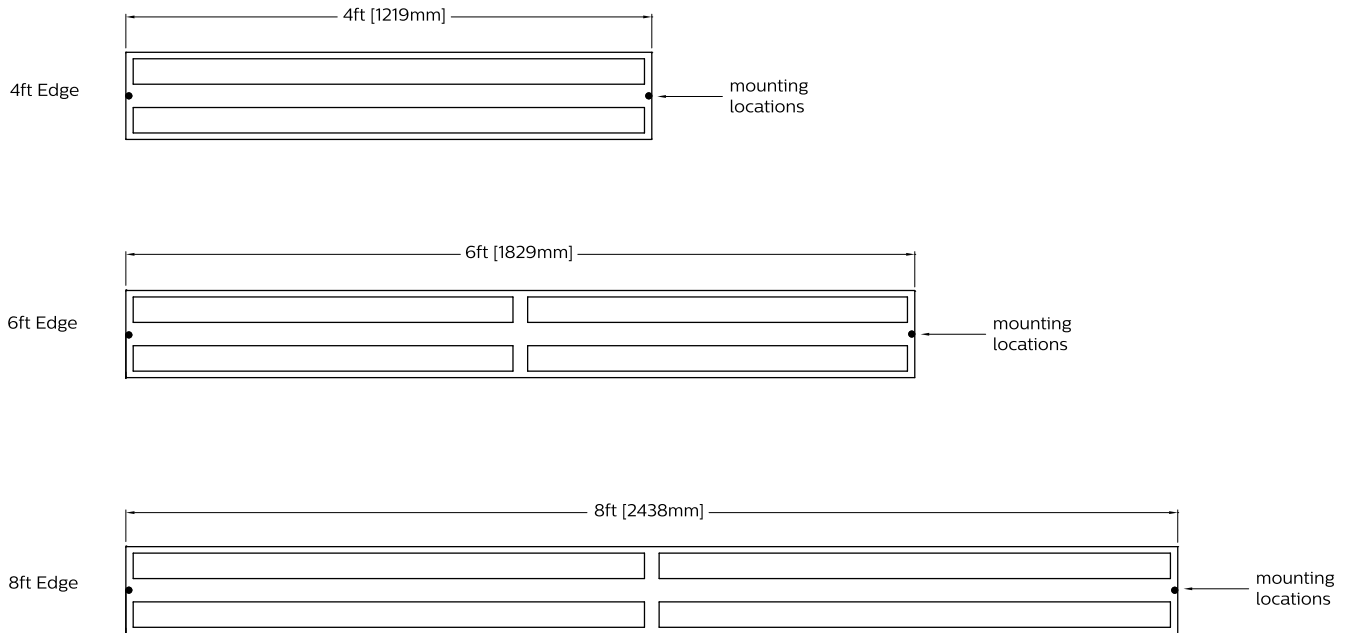
Cross Section



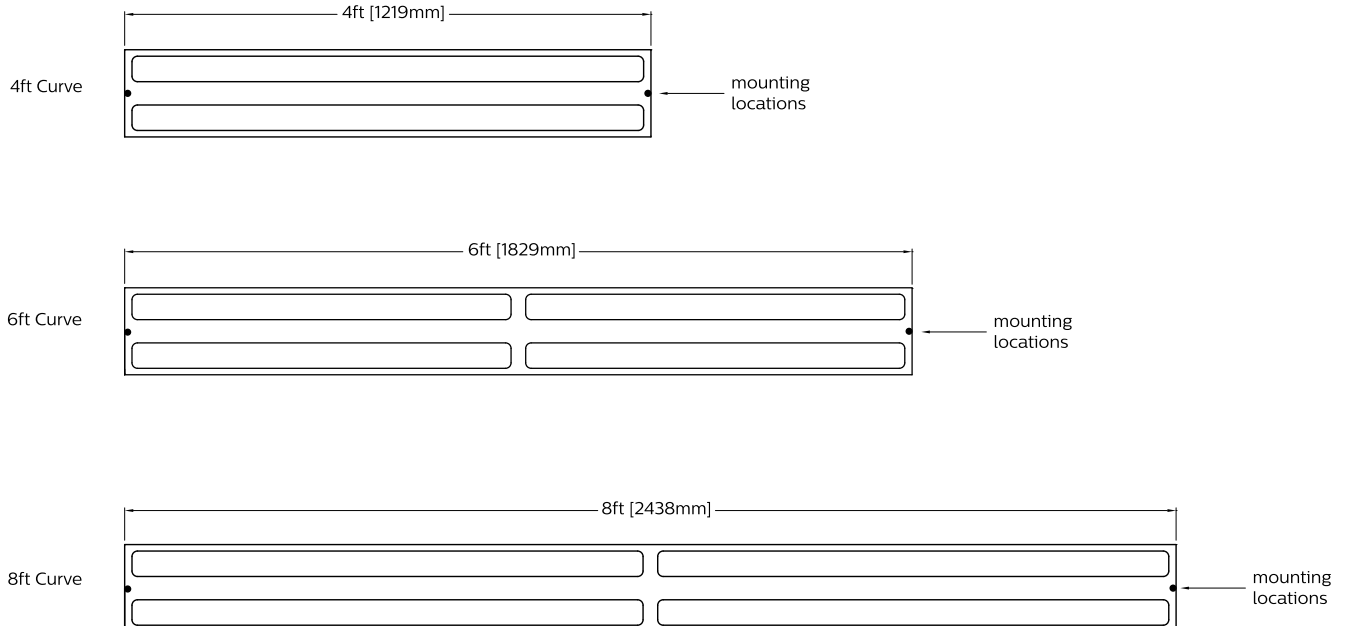
FloatPlane Suspended LED

CRI >80 3500K, 6000 lm/4ft

Modules - Edge



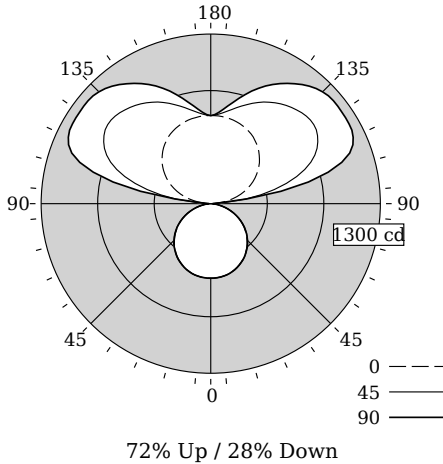
Modules - Curve



FloatPlane Suspended LED

CRI >80 3500K, 6000 lm/4ft

Photometry



Total Output	6029 lm
Efficacy	121.1 lm/W
CCT	3427K
CRI	82
R9	6
Distribution	72% Up / 28% Down
Peak/Zenith Ratio	1.82
Peak Output	1228 cd @ 128°
Meets RP-1-12 recommendations for VDT-Normal spaces	

Photometry based on 4ft white luminaire. Black, Titanium and Custom color finishes may reduce delivered lumens. Custom color finishes may shift output color temperature.

Fixture photometry has been conducted by an NVLAP accredited testing laboratory in accordance with IESNA LM-79-08

IES files for this and other photometric options can be downloaded online at www.lightingproducts.philips.com

Candela Distribution

Vertical Angle	Horizontal Angle				Zonal Lumens	
	0	22.5	45	67.5		
0	572	572	572	572	0	
5	570	570	570	570	54	
15	554	550	554	554	156	
25	518	516	520	522	239	
35	464	462	468	468	291	
45	393	395	397	399	306	
55	311	313	316	315	280	
65	217	219	219	217	215	
75	115	117	117	117	123	
85	27	29	31	31	36	
90	0	6	12	13	15	0
95	61	102	123	77	61	143
105	207	320	600	842	932	602
115	336	545	880	1122	1205	815
125	441	667	988	1168	1226	817
135	526	710	986	1157	1212	719
145	591	721	934	1074	1122	563
155	637	713	855	959	995	387
165	664	694	761	815	836	215
175	675	679	689	696	702	67
180	675	675	675	675	675	0

Coefficients of Utilization (%)

RCR	Ceiling: Wall											
	80				70				50			
	70	50	30	10	70	50	30	10	50	30	10	0
0	102	102	102	102	91	91	91	71	71	71	28	28
1	93	89	85	81	83	79	76	62	60	58	23	23
2	84	77	71	66	75	69	64	54	51	48	19	19
3	77	68	60	55	68	61	55	48	43	40	16	16
4	70	60	52	46	62	54	47	42	37	34	14	14
5	64	53	45	39	57	48	41	38	33	29	12	12
6	59	47	39	34	52	43	36	34	29	25	10	10
7	54	42	35	29	48	38	32	30	25	22	9	9
8	50	38	31	26	45	35	28	28	23	19	8	8
9	47	35	28	23	42	31	25	25	20	17	7	7
10	43	32	25	20	39	29	23	23	18	15	7	7

Avg. Luminance (cd/m²)

Vertical Angle	Horizontal Angle		
	0	45	90
55	2663	2713	2696
65	2521	2544	2521
75	2186	2223	2186
85	1515	1731	1731

Philips Ledalite

lighting facts®

A Program of the U.S. DOE

Light Output (Lumens) **6029**

Watts **49.8**

Lumens per Watt (Efficacy) **121.06**

Color Accuracy **82**

Color Rendering Index (CRI)

Light Color **3427 (Bright White)**

Correlated Color Temperature (CCT)

All results are according to IESNA LM-79-2008: Approved Method for the Electrical and Photometric Testing of Solid-State Lighting. The U.S. Department of Energy (DOE) verifies product test data and results.

Visit www.lightingfacts.com for the Label Reference Guide.

Registration Number: F46Z-7R1RR4 (7/3/2015)
Model Number: 24x5LBBAA
Type: Luminaire - Linear

Electrical Specifications

Input Voltage	120V	277V
Input Power	49.8W	49.2W
Input Current	0.42A	0.18A
Power Factor	0.998	0.963
Total Harm. Distortion	6.5%	13.4%
Tested values – contact technical support for rated values. Off-state power zero unless certain controls are specified.		

