



Linear

FloatPlane Suspended LED

CRI >80 3500K, 4500 lm/4ft



Project: _____
 Spec Type: _____
 Catalog No: 24x5LBCAG _____
 Qty _____
 Line Notes: _____

Interior spaces should resonate, evoke emotion and satisfy a purpose. With FloatPlane LED, it's easier than ever to integrate sleek and sporty style into your layout and within your budget. Fresh and playful with two profile options, Curve and Edge, FloatPlane's performance rivals that of high-end LED luminaires with the affordability of fluorescent.

Ordering guide

Product Type	Version	Source	Color Temp *	Lumens *	Lower Optics	Upper Optics	Run Length	Wiring †	Voltage	Driver	Finish
<input type="text" value="24"/>	<input type="text"/>	<input type="text" value="L"/>	<input type="text" value="B"/>	<input type="text" value="C"/>	<input type="text" value="A"/>	<input type="text" value="G"/>	<input type="text"/>	<input type="text"/>	<input type="text"/>	<input type="text"/>	<input type="text"/>
24 FloatPlane	G5 Edge Suspended R5 Curve Suspended	L LED	A 4000K B 3500K C 3000K	B 6000 lm/4ft C 4500 lm/4ft E 3200 lm/4ft	A Acrylic diffuser	A Acrylic diffuser G 75% Down Kit J 100% Down Kit	04 4' 06 6' 08 8' XX Total run length (2' increments)	1 1 cct 3 1 cct w/ EM cct 5 1 cct w/ BP 7 1 cct w/ Dimming 8 1 cct w/ TW B 2 cct A/B N 1 cct w/ Dim & BP	1 120V 2 277V 3 347V	E Philips Advance Other drivers available - consult factory	W Standard White T Titanium Silver B Black C Custom

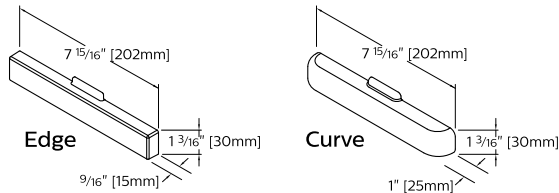
* Nominal values within a range. Consult ies file for exact color temp, lumens and up/down distribution † Consult website for complete list of standard wiring options

Mounting Hardware

Mount Type
Consult separate mounting spec sheet for mount type options

Suspension Length
Distance from ceiling to top of luminaire in inches

Endcaps -



Integrated Controls Please indicate with check mark.

- Response Daylight Sensor Single Zone (DS)
- Philips Actilume Occupancy Sensor (DO) (includes field commissionable daylight sensor)



FloatPlane Suspended LED

CRI >80 3500K, 4500 lm/4ft

Housing

Precision formed 18 gauge cold-rolled steel. Approx. cross section size: 1.5”h x 8”w (suspended) or 5.7”w (wall mount).

Weight

Maximum: Suspended 3.5lb/ft, Wall 3.3lb/ft

Optical System

White light emitted from dual linear arrays of lateral-facing LEDs is diffused and redirected into the upper and lower hemispheres through a combination of high reflectivity components and acrylic diffusers. This delivers a high efficiency 70% up / 30% down indirect/direct distribution with a wide, homogeneous batwing distribution in the upper hemisphere. Twin polymer diffusers on the lower surface with a combined optical aperture of 5-1/2” deliver a uniform, controlled brightness to maximize visual comfort and luminaire efficacy. Factory or field installable variable optics kits are available to modify the distribution to 75% down or close to 100% down light.

Standard Driver

Philips Advance Xitanium. Output is Class 2 rated. Dimming: 0-10V, 5-100%.

Electrical

Pre-wired to module ends, quick-wire connectors included.

Mounting

Suspended: Rapid installation sling mount at joints and ends. High strength aircraft cable and stainless steel gripper provide unlimited vertical adjustment and are independently tested to meet stringent safety requirements.

Wall: A hidden steel rail and bracket system attaches to the existing structure and supports housings close to the wall. Mount positioning is fully variable along the modules to accommodate site conditions, but should be no more than 4-1/2ft on center and always within 12” of an end or joint.

Joints

Self-aligning, gasketed joining system. Access panels in the driver channel allow quick and hassle-free wiring of modules either before or after mechanical joints are completed.

Endcaps

Diecast aluminum endcaps in either Edge or Curve versions to match housing.

Finish

High quality powder coated, available in matte white, black or titanium silver. Other custom colors, including Pacific Aqua and Surf Yellow, available on request.

Approvals

Certified to UL, CSA and IES standards.

Lumen Maintenance

Lumen maintenance of the LEDs has been tested by the manufacturer in accordance with IESNA LM-80-08. At an ambient temperature of 25°C, the LED lumen maintenance expectation is:

Suspended:L₈₀ (12k) 70,000 hrs

Wall mount:L₈₀ (12k) 64,000 hrs

according to IES TM-21-11 Addendum A Reported methodology

Warranty

Philips indoor professional luminaires 5 year LED warranty:

<http://www.philips.com/warranties>

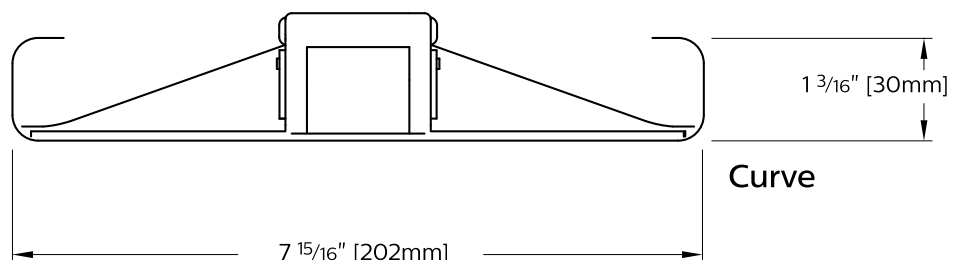
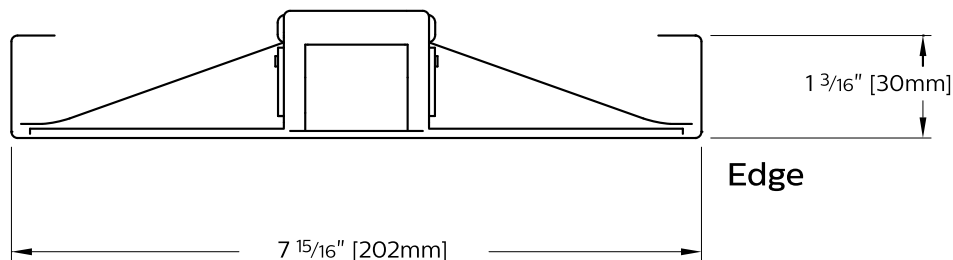
Environment

Rated for dry or damp locations in operating ambient temperatures 0-40°C (32-104°F). Certain luminaire components may be adversely affected by contaminants. Damage caused by sulfur, chlorine, petroleum based solutions or other contaminants in the area of operation are not covered under warranty. Not suitable for natatorium environments.

Due to continuing product improvements, Philips Ledalite reserves the right to change the specifications without notice.

Options and Details

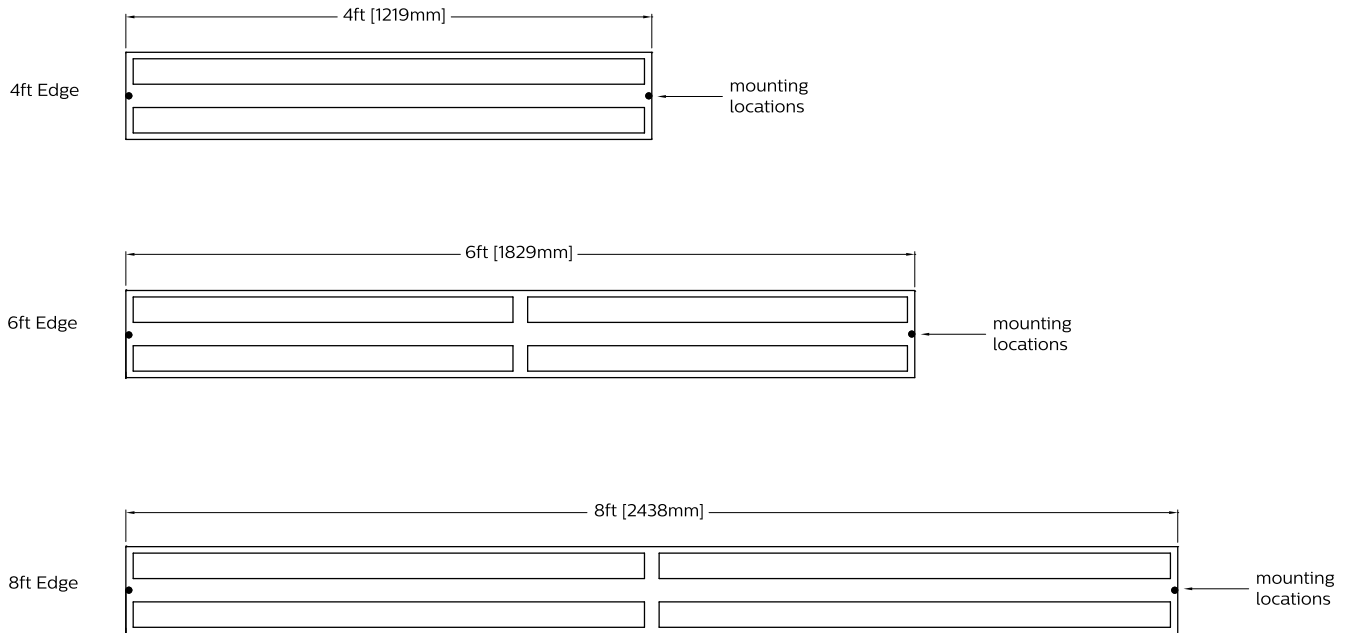
Cross Section



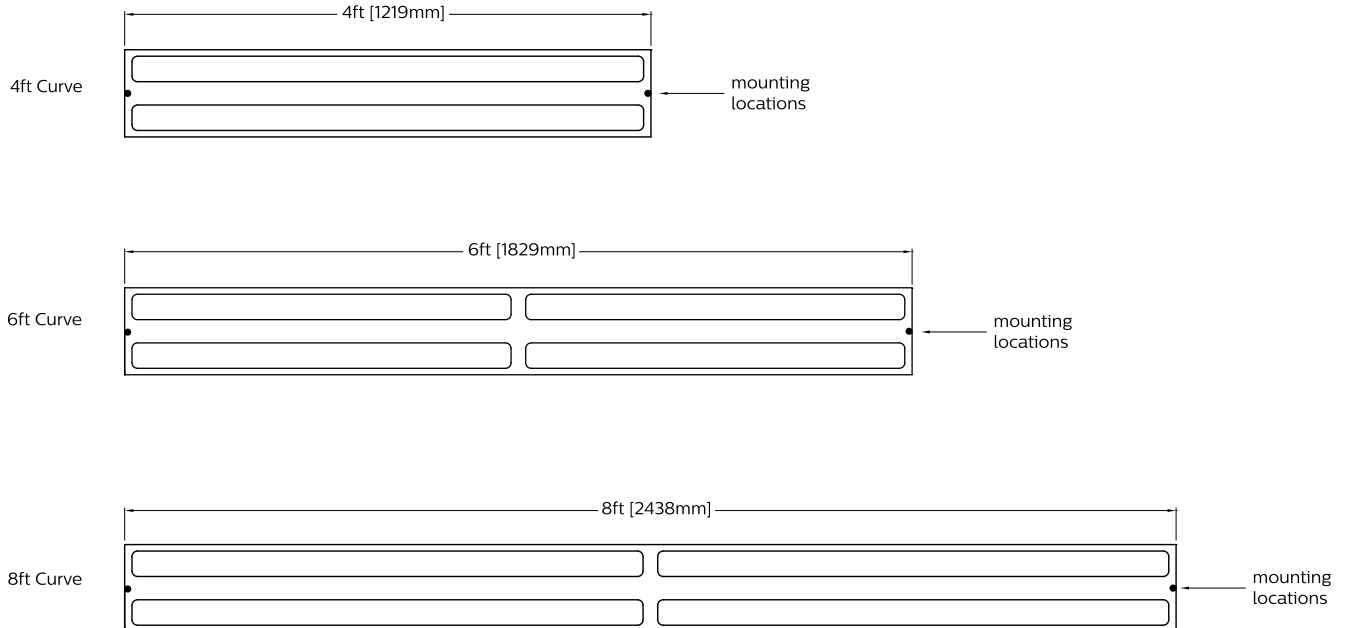
FloatPlane Suspended LED

CRI >80 3500K, 4500 lm/4ft

Modules - Edge



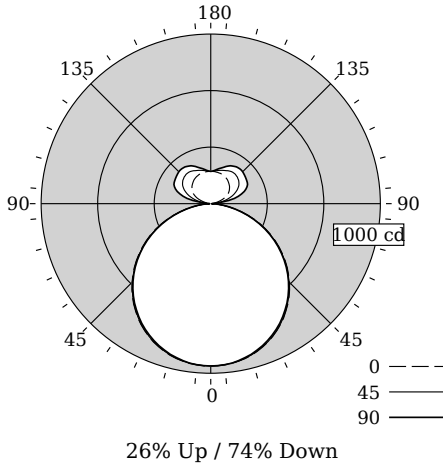
Modules - Curve



FloatPlane Suspended LED

CRI >80 3500K, 4500 lm/4ft

Photometry



Total Output	3753 lm
Efficacy	105.4 lm/W
CCT	3344K
CRI	82
R9	5
Distribution	26% Up / 74% Down
Spacing Criteria (0/90/180°)	1.28/1.26/NA

Photometry based on 4ft white luminaire. Black, Titanium and Custom color finishes may reduce delivered lumens. Custom color finishes may shift output color temperature.

Fixture photometry has been conducted by an NVLAP accredited testing laboratory in accordance with IESNA LM-79-08

IES files for this and other photometric options can be downloaded online at www.lightingproducts.philips.com

Candela Distribution

Vertical Angle	Horizontal Angle				Zonal Lumens	
	0	22.5	45	67.5		
0	957	957	957	957	0	
5	954	953	953	953	91	
15	926	920	924	923	260	
25	864	859	863	860	397	
35	773	767	771	767	481	
45	657	653	654	650	503	
55	517	515	512	509	458	
65	361	358	356	353	352	
75	190	190	189	187	200	
85	43	44	47	47	54	
90	0	3	4	6	6	0
95	11	17	27	26	24	30
105	47	54	102	149	169	108
115	99	113	163	216	236	162
125	133	155	203	242	255	177
135	155	177	222	252	266	166
145	172	187	226	253	265	139
155	182	193	215	236	245	99
165	187	192	203	212	216	58
175	190	190	192	195	195	19
180	190	190	190	190	190	0

Coefficients of Utilization (%)

RCR	Ceiling		80				70				50				30				0										
	70	50	30	10	70	50	30	10	70	50	30	10	70	50	30	10	70	50	30	10	70	50	30	10	70	50	30	10	70
0	113	113	113	113	107	107	107	97	97	97	97	97	97	97	97	97	97	97	97	97	97	97	97	97	97	97	97	97	97
1	103	98	94	90	98	94	90	85	82	79	74	69	65	62	59	56	53	50	47	44	41	38	35	32	29	26	23	20	
2	94	86	79	73	89	82	76	74	69	65	62	59	56	53	50	47	44	41	38	35	32	29	26	23	20	17	14	11	8
3	85	75	67	61	81	72	64	65	59	54	43	37	32	27	22	17	12	7	2	0	0	0	0	0	0	0	0	0	0
4	78	66	58	51	74	63	56	58	51	46	37	32	27	22	17	12	7	2	0	0	0	0	0	0	0	0	0	0	0
5	71	59	50	44	68	56	49	51	45	40	32	27	22	17	12	7	2	0	0	0	0	0	0	0	0	0	0	0	0
6	66	53	44	38	62	51	43	46	40	35	28	23	17	12	7	2	0	0	0	0	0	0	0	0	0	0	0	0	0
7	61	48	39	34	58	46	38	42	35	31	24	19	14	9	4	0	0	0	0	0	0	0	0	0	0	0	0	0	0
8	57	44	35	30	54	42	34	38	32	27	22	17	12	7	2	0	0	0	0	0	0	0	0	0	0	0	0	0	0
9	53	40	32	27	50	38	31	35	29	24	20	15	10	5	0	0	0	0	0	0	0	0	0	0	0	0	0	0	0
10	49	37	29	24	47	35	28	32	26	22	18	13	8	3	0	0	0	0	0	0	0	0	0	0	0	0	0	0	0

Avg. Luminance (cd/m²)

Vertical Angle	Horizontal Angle		
	0	45	90
55	4428	4391	4355
65	4195	4145	4095
75	3615	3588	3534
85	2422	2664	2664

Philips Ledalite

Light Output (Lumens) **3753**

Watts **35.6**

Lumens per Watt (Efficacy) **105.4**

Color Accuracy **82**

Color Rendering Index (CRI)

Light Color **3344 (Bright White)**

Correlated Color Temperature (CCT)

2700K 3000K 4500K 6500K

All results are according to IESNA LM-79-2008: Approved Method for the Electrical and Photometric Testing of Solid-State Lighting. The U.S. Department of Energy (DOE) verifies product test data and results.

Visit www.lightingfacts.com for the Label Reference Guide.

Registration Number: F46Z-EB16M2 (7/3/2015)
Model Number: 24x5LBCAG
Type: Luminaire - Linear

Electrical Specifications

Input Voltage	120V	277V
Input Power	35.6W	34.9W
Input Current	0.3A	0.13A
Power Factor	0.99	0.98
Total Harm. Distortion	6%	12.9%
Tested values – contact technical support for rated values. Off-state power zero unless certain controls are specified.		

