

# Linear

## FloatPlane Suspended LED

CRI >80 3500K, 4500 lm/4ft



Project: \_\_\_\_\_  
 Spec Type: \_\_\_\_\_  
 Catalog No: 24x5LBAAA  
 Qty: \_\_\_\_\_  
 Line Notes: \_\_\_\_\_

Interior spaces should resonate, evoke emotion and satisfy a purpose. With FloatPlane LED, it's easier than ever to integrate sleek and sporty style into your layout and within your budget. Fresh and playful with two profile options, Curve and Edge, FloatPlane's performance rivals that of high-end LED luminaires with the affordability of fluorescent.

### Ordering guide

Product Type	Version	Source	Color Temp *	Lumens *	Lower Optics	Upper Optics	Run Length	Wiring †	Voltage	Driver	Finish
24		L	B	C	A	A					
24 FloatPlane	G5 Edge Suspended R5 Curve Suspended	L LED	A 4000K B 3500K C 3000K	B 6000 lm/4ft C 4500 lm/4ft E 3200 lm/4ft	A Acrylic diffuser	A Acrylic diffuser G 75% Down Kit J 100% Down Kit	04 4' 06 6' 08 8' XX Total run length (2' increments)	1 1 cct 3 1 cct w/ EM cct 5 1 cct w/ BP 7 1 cct w/ Dimming 8 1 cct w/ TW B 2 cct A/B N 1 cct w/ Dim & BP	1 120V 2 277V 3 347V	E Philips Advance  Other drivers available - consult factory	W Standard White T Titanium Silver B Black C Custom

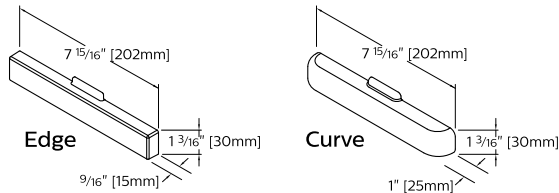
\* Nominal values within a range. Consult ies file for exact color temp, lumens and up/down distribution † Consult website for complete list of standard wiring options

### Mounting Hardware

**Mount Type**  
Consult separate mounting spec sheet for mount type options

**Suspension Length**  
Distance from ceiling to top of luminaire in inches

Endcaps -  Edge/Curve



**Integrated Controls** Please indicate with check mark.

- Response Daylight Sensor Single Zone (DS)
- Philips Actilume Occupancy Sensor (DO) (includes field commissionable daylight sensor)

# FloatPlane Suspended LED

CRI >80 3500K, 4500 lm/4ft

## Housing

Precision formed 18 gauge cold-rolled steel. Approx. cross section size: 1.5" h x 8" w (suspended) or 5.7" w (wall mount).

## Weight

Maximum: Suspended 3.5lb/ft, Wall 3.3lb/ft

## Optical System

White light emitted from dual linear arrays of lateral-facing LEDs is diffused and redirected into the upper and lower hemispheres through a combination of high reflectivity components and acrylic diffusers. This delivers a high efficiency 70% up / 30% down indirect/direct distribution with a wide, homogeneous batwing distribution in the upper hemisphere. Twin polymer diffusers on the lower surface with a combined optical aperture of 5-1/2" deliver a uniform, controlled brightness to maximize visual comfort and luminaire efficacy. Factory or field installable variable optics kits are available to modify the distribution to 75% down or close to 100% down light.

## Standard Driver

Philips Advance Xitanium. Output is Class 2 rated. Dimming: 0-10V, 5-100%.

## Electrical

Pre-wired to module ends, quick-wire connectors included.

## Mounting

**Suspended:** Rapid installation sling mount at joints and ends. High strength aircraft cable and stainless steel gripper provide unlimited vertical adjustment and are independently tested to meet stringent safety requirements.

**Wall:** A hidden steel rail and bracket system attaches to the existing structure and supports housings close to the wall. Mount positioning is fully variable along the modules to accommodate site conditions, but should be no more than 4-1/2" ft on center and always within 12" of an end or joint.

## Joints

Self-aligning, gasketed joining system. Access panels in the driver channel allow quick and hassle-free wiring of modules either before or after mechanical joints are completed.

## Endcaps

Diecast aluminum endcaps in either Edge or Curve versions to match housing.

## Finish

High quality powder coated, available in matte white, black or titanium silver. Other custom colors, including Pacific Aqua and Surf Yellow, available on request.

## Approvals

Certified to UL, CSA and IES standards.

## Lumen Maintenance

Lumen maintenance of the LEDs has been tested by the manufacturer in accordance with IESNA LM-80-08. At an ambient temperature of 25°C, the LED lumen maintenance expectation is:

**Suspended:** L<sub>80</sub> (12k) 70,000 hrs

**Wall mount:** L<sub>80</sub> (12k) 64,000 hrs

according to IES TM-21-11 Addendum A Reported methodology

## Warranty

Philips indoor professional luminaires 5 year LED warranty:

<http://www.philips.com/warranties>

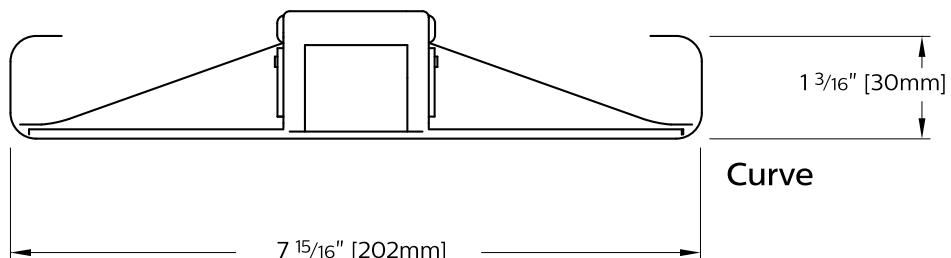
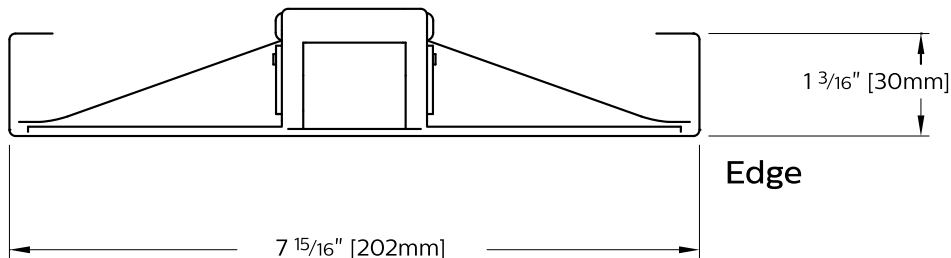
## Environment

Rated for dry or damp locations in operating ambient temperatures 0-40°C (32-104°F). Certain luminaire components may be adversely affected by contaminants. Damage caused by sulfur, chlorine, petroleum based solutions or other contaminants in the area of operation are not covered under warranty. Not suitable for natatorium environments.

Due to continuing product improvements, Philips Ledalite reserves the right to change the specifications without notice.

## Options and Details

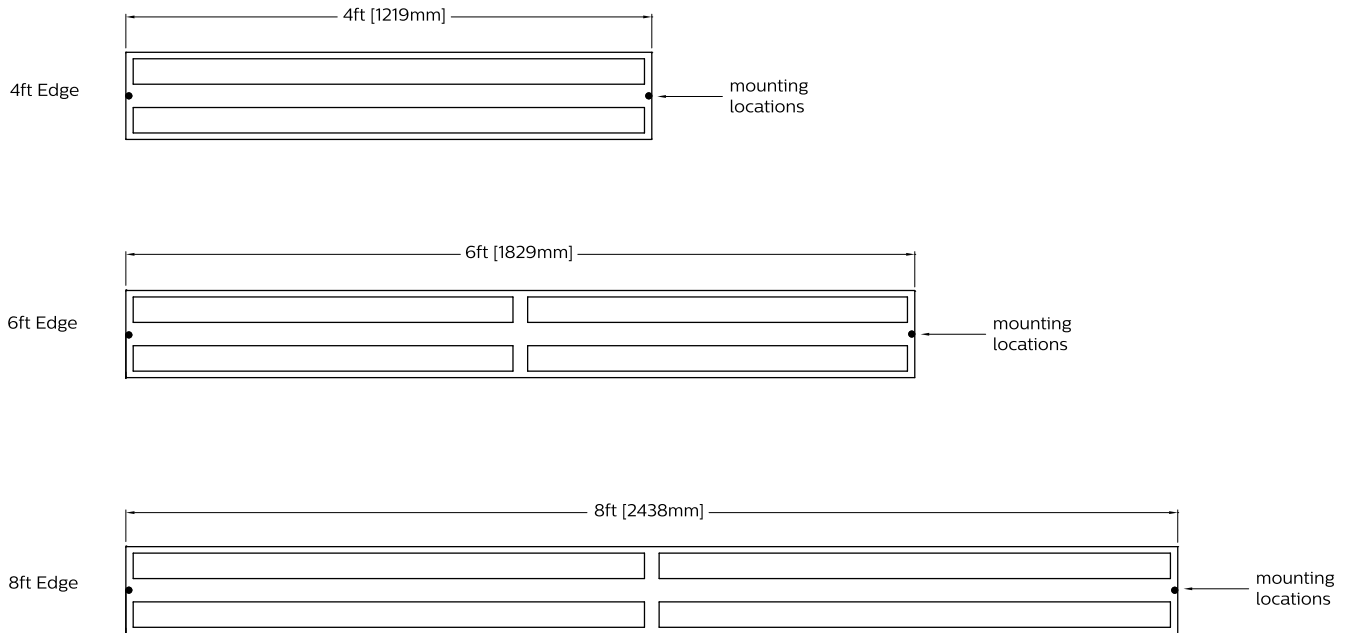
### Cross Section



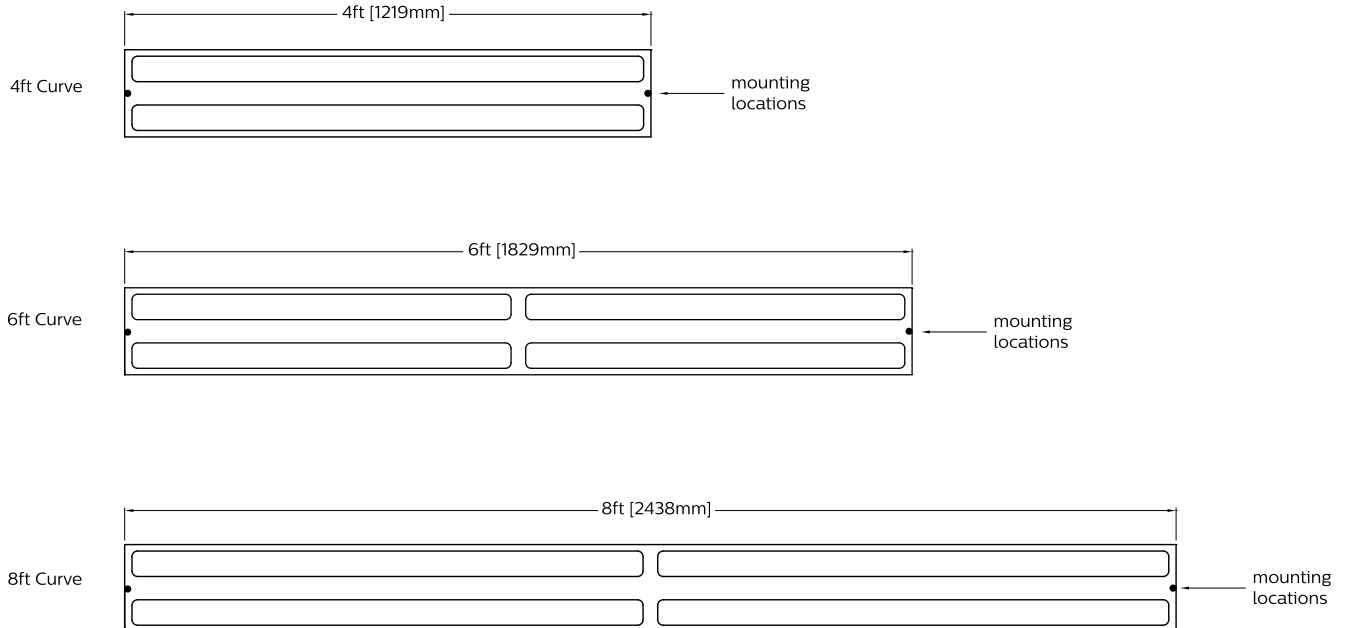
# FloatPlane Suspended LED

CRI >80 3500K, 4500 lm/4ft

## Modules - Edge



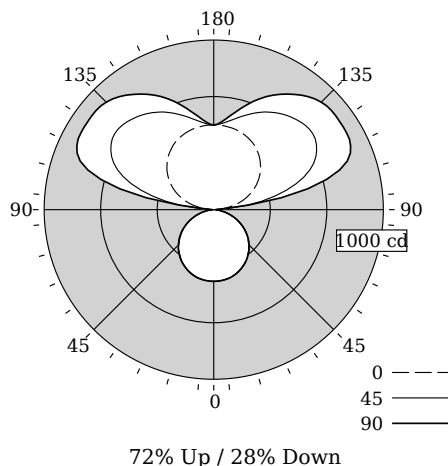
## Modules - Curve



# FloatPlane Suspended LED

CRI >80 3500K, 4500 lm/4ft

## Photometry



Total Output	4458 lm
Efficacy	125.2 lm/W
CCT	3427K
CRI	82
R9	6
Distribution	72% Up / 28% Down
Peak/Zenith Ratio	1.82
Peak Output	908 cd @ 128°
Meets RP-1-12 recommendations for VDT-Critical spaces	

Photometry based on 4ft white luminaire. Black, Titanium and Custom color finishes may reduce delivered lumens. Custom color finishes may shift output color temperature.

Fixture photometry has been conducted by an NVLAP accredited testing laboratory in accordance with IESNA LM-79-08

IES files for this and other photometric options can be downloaded online at [www.lightingproducts.philips.com](http://www.lightingproducts.philips.com)

## Candela Distribution

Vertical Angle	Horizontal Angle				Zonal Lumens	
	0	22.5	45	67.5		
0	423	423	423	423	0	
5	421	421	421	421	40	
15	410	407	410	410	115	
25	383	381	384	386	177	
35	343	342	346	346	215	
45	291	292	294	295	226	
55	230	231	234	233	207	
65	160	162	162	160	159	
75	85	86	86	85	91	
85	20	21	23	23	26	
90	0	4	9	10	11	0
95	45	75	91	57	45	106
105	153	237	444	623	689	445
115	248	403	651	830	891	602
125	326	493	730	864	906	604
135	389	525	729	855	896	531
145	437	533	691	794	830	416
155	471	527	632	709	736	286
165	491	513	563	603	618	159
175	499	502	509	515	519	49
180	499	499	499	499	499	0

## Coefficients of Utilization (%)

RCR	Ceiling Wall															
	80				70				50				0			
	70	50	30	10	70	50	30	10	70	50	30	10	70	50	30	10
0	102	102	102	102	91	91	91	71	71	71	28	28	28	28	28	28
1	93	89	85	81	83	79	76	62	60	58	23	23	23	23	23	23
2	84	77	71	66	75	69	64	54	51	48	19	19	19	19	19	19
3	77	68	60	55	68	61	55	48	43	40	16	16	16	16	16	16
4	70	60	52	46	62	54	47	42	37	34	14	14	14	14	14	14
5	64	53	45	39	57	48	41	38	33	29	12	12	12	12	12	12
6	59	47	39	34	52	43	36	34	29	25	10	10	10	10	10	10
7	54	42	35	29	48	38	32	30	25	22	9	9	9	9	9	9
8	50	38	31	26	45	35	28	28	23	19	8	8	8	8	8	8
9	47	35	28	23	42	31	25	25	20	17	7	7	7	7	7	7
10	43	32	25	20	39	29	23	23	18	15	7	7	7	7	7	7

## Avg. Luminance (cd/m<sup>2</sup>)

Vertical Angle	Horizontal Angle		
	0	45	90
55	1969	2006	1993
65	1864	1881	1864
75	1616	1643	1616
85	1120	1280	1280

Philips Ledalite

**Light Output (Lumens)** **4458**

**Watts** **35.6**

**Lumens per Watt (Efficacy)** **125.22**

---

**Color Accuracy** **82**

Color Rendering Index (CRI)

---

**Light Color** **3427 (Bright White)**

Correlated Color Temperature (CCT)

2700K   3000K   4500K   6500K

All results are according to IESNA LM-79-2008: Approved Method for the Electrical and Photometric Testing of Solid-State Lighting. The U.S. Department of Energy (DOE) verifies product test data and results.

Visit [www.lightingfacts.com](http://www.lightingfacts.com) for the Label Reference Guide.

Registration Number: F46Z-HDCELJ (7/3/2015)  
Model Number: 24x5LBCAA  
Type: Luminaire - Linear

## Electrical Specifications

<b>Input Voltage</b>	<b>120V</b>	<b>277V</b>
<b>Input Power</b>	<b>35.6W</b>	<b>34.9W</b>
<b>Input Current</b>	<b>0.3A</b>	<b>0.13A</b>
<b>Power Factor</b>	<b>0.99</b>	<b>0.98</b>
<b>Total Harm. Distortion</b>	<b>6%</b>	<b>12.9%</b>
Tested values – contact technical support for rated values. Off-state power zero unless certain controls are specified.		

© 2015 Koninklijke Philips N.V. All rights reserved. Philips reserves the right to make changes in specifications and/or to discontinue any product at any time without notice or obligation and will not be liable for any consequences resulting from the use of this publication. [philips.com/luminaires](http://philips.com/luminaires)  
[www.philips.com/luminaires](http://www.philips.com/luminaires)



Philips Lighting, North America Corporation  
200 Franklin Square Drive, Somerset, NJ 08873  
Tel. 855-486-2216

Philips Lighting Canada Ltd.,  
281 Hillmount Rd, Markham, ON, Canada L6C 2S3  
Tel. 800-668-9008