



Linear

FloatPlane Suspended

3200 lm/4ft w/ 75% Down Kit*
3000/3500/4000K



Project: _____
 Spec Type: _____
 Catalog No: 24x5LxEAG _____
 Qty _____
 Line Notes: _____

With FloatPlane LED, it's easier than ever to integrate sleek and sporty style into your layout and within budget. Fresh and playful, with Curve and Edge profile options, FloatPlane's performance rivals that of high-end LED luminaires with the affordability of fluorescent. Available tunable white technology gives you the ability to vary color temperature and intensity, harmonizing lighting with your daily life.

Ordering guide

Product Type	Version	Source	Color Temp *	Lumens *	Lower Optics	Upper Optics	Run Length	Wiring †	Voltage	Driver	Finish
<input type="text" value="24"/>	<input type="text"/>	<input type="text" value="L"/>	<input type="text"/>	<input type="text" value="E"/>	<input type="text" value="A"/>	<input type="text" value="G"/>	<input type="text"/>	<input type="text"/>	<input type="text"/>	<input type="text"/>	<input type="text"/>
24 FloatPlane	G5 Edge Suspended R5 Curve Suspended	L LED	A 4000K B 3500K C 3000K	B 6000 lm/4ft C 4500 lm/4ft E 3200 lm/4ft	A Acrylic diffuser	A Acrylic diffuser G 75% Down Kit J 100% Down Kit	04 4' 06 6' 08 8' Total run length (2' increments)	7 1 cct Dimming E 2 cct A/B Dimming M 1 cct Dimming + EM Wiring N 1 cct Dimming + EM Batt. Pack	1 120V 2 277V 3 347V	E Philips Advance 0-10V (1% dim) S Philips Advance SR (5% dim)	W Standard White T Titanium Silver B Black C Custom

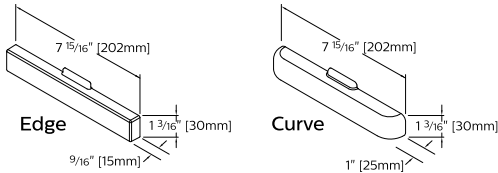
* Nominal values within a range. Down kits and dust covers reduce output & efficacy. Consult photometry data for color temp, lumens & distribution of chosen configuration.
 † Not all wiring types are available with all configurations. Consult Philips Ledalite for a complete list of available options.

Mounting Hardware

Mount Type
Consult separate mounting spec sheet for mount type options

Suspension Length
Distance from ceiling to top of luminaire in inches

Endcaps -



Options & Integrated Controls Please indicate with check mark.

- Dust Cover
- Response Daylight Single Zone (DS)
- SpaceWise DT Occupancy & Daylight Sensor (SZ)



FloatPlane Suspended

3200 lm/4ft w/ 75% Down Kit*

3000/3500/4000K

Optical System

White light emitted from dual linear arrays of lateral-facing LEDs is diffused and redirected into the upper and lower hemispheres with a combination of high reflectivity elements and acrylic diffusers. This delivers a highly efficient 70% up / 30% down indirect/direct distribution with a wide, homogeneous batwing distribution in the upper hemisphere. Twin polymer diffusers on the lower surface combine for an optical aperture of 5-1/2" to deliver a uniform, controlled brightness, maximizing visual comfort and luminaire efficacy. Factory or field installable variable optics kits are available to modify the distribution to 75% down or close to 100% down light. Field installable dust covers available on suspended versions.

Endcaps

Diecast aluminum endcaps in either Edge or Curve versions to match housing.

Finish

High quality powder coated, available in matte white, black or titanium silver. Other custom colors, including Pacific Aqua and Surf Yellow, available on request. White sensors only.

Housing

Precision formed 18 gauge cold-rolled steel. Approx. cross section size: 1.5" h x 8" w (suspended) or 5.7" w (wall mount).

Weight

Maximum: Suspended 3.5lb/ft, Wall 3.3lb/ft

Electrical

Factory pre-wired to section ends with quick-wire connectors.

Standard Drivers

Philips Advance Xitanium 0-10V, 1-100%.
Philips Advance Xitanium SR, 5-100% (for SpaceWise DT).

Class 2 rated output. Consult Philips Ledalite for other available drivers.

Standard Battery Pack

Philips Bodine, 90 min, 10W. Class 2 rated output.
Emergency lumen output = 10W x luminaire efficacy x 1.1.
Typical output 1400lm.

Lumen Maintenance

LEDs have been tested by the manufacturer in accordance with IESNA LM-80-08. At an ambient temperature of 25°C, the LED lumen maintenance expectation according to IES TM-21-11 is:

L80 (12k) 70,000 hrs suspended / 64,000 hrs wall.
(Reported methodology)

L70 (12k) 108,000 hrs suspended / 98,000 hrs wall.
(Projected methodology)

Source Color

LEDs rated for color rendering CRI >80, R9 >0 and fixture to fixture color accuracy within 2 SDCM.

Controls

Suspended version available with the following integrated controls:

Response daylight sensor (for single zone).

SpaceWise DT occupancy & daylight sensor w/ advanced grouping & dwell time.

SpaceWise DT commissioning via Android phone and Philips Field App. Compatible dimming wireless wall switches are available. For more information, please refer to www.philips.com/spacewis

Mounting

Suspended: Rapid installation sling mount at joints and ends. High strength aircraft cable and stainless steel gripper provide unlimited vertical adjustment and are independently tested to stringent safety standards.

Wall: A hidden steel rail and bracket system attaches to the existing structure and supports housings close to the wall. Mount positioning is fully variable along the modules to accommodate site conditions, spaced up to 4 1/2" on center and within 12" of an end or joint.

Joints

Self-aligning, gasketed joining system. Access panels in the driver channel allow quick and hassle-free wiring of modules either before or after mechanical joints are completed.

Approvals

Certified to UL, CSA and IES standards. Certain suspended versions (24x5L) are DesignLights Consortium® qualified. Please see the DLC QPL list for exact catalog numbers (www.designlights.org/QPL).

Warranty

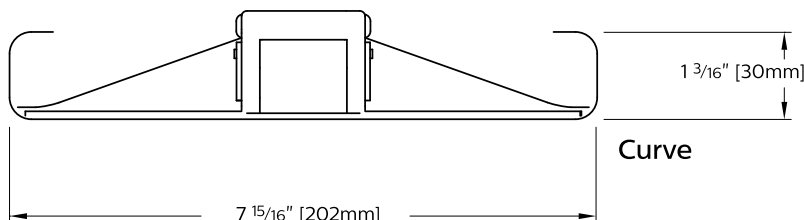
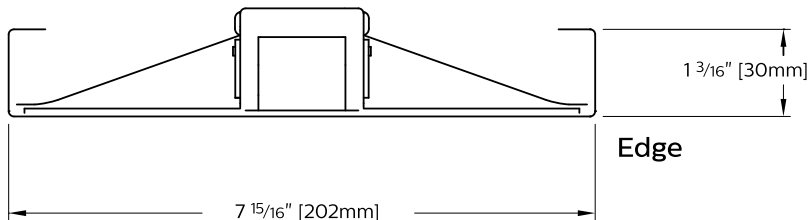
Philips indoor professional luminaires 5 year LED warranty: <http://www.philips.com/warranties>

Environment

Rated for dry or damp locations in operating ambient temperatures 0-40°C (32-104°F). Certain luminaire components may be adversely affected by contaminants. Damage caused by sulfur, chlorine, petroleum based solutions or other contaminants in the area of operation are not covered under warranty. Not suitable for natatorium environments.

Due to continuing product improvements, Philips Ledalite reserves the right to change the specifications without notice.

Dimensions - Cross Section

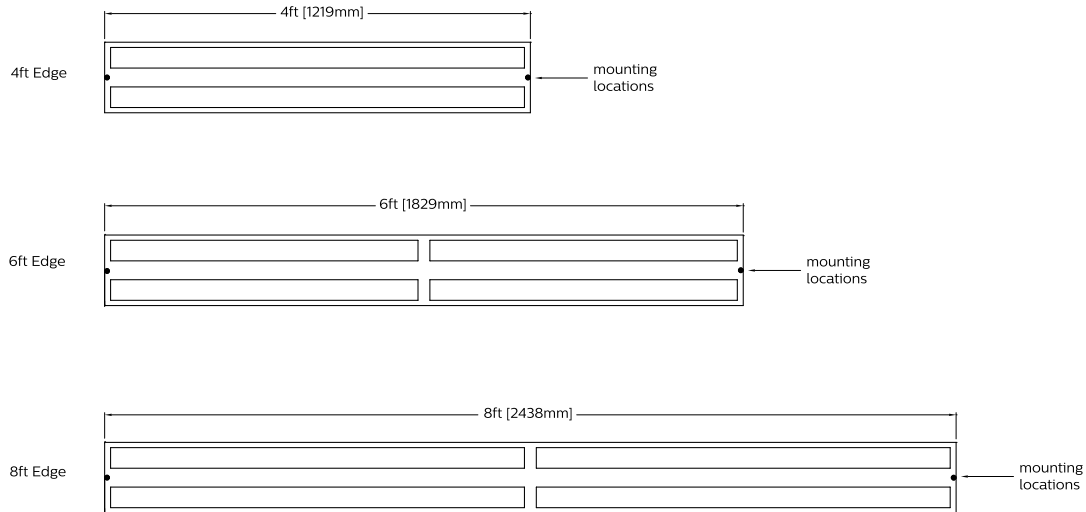


FloatPlane Suspended

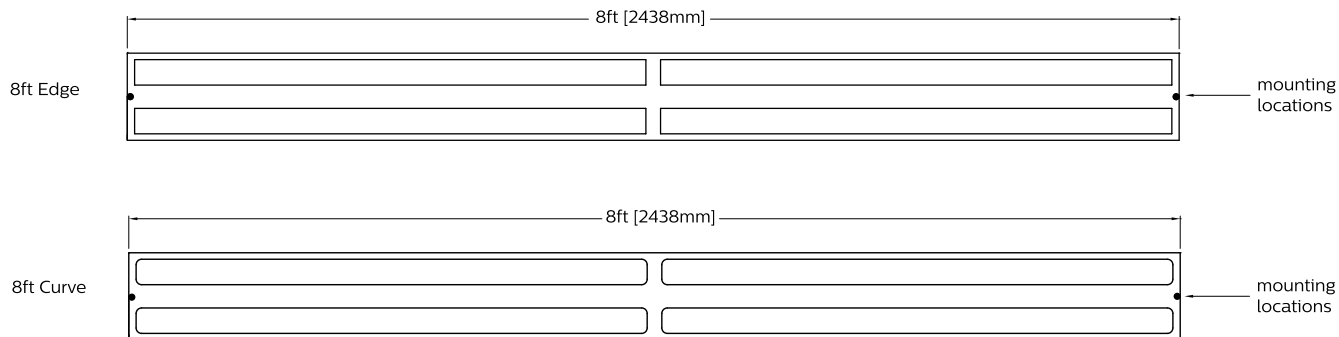
3200 lm/4ft w/ 75% Down Kit*

3000/3500/4000K

Dimensions - Modules



Optics and Styles

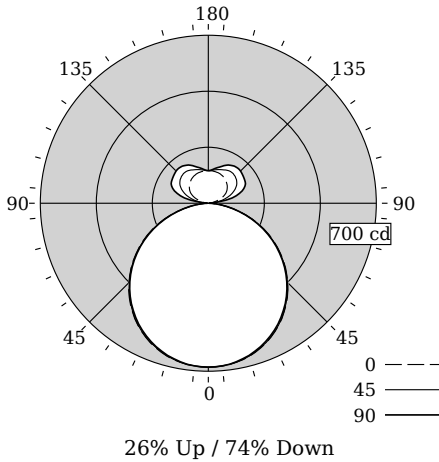


FloatPlane Suspended

3200 lm/4ft w/ 75% Down Kit*

3000/3500/4000K

Photometry - 3500K



Candela Distribution

Vertical Angle	Horizontal Angle				Zonal Lumens
	0	22.5	45	67.5	
0	683	683	683	683	0
5	681	680	680	680	65
15	661	657	660	659	186
25	617	613	616	614	283
35	551	547	550	547	343
45	469	466	467	464	359
55	369	368	366	363	327
65	257	255	254	252	251
75	136	136	135	134	143
85	31	32	34	34	39
90	0	2	3	4	0
95	8	12	19	18	21
105	34	39	72	106	77
115	70	81	116	154	116
125	95	110	145	173	126
135	110	127	158	180	119
145	123	134	161	181	99
155	130	138	153	168	71
165	134	137	145	151	41
175	136	136	137	139	13
180	136	136	136	136	0

Photometry based on 4ft white luminaire. Dust covers and non-white finishes reduce delivered lumens. Custom color finishes may shift output color temperature.

Fixture photometry has been conducted in accordance with IESNA LM-79-08

IES files for this and other photometric options can be downloaded online at www.lightingproducts.philips.com

Coefficients of Utilization (%)

RCR	Ceiling/Wall										
	70	50	30	10	70	50	30	10	70	50	
0	113	113	113	113	107	107	107	97	97	97	74
1	103	98	94	90	98	94	90	85	82	79	62
2	94	86	79	73	89	82	76	74	69	65	52
3	85	75	67	61	81	72	64	65	59	54	43
4	78	66	58	51	74	63	56	58	51	46	37
5	71	59	50	44	68	56	49	51	45	40	32
6	66	53	44	38	62	51	43	46	40	35	28
7	61	48	39	34	58	46	38	42	35	31	24
8	57	44	35	30	54	42	34	38	32	27	22
9	53	40	32	27	50	38	31	35	29	24	20
10	49	37	29	24	47	35	28	32	26	22	18

Avg. Luminance (cd/m²)

Vertical Angle	Horizontal Angle		
	0	45	90
55	3159	3133	3107
65	2993	2958	2922
75	2580	2560	2521
85	1728	1901	1901

Distribution

Hemisphere	26% Up / 74% Down
Glare Control	Meets RP-1-12 recommendations for VDT-Normal spaces
Spacing Along (0 °)	1.28
Spacing Across (90 °)	1.26

Philips Ledalite

lighting facts[®]

A Program of the U.S. DOE

Light Output (Lumens) 2678

Watts 24.9

Lumens per Watt (Efficacy) 107.55

Color Accuracy 82

Color Rendering Index (CRI)

Light Color 3344 (Bright White)

Correlated Color Temperature (CCT)

2700K 3000K 4500K 6500K

All results are according to IESNA LM-79-2008: *Approved Method for the Electrical and Photometric Testing of Solid-State Lighting*. The U.S. Department of Energy (DOE) verifies product test data and results.

Visit www.lightingfacts.com for the *Label Reference Guide*.

Registration Number: F46Z-DGEUZ1 (7/3/2015)
Model Number: 24x5LBEAG
Type: Luminaire - Linear

FloatPlane Suspended

3200 lm/4ft w/ 75% Down Kit*

3000/3500/4000K

Optical Performance

Nominal CCT:	3000K	3500K	4000K
Flux (lm)	2623	2678	2699
Efficacy (lm/W)	105.3	107.6	108.4
Power (W)	24.9	24.9	24.9
CCT (K)	3023	3344	3907
CRI	81	82	83
R9	3	5	10
x	0.4384	0.4178	0.3867
y	0.4101	0.4036	0.3864
Duv	0.0020	0.0030	0.0030

Electrical Performance - 3500K

Input Voltage	120V	277V	347V
Input Power	24.9W	24.7W	21.7W
Input Current	0.21A	0.09A	0.07A
Power Factor	0.998	0.959	0.928
Total Harm. Distortion	7.2%	14.0%	14.0%

Tested values . contact technical support for rated values. Off-state power zero unless certain controls are specified.

With SpaceWise DT, standby power <0.5W (120V) or <0.8W (277V).

