



# Linear

## FloatPlane Suspended

3200 lm/4ft  
3000/3500/4000K



Project: \_\_\_\_\_  
Spec Type: \_\_\_\_\_  
Catalog No: 24x5LxEAA  
Qty \_\_\_\_\_  
Line Notes: \_\_\_\_\_

With FloatPlane LED, it's easier than ever to integrate sleek and sporty style into your layout and within budget. Fresh and playful, with Curve and Edge profile options, FloatPlane's performance rivals that of high-end LED luminaires with the affordability of fluorescent. Available tunable white technology gives you the ability to vary color temperature and intensity, harmonizing lighting with your daily life.

### Ordering guide

Product Type	Version	Source	Color Temp *	Lumens *	Lower Optics	Upper Optics	Run Length	Wiring †	Voltage	Driver	Finish
<input type="text" value="24"/>	<input type="text"/>	<input type="text" value="L"/>	<input type="text"/>	<input type="text" value="E"/>	<input type="text" value="A"/>	<input type="text" value="A"/>	<input type="text"/>	<input type="text"/>	<input type="text"/>	<input type="text"/>	<input type="text"/>
24 FloatPlane	G5 Edge Suspended R5 Curve Suspended	L LED	A 4000K B 3500K C 3000K	B 6000 lm/4ft C 4500 lm/4ft E 3200 lm/4ft	A Acrylic diffuser	A Acrylic diffuser G 75% Down Kit J 100% Down Kit	04 4' 06 6' 08 8' Total run length (2' increments)	7 1 cct Dimming E 2 cct A/B Dimming M 1 cct Dimming + EM Wiring N 1 cct Dimming + EM Batt. Pack	1 120V 2 277V 3 347V	E Philips Advance 0-10V (1% dim) S Philips Advance SR (5% dim)	W Standard White T Titanium Silver B Black C Custom

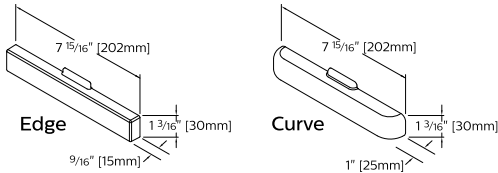
\* Nominal values within a range. Down kits and dust covers reduce output & efficacy. Consult photometry data for color temp, lumens & distribution of chosen configuration.  
† Not all wiring types are available with all configurations. Consult Philips Ledalite for a complete list of available options.

### Mounting Hardware

**Mount Type**  
Consult separate mounting spec sheet for mount type options

**Suspension Length**  
Distance from ceiling to top of luminaire in inches

Endcaps -



**Options & Integrated Controls** Please indicate with check mark.

- Dust Cover
- Response Daylight Single Zone (DS)
- SpaceWise DT Occupancy & Daylight Sensor (SZ)



# FloatPlane Suspended

3200 lm/4ft

3000/3500/4000K

## Optical System

White light emitted from dual linear arrays of lateral-facing LEDs is diffused and redirected into the upper and lower hemispheres with a combination of high reflectivity elements and acrylic diffusers. This delivers a highly efficient 70% up / 30% down indirect/direct distribution with a wide, homogeneous batwing distribution in the upper hemisphere. Twin polymer diffusers on the lower surface combine for an optical aperture of 5-1/2" to deliver a uniform, controlled brightness, maximizing visual comfort and luminaire efficacy. Factory or field installable variable optics kits are available to modify the distribution to 75% down or close to 100% down light. Field installable dust covers available on suspended versions.

## Endcaps

Diecast aluminum endcaps in either Edge or Curve versions to match housing.

## Finish

High quality powder coated, available in matte white, black or titanium silver. Other custom colors, including Pacific Aqua and Surf Yellow, available on request. White sensors only.

## Housing

Precision formed 18 gauge cold-rolled steel. Approx. cross section size: 1.5" h x 8" w (suspended) or 5.7" w (wall mount).

## Weight

Maximum: Suspended 3.5lb/ft, Wall 3.3lb/ft

## Electrical

Factory pre-wired to section ends with quick-wire connectors.

## Standard Drivers

Philips Advance Xitanium 0-10V, 1-100%.  
Philips Advance Xitanium SR, 5-100% (for SpaceWise DT).

Class 2 rated output. Consult Philips Ledalite for other available drivers.

## Standard Battery Pack

Philips Bodine, 90 min, 10W. Class 2 rated output, Emergency lumen output = 10W x luminaire efficacy x 1.1. Typical output 1400lm.

## Lumen Maintenance

LEDs have been tested by the manufacturer in accordance with IESNA LM-80-08. At an ambient temperature of 25°C, the LED lumen maintenance expectation according to IES TM-21-11 is:

L80 (12k) 70,000 hrs suspended / 64,000 hrs wall.  
(Reported methodology)

L70 (12k) 108,000 hrs suspended / 98,000 hrs wall.  
(Projected methodology)

## Source Color

LEDs rated for color rendering CRI >80, R9 >0 and fixture to fixture color accuracy within 2 SDCM.

## Controls

Suspended version available with the following integrated controls:

Response daylight sensor (for single zone).

SpaceWise DT occupancy & daylight sensor w/ advanced grouping & dwell time.

SpaceWise DT commissioning via Android phone and Philips Field App. Compatible dimming wireless wall switches are available. For more information, please refer to [www.philips.com/spacewisel](http://www.philips.com/spacewisel)

## Mounting

**Suspended:** Rapid installation sling mount at joints and ends. High strength aircraft cable and stainless steel gripper provide unlimited vertical adjustment and are independently tested to stringent safety standards.

**Wall:** A hidden steel rail and bracket system attaches to the existing structure and supports housings close to the wall. Mount positioning is fully variable along the modules to accommodate site conditions, spaced up to 4 1/2" on center and within 12" of an end or joint.

## Joints

Self-aligning, gasketed joining system. Access panels in the driver channel allow quick and hassle-free wiring of modules either before or after mechanical joints are completed.

## Approvals

Certified to UL, CSA and IES standards. Certain suspended versions (24x5L) are DesignLights Consortium® qualified. Please see the DLC QPL list for exact catalog numbers ([www.designlights.org/QPL](http://www.designlights.org/QPL)).

## Warranty

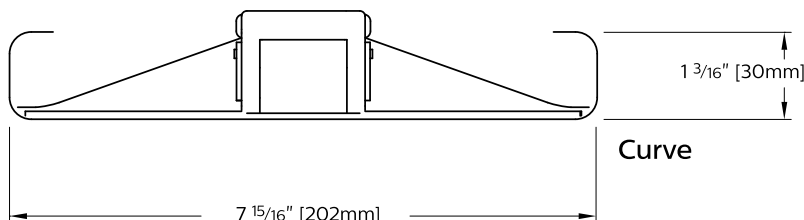
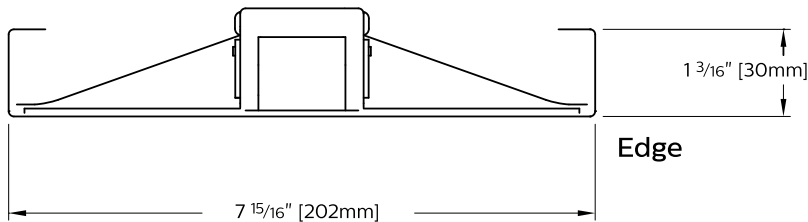
Philips indoor professional luminaires 5 year LED warranty: <http://www.philips.com/warranties>

## Environment

Rated for dry or damp locations in operating ambient temperatures 0-40°C (32-104°F). Certain luminaire components may be adversely affected by contaminants. Damage caused by sulfur, chlorine, petroleum based solutions or other contaminants in the area of operation are not covered under warranty. Not suitable for natatorium environments.

Due to continuing product improvements, Philips Ledalite reserves the right to change the specifications without notice.

## Dimensions - Cross Section

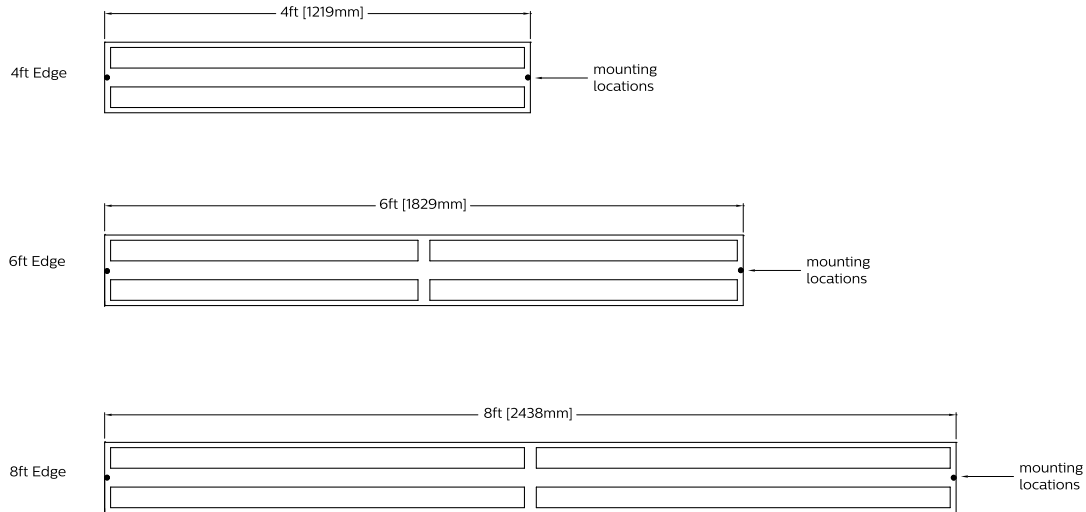


# FloatPlane Suspended

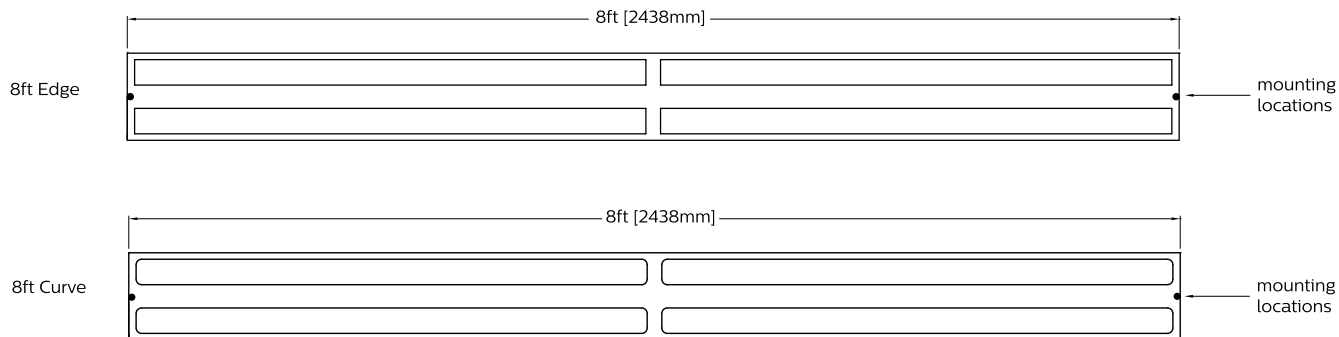
3200 lm/4ft

3000/3500/4000K

## Dimensions - Modules



## Optics and Styles

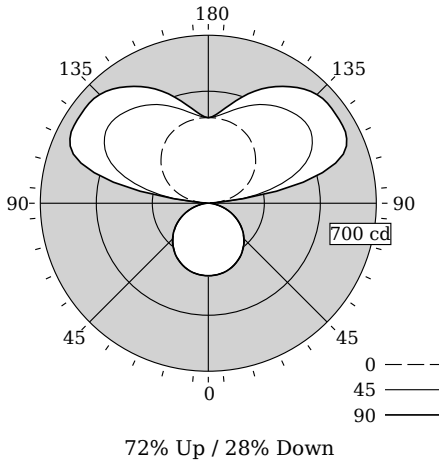


# FloatPlane Suspended

3200 lm/4ft

3000/3500/4000K

## Photometry - 3500K



## Candela Distribution

Vertical Angle	Horizontal Angle				Zonal Lumens	
	0	22.5	45	67.5		90
0	302	302	302	302	302	0
5	301	301	301	301	301	29
15	293	291	293	293	293	83
25	274	272	275	276	274	126
35	245	244	247	247	246	154
45	208	209	210	211	211	162
55	164	165	167	166	166	148
65	114	115	115	114	114	114
75	61	62	62	62	61	65
85	14	15	16	16	16	19
90	0	3	6	7	8	0
95	32	54	65	41	32	76
105	109	169	317	445	492	318
115	177	288	465	593	636	430
125	233	353	522	617	647	432
135	278	375	521	611	640	380
145	312	381	493	567	593	297
155	336	377	452	507	526	205
165	350	367	402	431	442	114
175	357	359	364	368	371	35
180	357	357	357	357	357	0

Photometry based on 4ft white luminaire. Dust covers and non-white finishes reduce delivered lumens. Custom color finishes may shift output color temperature.

Fixture photometry has been conducted in accordance with IESNA LM-79-08

IES files for this and other photometric options can be downloaded online at [www.lightingproducts.philips.com](http://www.lightingproducts.philips.com)

## Coefficients of Utilization (%)

RCR	Ceiling										
	70	50	30	10	70	50	30	50	30	10	0
0	102	102	102	102	91	91	91	71	71	71	28
1	93	89	85	81	83	79	76	62	60	58	23
2	84	77	71	66	75	69	64	54	51	48	19
3	77	68	60	55	68	61	55	48	43	40	16
4	70	60	52	46	62	54	47	42	37	34	14
5	64	53	45	39	57	48	41	38	33	29	12
6	59	47	39	34	52	43	36	34	29	25	10
7	54	42	35	29	48	38	32	30	25	22	9
8	50	38	31	26	45	35	28	28	23	19	8
9	47	35	28	23	42	31	25	25	20	17	7
10	43	32	25	20	39	29	23	23	18	15	7

## Avg. Luminance (cd/m<sup>2</sup>)

Vertical Angle	Horizontal Angle		
	0	45	90
55	1407	1433	1424
65	1332	1344	1332
75	1155	1174	1155
85	800	914	914

## Distribution

Hemisphere	72% Up / 28% Down
Peak/Zenith	1.82
Peak Output	648 cd
Glare Control	Meets RP-1-12 recommendations for VDT-Critical spaces

Philips Ledalite

**lighting facts**  
A Program of the U.S. DOE

---

**Light Output (Lumens)** **3184**

**Watts** **24.9**

**Lumens per Watt (Efficacy)** **127.87**

---

**Color Accuracy** **82**

Color Rendering Index (CRI)

---

**Light Color** **3427 (Bright White)**

Correlated Color Temperature (CCT)

2700K   3000K   3427K   4500K   6500K

---

All results are according to IESNA LM-79-2008: *Approved Method for the Electrical and Photometric Testing of Solid-State Lighting*. The U.S. Department of Energy (DOE) verifies product test data and results.

Visit [www.lightingfacts.com](http://www.lightingfacts.com) for the **Label Reference Guide**.

Registration Number: F46Z-5D46PW (7/3/2015)  
Model Number: 24x5LBEEA  
Type: Luminaire - Linear

# FloatPlane Suspended

3200 lm/4ft

3000/3500/4000K

## Optical Performance

Nominal CCT:	3000K	3500K	4000K
Flux (lm)	3144	3184	3194
Efficacy (lm/W)	126.3	127.9	128.8
Power (W)	24.9	24.9	24.8
CCT (K)	3092	3427	4028
CRI	81	82	83
R9	4	6	11
x	0.4333	0.4122	0.3805
y	0.4077	0.4000	0.3811
Duv	0.0020	0.0030	0.0020

## Electrical Performance - 3500K

Input Voltage	120V	277V	347V
Input Power	24.9W	24.7W	21.7W
Input Current	0.21A	0.09A	0.07A
Power Factor	0.998	0.959	0.928
Total Harm. Distortion	7.2%	14.0%	14.0%

Tested values . contact technical support for rated values. Off-state power zero unless certain controls are specified.

With SpaceWise DT, standby power <0.5W (120V) or <0.8W (277V).

