



Linear

FloatPlane Suspended LED

CRI >80 3000K, 6000 lm/4ft



Project: _____
 Spec Type: _____
 Catalog No: 24x5LCBAG _____
 Qty _____
 Line Notes: _____

Interior spaces should resonate, evoke emotion and satisfy a purpose. With FloatPlane LED, it's easier than ever to integrate sleek and sporty style into your layout and within your budget. Fresh and playful with two profile options, Curve and Edge, FloatPlane's performance rivals that of high-end LED luminaires with the affordability of fluorescent.

Ordering guide

Product Type	Version	Source	Color Temp *	Lumens *	Lower Optics	Upper Optics	Run Length	Wiring †	Voltage	Driver	Finish
<input type="text" value="24"/>	<input type="text"/>	<input type="text" value="L"/>	<input type="text" value="C"/>	<input type="text" value="B"/>	<input type="text" value="A"/>	<input type="text" value="G"/>	<input type="text"/>	<input type="text"/>	<input type="text"/>	<input type="text"/>	<input type="text"/>
24 FloatPlane	G5 Edge Suspended R5 Curve Suspended	L LED	A 4000K B 3500K C 3000K	B 6000 lm/4ft C 4500 lm/4ft E 3200 lm/4ft	A Acrylic diffuser	A Acrylic diffuser G 75% Down Kit J 100% Down Kit	04 4' 06 6' 08 8' XX Total run length (2' increments)	1 1 cct 3 1 cct w/ EM cct 5 1 cct w/ BP 7 1 cct w/ Dimming 8 1 cct w/ TW B 2 cct A/B N 1 cct w/ Dim & BP	1 120V 2 277V 3 347V	E Philips Advance Other drivers available - consult factory	W Standard White T Titanium Silver B Black C Custom

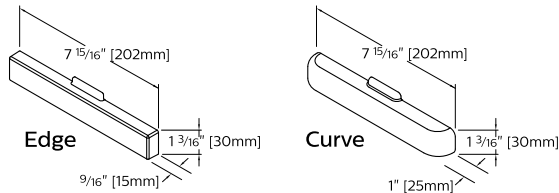
* Nominal values within a range. Consult ies file for exact color temp, lumens and up/down distribution † Consult website for complete list of standard wiring options

Mounting Hardware

Mount Type
Consult separate mounting spec sheet for mount type options

Suspension Length
Distance from ceiling to top of luminaire in inches

Endcaps -



Integrated Controls Please indicate with check mark.

- Response Daylight Sensor Single Zone (DS)
- Philips Actilume Occupancy Sensor (DO) (includes field commissionable daylight sensor)



FloatPlane Suspended LED

CRI >80 3000K, 6000 lm/4ft

Housing

Precision formed 18 gauge cold-rolled steel. Approx. cross section size: 1.5”h x 8”w (suspended) or 5.7”w (wall mount).

Weight

Maximum: Suspended 3.5lb/ft, Wall 3.3lb/ft

Optical System

White light emitted from dual linear arrays of lateral-facing LEDs is diffused and redirected into the upper and lower hemispheres through a combination of high reflectivity components and acrylic diffusers. This delivers a high efficiency 70% up / 30% down indirect/direct distribution with a wide, homogeneous batwing distribution in the upper hemisphere. Twin polymer diffusers on the lower surface with a combined optical aperture of 5-1/2” deliver a uniform, controlled brightness to maximize visual comfort and luminaire efficacy. Factory or field installable variable optics kits are available to modify the distribution to 75% down or close to 100% down light.

Standard Driver

Philips Advance Xitanium. Output is Class 2 rated. Dimming: 0-10V, 5-100%.

Electrical

Pre-wired to module ends, quick-wire connectors included.

Mounting

Suspended: Rapid installation sling mount at joints and ends. High strength aircraft cable and stainless steel gripper provide unlimited vertical adjustment and are independently tested to meet stringent safety requirements.

Wall: A hidden steel rail and bracket system attaches to the existing structure and supports housings close to the wall. Mount positioning is fully variable along the modules to accommodate site conditions, but should be no more than 4-1/2ft on center and always within 12” of an end or joint.

Joints

Self-aligning, gasketed joining system. Access panels in the driver channel allow quick and hassle-free wiring of modules either before or after mechanical joints are completed.

Endcaps

Diecast aluminum endcaps in either Edge or Curve versions to match housing.

Finish

High quality powder coated, available in matte white, black or titanium silver. Other custom colors, including Pacific Aqua and Surf Yellow, available on request.

Approvals

Certified to UL, CSA and IES standards.

Lumen Maintenance

Lumen maintenance of the LEDs has been tested by the manufacturer in accordance with IESNA LM-80-08. At an ambient temperature of 25°C, the LED lumen maintenance expectation is:

Suspended:L80 (12k) 70,000 hrs

Wall mount:L80 (12k) 64,000 hrs

according to IES TM-21-11 Addendum A Reported methodology

Warranty

Philips indoor professional luminaires 5 year LED warranty:

<http://www.philips.com/warranties>

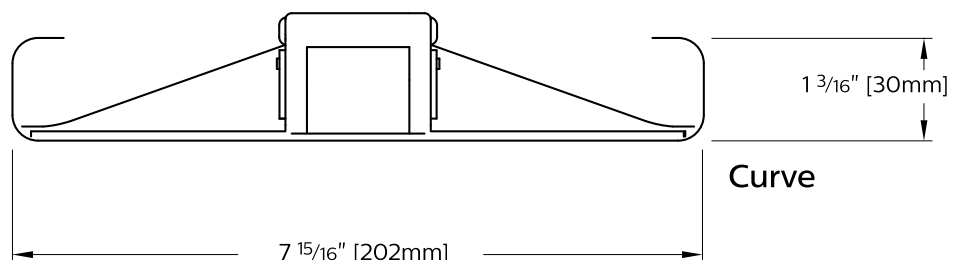
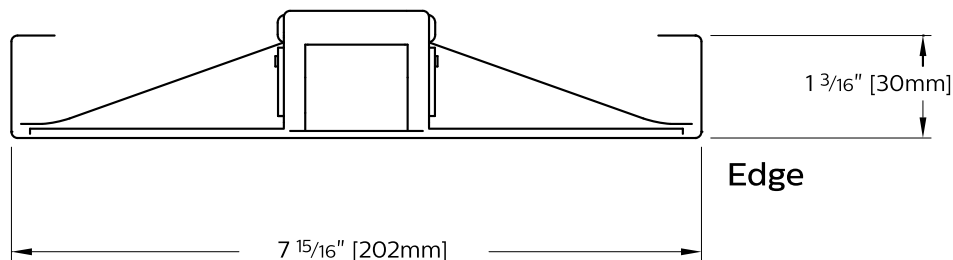
Environment

Rated for dry or damp locations in operating ambient temperatures 0-40°C (32-104°F). Certain luminaire components may be adversely affected by contaminants. Damage caused by sulfur, chlorine, petroleum based solutions or other contaminants in the area of operation are not covered under warranty. Not suitable for natatorium environments.

Due to continuing product improvements, Philips Ledalite reserves the right to change the specifications without notice.

Options and Details

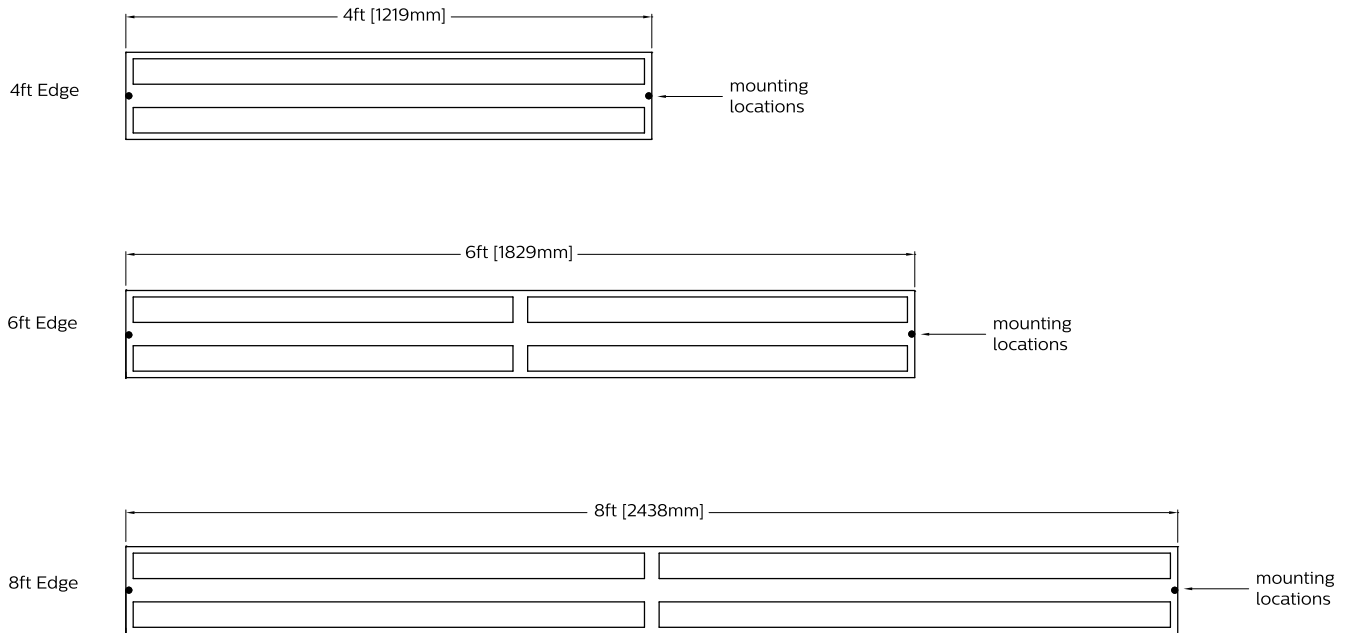
Cross Section



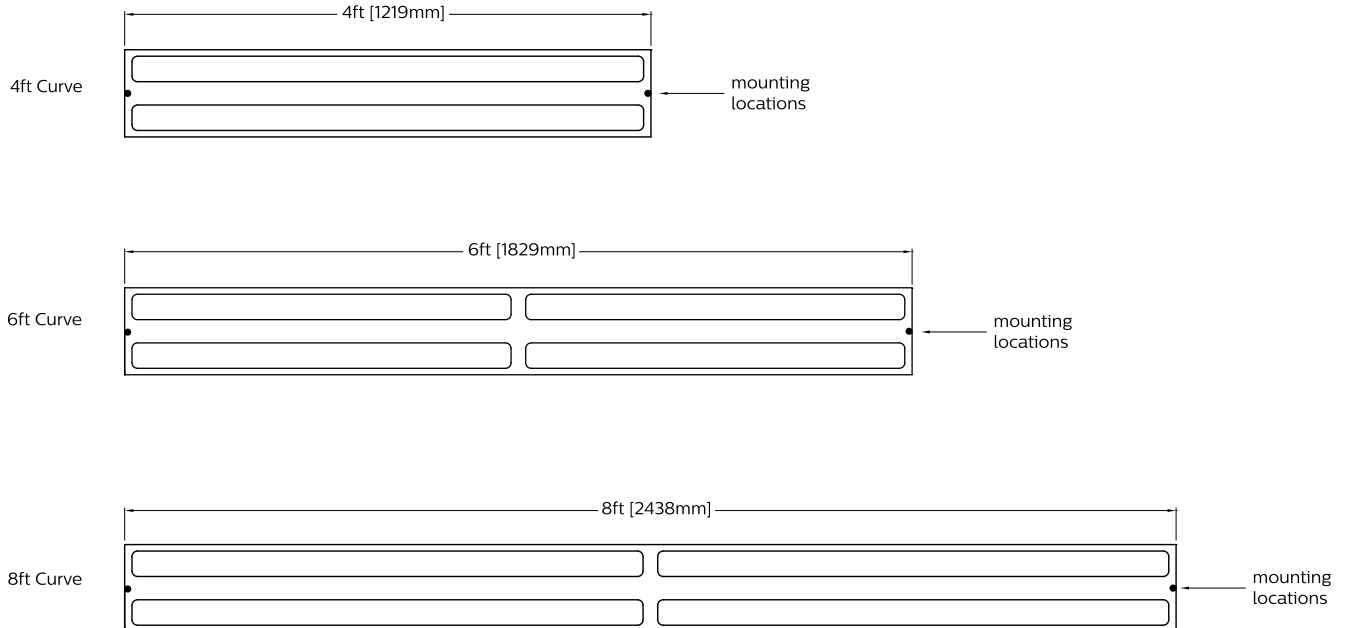
FloatPlane Suspended LED

CRI >80 3000K, 6000 lm/4ft

Modules - Edge



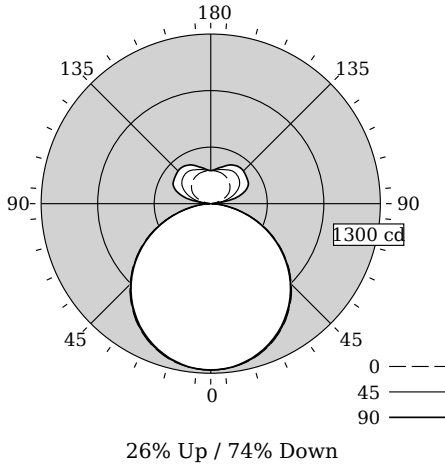
Modules - Curve



FloatPlane Suspended LED

CRI >80 3000K, 6000 lm/4ft

Photometry



Total Output	4999 lm
Efficacy	100.4 lm/W
CCT	3032K
CRI	81
R9	2
Distribution	26% Up / 74% Down
Spacing Criteria (0/90/180°)	1.28/1.26/NA

Photometry based on 4ft white luminaire. Black, Titanium and Custom color finishes may reduce delivered lumens. Custom color finishes may shift output color temperature.

Fixture photometry has been conducted by an NVLAP accredited testing laboratory in accordance with IESNA LM-79-08

IES files for this and other photometric options can be downloaded online at www.lightingproducts.philips.com

Candela Distribution

Vertical Angle	Horizontal Angle				Zonal Lumens
	0	45	67.5	90	
0	1275	1275	1275	1275	0
5	1271	1269	1269	1269	121
15	1233	1226	1231	1229	347
25	1151	1144	1149	1146	528
35	1029	1022	1027	1022	641
45	875	869	871	865	670
55	688	686	682	679	610
65	480	477	475	471	468
75	253	253	252	250	248
85	57	59	63	63	72
90	0	4	6	8	0
95	15	23	36	34	40
105	63	72	135	198	225
115	132	151	217	288	314
125	177	206	271	322	339
135	206	236	295	335	355
145	229	250	301	337	353
155	242	257	286	314	326
165	250	255	271	282	288
175	253	253	255	259	259
180	253	253	253	253	0

Coefficients of Utilization (%)

RCR	Ceiling: Wall										
	70	50	30	10	70	50	30	50	30	10	0
0	113	113	113	113	107	107	107	97	97	97	74
1	103	98	94	90	98	94	90	85	82	79	62
2	94	86	79	73	89	82	76	74	69	65	52
3	85	75	67	61	81	72	64	65	59	54	43
4	78	66	58	51	74	63	56	58	51	46	37
5	71	59	50	44	68	56	49	51	45	40	32
6	66	53	44	38	62	51	43	46	40	35	28
7	61	48	39	34	58	46	38	42	35	31	24
8	57	44	35	30	54	42	34	38	32	27	22
9	53	40	32	27	50	38	31	35	29	24	20
10	49	37	29	24	47	35	28	32	26	22	18

Avg. Luminance (cd/m²)

Vertical Angle	Horizontal Angle		
	0	45	90
55	5898	5849	5800
65	5588	5521	5455
75	4816	4779	4707
85	3226	3548	3548

Philips Ledalite

lighting facts®

A Program of the U.S. DOE

Light Output (Lumens) **4999**

Watts **49.8**

Lumens per Watt (Efficacy) **100.38**

Color Accuracy **81**

Color Rendering Index (CRI)

Light Color **3032 (Bright White)**

Correlated Color Temperature (CCT)

All results are according to IESNA LM-79-2008: *Approved Method for the Electrical and Photometric Testing of Solid-State Lighting*. The U.S. Department of Energy (DOE) verifies product test data and results.

Visit www.lightingfacts.com for the *Label Reference Guide*.

Registration Number: F46Z-2RUHK8 (7/3/2015)
Model Number: 24x5LCBAG
Type: Luminaire - Linear

Electrical Specifications

Input Voltage	120V	277V
Input Power	49.8W	49.2W
Input Current	0.42A	0.18A
Power Factor	0.998	0.963
Total Harm. Distortion	6.5%	13.4%
Tested values – contact technical support for rated values. Off-state power zero unless certain controls are specified.		

