

Minimalist scale, unequaled performance that delivers

CHOPSTICK WALL LED



DIRECT/INDIRECT ASYMMETRIC, MESOOPTICS LENS
2800 lm/4ft 4000K

Project:

Spec Type:

Catalog No: 7508LAE_xN

Qty

Line Notes:



Ordering guide

Product Type	Source	Color Temp *	Lumens *	Lower Optics	Upper Optics	Run Length	Wiring †	Voltage ‡	Driver ‡	Finish
7508	L	A	E		N					
Chopstick Wall Direct/Ind	L LED	A 4000K B 3500K C 3000K	E 2800 lm/4ft G 1900 lm/4ft	S MesoOptics Lens Q MesoOptics Lens	N Lightguide	04 4' 06 6' 08 8' Total run length (2' increments)	1 1 cct 3 1 cct + EM/NL Wiring 5 1 cct + EM Batt. Pack 7 1 cct Dimming B 2 cct A/B E 2 cct A/B Dimming M 1 cct Dimming + EM Wiring N 1 cct Dimming + EM Batt. Pack	1 120V 2 277V 3 347V	E Philips Advance	W Standard White T Titanium Silver B Black C Custom

* Nominal values within a range. Consult photometry data for exact color temp, lumens & distribution.

† Not all wiring types are available with all configurations. Consult Philips Ledalite for a complete list of available options.

‡ 347 only available in 8ft modules. Driver details on following pages.

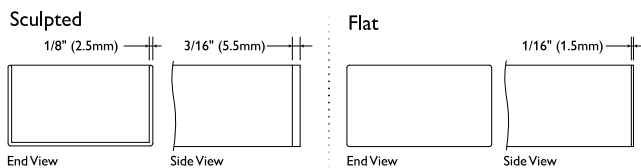
Mounting Hardware

Wall Mount Type
Consult separate mounting spec sheet for mount type options

Endcaps -

Integrated Controls Please indicate with check mark.

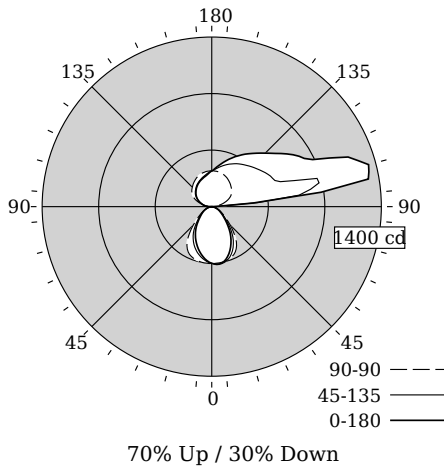
No Options Available



CHOPSTICK WALL LED

DIRECT/INDIRECT ASYMMETRIC, MESOOPTICS LENS

Photometry



Total Output	2872 lm
Efficacy	76.0 lm/W
CCT	4029K
CRI	82
Distribution	70% Up / 30% Down
Peak/Zenith Ratio	4.55
Peak Output	1340 cd @ 105°
Meets RP-1-12 recommendations for VDT-Critical spaces	

Values per 4ft unit

Fixture photometry has been conducted in accordance with IESNA LM-79-08

IES files for this and other photometric options can be downloaded online at www.lightingproducts.philips.com

Candela Distribution

Vertical Angle	Horizontal Angle					Zonal Lumens
	0	45	90	135	180	
0	468	468	468	468	468	0
5	479	476	468	455	448	44
15	451	465	461	409	384	123
25	368	404	435	346	309	174
35	265	303	355	264	230	181
45	162	186	217	169	150	141
55	97	109	119	106	99	97
65	59	63	66	65	62	63
75	24	27	27	29	29	30
85	7	6	4	9	10	8
90	0	0	0	0	0	0
95	345	384	21	49	65	208
105	1340	900	93	82	84	447
115	919	554	158	125	122	349
125	759	510	200	162	156	301
135	625	465	227	190	184	250
145	533	427	252	215	209	199
155	455	389	274	237	231	144
165	380	349	289	258	250	86
175	317	309	295	283	277	28
180	295	295	295	295	295	0

Coefficients of Utilization (%)

RCR	Ceiling/Wall										
	70	80	90	10	20	30	40	50	60	70	
0	102	102	102	102	92	92	92	72	72	72	30
1	94	90	86	83	84	81	78	64	62	60	26
2	86	79	73	69	77	71	66	57	53	51	23
3	79	70	63	58	70	63	57	50	46	43	20
4	72	62	55	49	65	56	50	45	41	37	18
5	66	55	48	42	59	50	44	40	36	32	16
6	61	50	42	37	55	45	39	37	32	28	14
7	57	45	38	32	51	41	34	33	28	25	13
8	52	41	34	29	47	37	31	30	26	22	12
9	49	37	30	26	44	34	28	28	23	20	11
10	46	34	27	23	41	31	25	26	21	18	10

Avg. Luminance (cd/m2)

Vertical Angle	Horizontal Angle		
	0	90	180
55	4977	6108	5052
65	4094	4605	4298
75	2674	3008	3342
85	2481	1489	3474

LED lighting facts
A Program of the U.S. DOE

Light Output (Lumens) 2872
Watts 37.8
Lumens per Watt (Efficacy) 75

Color Accuracy
Color Rendering Index (CRI) 82

Light Color
Correlated Color Temperature (CCT) 4029 (Bright White)

2700K 3000K 4500K 6500K

Warranty** Yes

All results, except LED Lumen Maintenance, are according to IESNA LM-79-2008 Approved Method for the Electrical and Photometric Testing of Solid-State Lighting. The U.S. Department of Energy (DOE) verifies product test data and results.

** See www.lightingfacts.com/products for details.

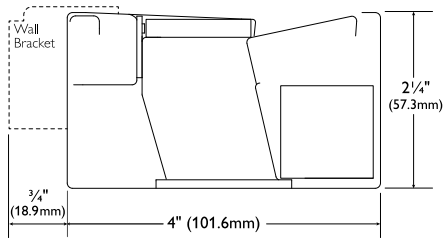
Registration Number: F46Z-G4X28M (3/20/2014)
Model Number: 7508LAE0x04
Type: Luminaire - Linear

Electrical Specifications

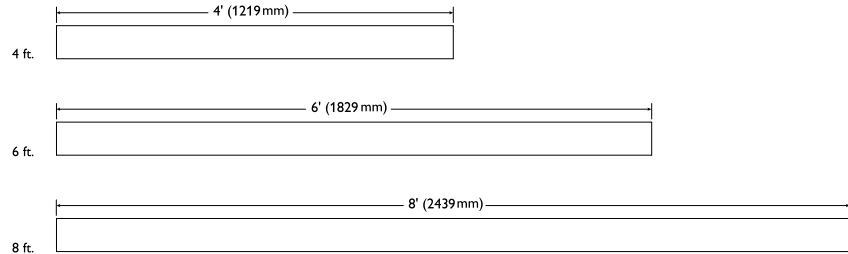
Input Voltage	120V	277V
Input Power	37.8W	37.5W
Input Current	0.32A	0.15A
Power Factor	0.986	0.907
Total Harm. Distortion	14.9%	20.3%
0		

DIRECT/INDIRECT ASYMMETRIC, MESOOPTICS LENS

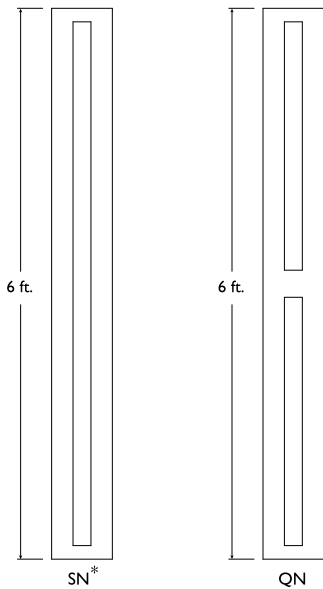
Options and Details



Modules



Optics & Styles



*SN optic is only available in 6ft modules

Housing

Precision formed 20 gauge cold-rolled steel.

Weight

Maximum 3.0lb/ft.

Optical System

A low-profile light guide panel is edge lit by an LED array. The light guide couples and transmits the light via total internal reflection, then the etched surface of the panel optimizes the light extraction to create a semi-indirect (suspended) or direct/indirect (wall) distribution. Light is purified and controlled by MesoOptics film as it passes through the nonglare acrylic lens.

Standard Driver

Dimming: 0-10V, 5-100%. Output is Class 2 rated. 347V option uses a step-down transformer (only available in 8ft module).

Lumen Maintenance

At an ambient temperature of 25°C, the LED lumen maintenance expectation is L_{80} (12k) 70,000 hrs.

Standard Driver

Dimming: 0-10V, 5-100%. Output is Class 2 rated. 347V option uses a step-down transformer (only available in 8ft module).

Lumen Maintenance

At an ambient temperature of 25°C, the LED lumen maintenance expectation is L_{80} (12k) 70,000 hrs.

Mounting

Suspended: tamper-resistant aircraft cable grippers provide infinite vertical adjustment capability. Aircraft cable, crimp and cable gripper are independently tested to meet stringent safety requirements.

Wall: Steel mounting brackets provided, spaced 4ft on center; fixture held 3/4" from wall.

Joints

Self-aligning joining system with hands-free pre-joining wire access.

Endcaps

Diecast aluminum endcaps, available in flat (standard) or edge sculpted.

Electrical

Factory pre-wired to section ends with quick-wire connectors.

Approvals

Certified to UL, CSA and IES standards.

Finish

High quality powder coated, available in matte white, black or titanium silver. Other factory and custom colors available on request.

Environment

Rated for dry or damp locations in operating ambient temperatures 0-40°C (32-104°F). Certain luminaire components may be adversely affected by contaminants. Damage caused by sulfur, chlorine, petroleum based solutions or other contaminants are not covered under warranty.

Due to continuing product improvements, Philips Ledalite reserves the right to change the specifications without notice.



©2014 Koninklijke Philips N.V. All rights reserved.
Specifications are subject to change without notice.
www.philips.com/luminaires

ChopWallAsy_40K28lm_xN 05.17 page 3 of 3

Philips Lighting
North America Corporation
200 Franklin Square Drive
Somerset, NJ 08873
Phone: 855-486-2216

Philips Lighting Company
281 Hillmount Road
Markham ON, Canada L6C
2S3
Phone: 800-668-9008