

# Minimalist scale, unequaled performance that delivers

## CHOPSTICK WALL LED



DIRECT/INDIRECT ASYMMETRIC, MESOOPTICS LENS  
2800 lm/4ft 3000K

**Project:**

**Spec Type:**

**Catalog No:** 7508LCExN

**Qty**

**Line Notes:**



### Ordering guide

| Product Type              | Source | Color Temp *                  | Lumens *                       | Lower Optics                           | Upper Optics | Run Length  | Wiring †  | Voltage ‡                  | Driver ‡          | Finish   |
|---------------------------|--------|-------------------------------|--------------------------------|--|--------------|---|---|----------------------------|-------------------|--|
| 7508                      | L      | C                             | E                              |  | N            |   |   |                            |                   |  |
| Chopstick Wall Direct/Ind | L LED  | A 4000K<br>B 3500K<br>C 3000K | E 2800 lm/4ft<br>G 1900 lm/4ft | S MesoOptics Lens<br>Q MesoOptics Lens | N Lightguide | 04 4'<br>06 6'<br>08 8'<br>Total run length (2' increments) | 1 1 cct<br>3 1 cct + EM/NL Wiring<br>5 1 cct + EM Batt. Pack<br>7 1 cct Dimming<br>B 2 cct A/B<br>E 2 cct A/B Dimming<br>M 1 cct Dimming + EM Wiring<br>N 1 cct Dimming + EM Batt. Pack | 1 120V<br>2 277V<br>3 347V | E Philips Advance | W Standard White<br>T Titanium Silver<br>B Black<br>C Custom |

\* Nominal values within a range. Consult photometry data for exact color temp, lumens & distribution.

† Not all wiring types are available with all configurations. Consult Philips Ledalite for a complete list of available options.

‡ 347 only available in 8ft modules. Driver details on following pages.

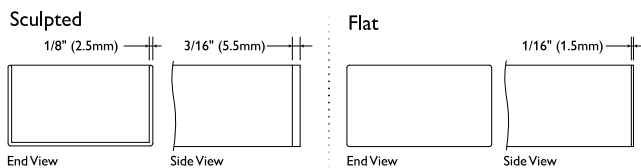
### Mounting Hardware

Wall Mount Type  
Consult separate mounting spec sheet for mount type options

Endcaps -

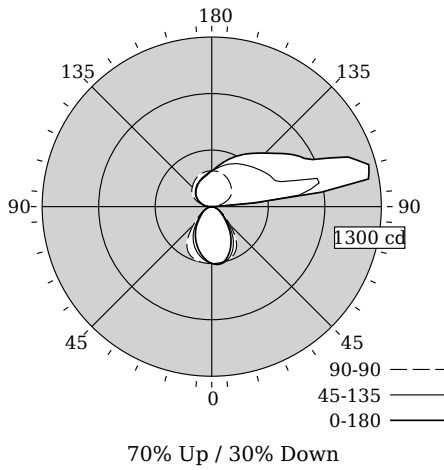
**Integrated Controls** Please indicate with check mark.

No Options Available



## DIRECT/INDIRECT ASYMMETRIC, MESOOPTICS LENS

### Photometry



|   |                   |
|---|-------------------|
| Total Output  | 2669 lm           |
| Efficacy  | 71.0 lm/W         |
| CCT   | 3031K             |
| CRI   | 82                |
| Distribution  | 70% Up / 30% Down |
| Peak/Zenith Ratio                                     | 4.55              |
| Peak Output   | 1246 cd @ 105°    |
| Meets RP-1-12 recommendations for VDT-Critical spaces |                   |

Values per 4ft unit

Fixture photometry has been conducted in accordance with IESNA LM-79-08

IES files for this and other photometric options can be downloaded online at [www.lightingproducts.philips.com](http://www.lightingproducts.philips.com)

### Candela Distribution

| Vertical Angle | Horizontal Angle |     |     |     | Zonal Lumens |
|----------------|------------------|-----|-----|-----|--------------|
|                | 0                | 45  | 90  | 135 |              |
| 0              | 435              | 435 | 435 | 435 | 0            |
| 5              | 445              | 442 | 435 | 423 | 41           |
| 15             | 419              | 433 | 428 | 381 | 114          |
| 25             | 342              | 375 | 404 | 322 | 162          |
| 35             | 246              | 282 | 330 | 245 | 168          |
| 45             | 151              | 172 | 201 | 157 | 131          |
| 55             | 90               | 101 | 111 | 99  | 91           |
| 65             | 55               | 59  | 62  | 60  | 57           |
| 75             | 22               | 25  | 25  | 27  | 28           |
| 85             | 7                | 5   | 4   | 8   | 10           |
| 90             | 0                | 0   | 0   | 0   | 0            |
| 95             | 320              | 357 | 19  | 45  | 60           |
| 105            | 1246             | 836 | 86  | 77  | 78           |
| 115            | 854              | 515 | 146 | 116 | 114          |
| 125            | 705              | 474 | 186 | 151 | 145          |
| 135            | 580              | 433 | 211 | 177 | 171          |
| 145            | 496              | 397 | 234 | 200 | 194          |
| 155            | 423              | 361 | 255 | 220 | 215          |
| 165            | 353              | 324 | 268 | 240 | 233          |
| 175            | 294              | 287 | 274 | 263 | 257          |
| 180            | 274              | 274 | 274 | 274 | 274          |

### Coefficients of Utilization (%)

| RCR | Ceiling: Walk |     |     |     |    |    |    |    |    |    |    |    |
|-----|---------------|-----|-----|-----|----|----|----|----|----|----|----|----|
|     | 70            | 50  | 30  | 10  | 70 | 50 | 30 | 50 | 30 | 10 | 0  | 0  |
| 0   | 102           | 102 | 102 | 102 | 92 | 92 | 92 | 72 | 72 | 72 | 30 | 30 |
| 1   | 94            | 90  | 86  | 83  | 84 | 81 | 78 | 64 | 62 | 60 | 26 | 26 |
| 2   | 86            | 79  | 73  | 69  | 77 | 71 | 66 | 57 | 53 | 51 | 23 | 23 |
| 3   | 79            | 70  | 63  | 58  | 70 | 63 | 57 | 50 | 46 | 43 | 20 | 20 |
| 4   | 72            | 62  | 55  | 49  | 65 | 56 | 50 | 45 | 41 | 37 | 18 | 18 |
| 5   | 66            | 55  | 48  | 42  | 59 | 50 | 44 | 40 | 36 | 32 | 16 | 16 |
| 6   | 61            | 50  | 42  | 37  | 55 | 45 | 39 | 37 | 32 | 28 | 14 | 14 |
| 7   | 57            | 45  | 38  | 32  | 51 | 41 | 34 | 33 | 28 | 25 | 13 | 13 |
| 8   | 52            | 41  | 34  | 29  | 47 | 37 | 31 | 30 | 26 | 22 | 12 | 12 |
| 9   | 49            | 37  | 30  | 26  | 44 | 34 | 28 | 28 | 23 | 20 | 11 | 11 |
| 10  | 46            | 34  | 27  | 23  | 41 | 31 | 25 | 26 | 21 | 18 | 10 | 10 |

### Avg. Luminance (cd/m<sup>2</sup>)

| Vertical Angle | Horizontal Angle |      |      |
|----------------|------------------|------|------|
|                | 0                | 90   | 180  |
| 55             | 4625             | 5677 | 4695 |
| 65             | 3805             | 4280 | 3995 |
| 75             | 2485             | 2796 | 3106 |
| 85             | 2306             | 1384 | 3228 |

**LED lighting facts**  
A Program of the U.S. DOE

**Light Output (Lumens)** 2669  
**Watts** 37.6  
**Lumens per Watt (Efficacy)** 70

**Color Accuracy**  
Color Rendering Index (CRI) 82

**Light Color**  
Correlated Color Temperature (CCT) 3031 (Bright White)

Warm White | Bright White | Daylight  
2700K | 3000K | 4500K | 6500K

**Warranty\*\*** Yes

All results, except LED Lumen Maintenance, are according to IESNA LM-79-2008 Approved Method for the Electrical and Photometric Testing of Solid-State Lighting. The U.S. Department of Energy (DOE) verifies product test data and results.

\*\* See [www.lightingfacts.com/products](http://www.lightingfacts.com/products) for details.

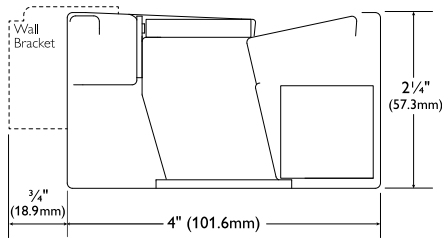
Registration Number: F46Z-182AE2 (3/20/2014)  
Model Number: 7508LCExx04  
Type: Luminaire - Linear

### Electrical Specifications

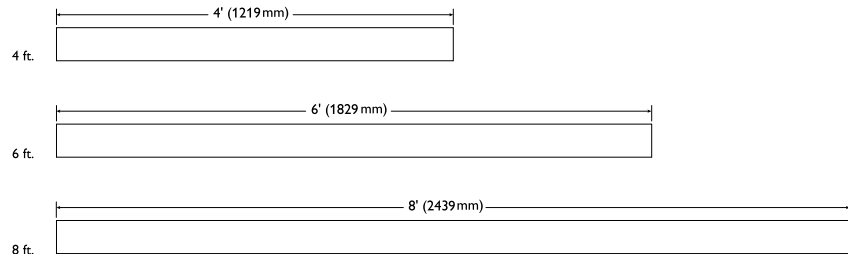
|                        |       |       |
|------------------------|-------|-------|
| Input Voltage          | 120V  | 277V  |
| Input Power            | 37.6W | 37.3W |
| Input Current          | 0.32A | 0.15A |
| Power Factor           | 0.986 | 0.907 |
| Total Harm. Distortion | 14.9% | 20.3% |
| 0                      |       |       |

## DIRECT/INDIRECT ASYMMETRIC, MESOOPTICS LENS

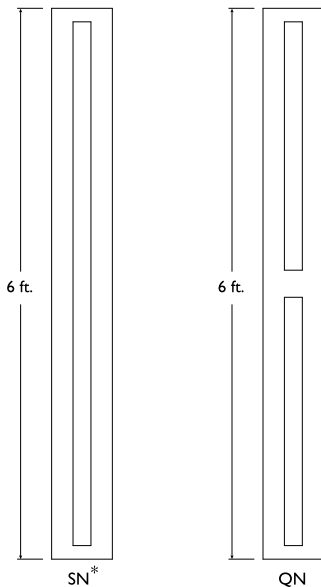
### Options and Details



#### Modules



### Optics & Styles



\*SN optic is only available in 6ft modules

#### Housing

Precision formed 20 gauge cold-rolled steel.

#### Weight

Maximum 3.0lb/ft.

#### Optical System

A low-profile light guide panel is edge lit by an LED array. The light guide couples and transmits the light via total internal reflection, then the etched surface of the panel optimizes the light extraction to create a semi-indirect (suspended) or direct/indirect (wall) distribution. Light is purified and controlled by MesoOptics film as it passes through the nonglare acrylic lens.

#### Standard Driver

Dimming: 0-10V, 5-100%. Output is Class 2 rated. 347V option uses a step-down transformer (only available in 8ft module).

#### Lumen Maintenance

At an ambient temperature of 25°C, the LED lumen maintenance expectation is  $L_{80}$  (12k) 70,000 hrs.

#### Standard Driver

Dimming: 0-10V, 5-100%. Output is Class 2 rated. 347V option uses a step-down transformer (only available in 8ft module).

#### Lumen Maintenance

At an ambient temperature of 25°C, the LED lumen maintenance expectation is  $L_{80}$  (12k) 70,000 hrs.

#### Mounting

**Suspended:** tamper-resistant aircraft cable grippers provide infinite vertical adjustment capability. Aircraft cable, crimp and cable gripper are independently tested to meet stringent safety requirements.

**Wall:** Steel mounting brackets provided, spaced 4ft on center; fixture held 3/4" from wall.

#### Joints

Self-aligning joining system with hands-free pre-joining wire access.

#### Endcaps

Diecast aluminum endcaps, available in flat (standard) or edge sculpted.

#### Electrical

Factory pre-wired to section ends with quick-wire connectors.

#### Approvals

Certified to UL, CSA and IES standards.

#### Finish

High quality powder coated, available in matte white, black or titanium silver. Other factory and custom colors available on request.

#### Environment

Rated for dry or damp locations in operating ambient temperatures 0-40°C (32-104°F). Certain luminaire components may be adversely affected by contaminants. Damage caused by sulfur, chlorine, petroleum based solutions or other contaminants are not covered under warranty.

Due to continuing product improvements, Philips Ledalite reserves the right to change the specifications without notice.



©2014 Koninklijke Philips N.V. All rights reserved.  
Specifications are subject to change without notice.  
[www.philips.com/luminaires](http://www.philips.com/luminaires)

ChopWallAsy\_30K28Im\_xN 05.17 page 3 of 3

Philips Lighting  
North America Corporation  
200 Franklin Square Drive  
Somerset, NJ 08873  
Phone: 855-486-2216

Philips Lighting Company  
281 Hillmount Road  
Markham ON, Canada L6C  
2S3  
Phone: 800-668-9008