

Chopstick™

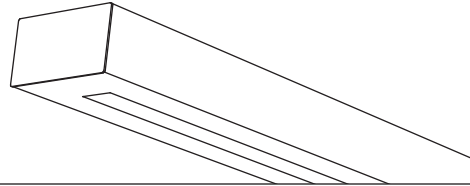


Project Name

Spec Type

Notes

Wall
 Direct/Indirect
 1 T5HO



Order Guide

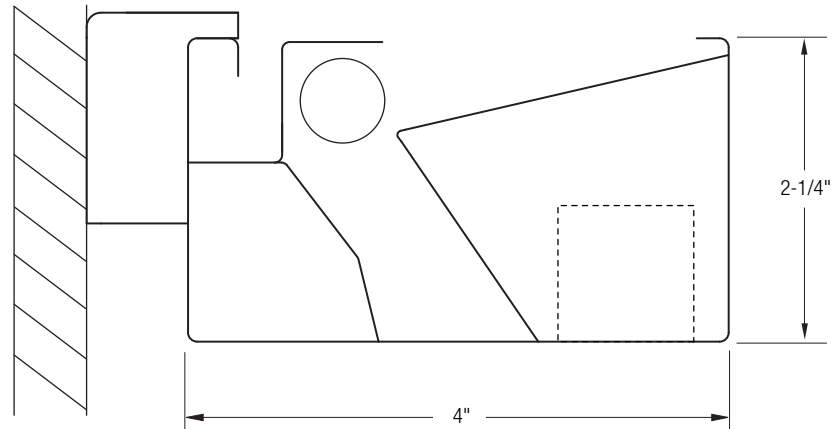
Some combinations of product options may not be available. Consult factory for assistance with your specification.

7508	H01			-		-		-		-	
Product Series & Type Chopstick Wall	Lamping 1 T5HO	Lower Optics Q MesoOptics® Lens	Upper Optics N None	Run Length <i>Enter the total run length in feet (4ft increments)</i>	Wiring 1 1 cct 3 1 cct w/ Emergency cct 5 1 cct w/ Battery Pack 7 1 cct Dimming	Voltage 1 120V 2 277V 3 347V	Ballast E Standard Ballast	Color & Finish W Standard White C Factory Color X Custom Color			
				See details on reverse	Consult website for complete list of standard wiring options		Consult website for ballast manufacturer information	Consult website for color and finish options			

Upgrades & Accessories

Please indicate with check mark.

<input type="checkbox"/> Lamps Included	<input type="checkbox"/> Lamps Included and Installed
---	---

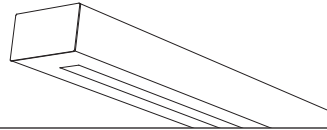


Chopstick™

Wall

Direct/Indirect

1 T5HO



Photometry Optics QN MesoOptics® Lens

Report Summary

Report # 9901108
Filename 7508H01QN.ies
Efficiency 69.2%

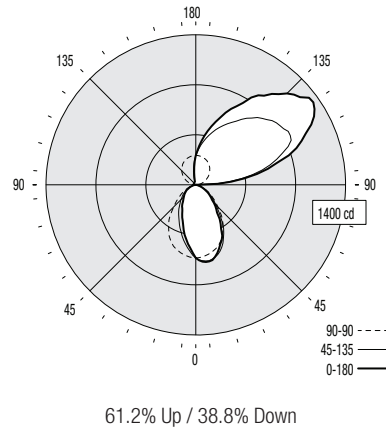
Peak Candela Value* 1342 @ 125°
Peak to Zenith Ratio* 4.9 : 1

* Between 90-180° vertical angle

Meets RP-1-04 recommendations for VDT-Intensive spaces

Candela Distribution

Vertical Angle	Horizontal Angle					Zonal Lumens
	0	22.5	45	67.5	90	
0	683	683	683	683	683	
5	720	711	676	623	592	37
15	696	699	637	494	437	147
25	573	601	563	369	301	218
35	389	436	442	276	219	233
45	240	266	291	196	157	200
55	149	161	180	134	116	152
65	76	82	97	80	70	98
75	19	19	38	32	29	45
85	0	0	2	4	3	7
90	0	0	0	0	0	
95	333	303	26	15	19	80
105	782	720	61	16	21	285
115	1135	984	102	17	21	396
125	1342	962	146	19	22	414
135	1206	877	185	22	23	348
145	1020	746	218	24	25	258
155	782	611	247	27	27	169
165	564	479	263	59	32	94
175	364	339	273	200	167	40
180	274	274	274	274	274	



Coefficients of Utilization (%)

Ceiling: Wall:	80			70			50			0
	70	50	30	70	50	30	50	30	10	0
0 RCR	72	72	72	72	65	65	65	52	52	24
1	66	63	61	58	59	57	55	46	45	21
2	60	56	52	48	54	50	47	41	39	18
3	55	49	44	41	50	45	41	36	34	16
4	51	44	39	35	46	40	35	33	29	14
5	47	39	34	30	42	36	31	29	26	13
6	43	35	30	26	39	32	28	26	23	11
7	40	32	27	23	36	29	25	24	21	10
8	37	29	24	20	33	26	22	22	19	9
9	34	26	21	18	31	24	20	20	17	8
10	32	24	19	16	29	22	18	19	15	8

Based on a floor reflectance of 0.2

Avg. Luminance (cd/m²)

Vertical Angle	Horizontal Angle		
	0	45	90
55	6988	8442	5440
65	4837	6174	4456
75	1975	3949	3014
85	0	617	926

IES files for this and other photometric options can be downloaded online at www.ledalite.com

Additional Information

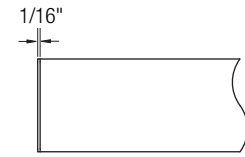
Modules

Module length excludes endcaps.

Module	Nominal Length
4ft	4' 0"
8ft	8' 0"

Refer to installation instructions for exact mount spacing

Endcap



Mounting Hardware

- Mounts variable within 2"-5" of end or joint. On 8ft module, additional mount to be located within 2"-5" of center of module.
- Maximum distance between mounts is 48". **Note:** Fixture is flush with wall.
- Side-mounted 4" x 2-1/2" utility box (supplied by others).

Specifications

Due to continuing product improvements, Ledalite reserves the right to change specifications without notice.

Housing

Die-formed 20 gauge cold-rolled steel.

Weight

3.5 lb/ft.

Optical System

High efficiency optical system providing an optimal asymmetric direct/indirect distribution. Lower optics consist of flat acrylic panels with a layer of MesoOptics® film that provides a controlled distribution in the lower hemisphere. Upper optics consist of high performance Miro IV® specular reflectors that provide a wide-spread batwing to evenly illuminate the ceiling.

Endcaps

Flat die-cast endcaps.

Joints

Self-aligning joining system with hands-free pre-joining wire access.

Mounting

Fixture is mounted 3/4" off the wall by means of individual brackets.

Electrical

Factory pre-wired to section ends with quick-wire connectors.

Ballast

Electronic.

Approvals

Certified to UL and CSA standards.

Finish

High-quality powder coat. Available in Ledalite Standard White (textured matte finish), and a selection of other factory and customer-specified colors. Consult factory for details.