

Minimalist scale, unequaled performance that delivers

CHOPSTICK SUSPENDED LED



SEMI-INDIRECT, MESOOPTICS LENS
4800 lm/4ft 4000K

Project: _____

Spec Type: _____

Catalog No: 7505LACxN _____

Qty _____

Line Notes: _____

Ordering guide



Product Type	Source	Color Temp *	Lumens *	Lower Optics	Upper Optics	Run Length	Wiring †	Voltage ‡	Driver ‡	Finish
<input type="text" value="7505"/>	<input type="text" value="L"/>	<input type="text" value="A"/>	<input type="text" value="C"/>	<input type="text"/>	<input type="text" value="N"/>	<input type="text"/>	<input type="text"/>	<input type="text"/>	<input type="text"/>	<input type="text"/>
Chopstick Susp Semi-Indirect	L LED	A 4000K B 3500K C 3000K	E 3400 lm/4ft C 4800 lm/4ft	S MesoOptics Q Lens MesoOptics Lens	N Lightguide	04 4' 06 6' 08 8' Total run length (2' increments)	1 1 cct 3 1 cct + EM/NL Wiring 5 1 cct + EM Batt. Pack 7 1 cct Dimming B 2 cct A/B E 2 cct A/B Dimming M 1 cct Dimming + EM Wiring N 1 cct Dimming + EM Batt. Pack	1 120V 2 277V 3 347V	E Philips Advance	W Standard White T Titanium Silver B Black C Custom

* Nominal values within a range. Consult photometry data for exact color temp, lumens & distribution.
 † Not all wiring types are available with all configurations. Consult Philips Ledalite for a complete list of available options.
 ‡ 347 only available in 8ft modules. Driver details on following pages.

Mounting Hardware

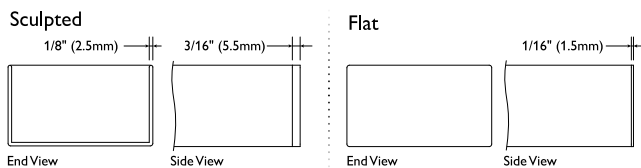
Mount Type
Consult separate mounting spec sheet for mount type options

Suspension Length
Distance from ceiling to top of luminaire in inches

Endcaps -

Integrated Controls Please indicate with check mark.

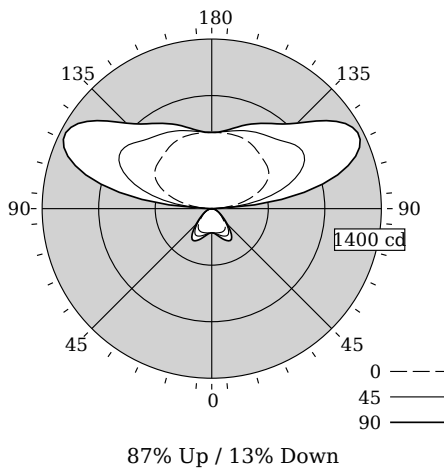
Response Daylight Single Zone (DS)



CHOPSTICK SUSPENDED LED

SEMI-INDIRECT, MESOOPTICS LENS

Photometry



LED lighting facts
A Program of the U.S. DOE

Light Output (Lumens) 4871
Watts 46.7
Lumens per Watt (Efficacy) 104

Color Accuracy 82
Color Rendering Index (CRI)

Light Color 3927 (Bright White)
Correlated Color Temperature (CCT)

Warm White Bright White Daylight
2700K 3000K 4500K 6500K

Warranty Yes**

All results, except LED Lumen Maintenance, are according to IESNA LM-79-2008: Approved Method for the Electrical and Photometric Testing of Solid-State Lighting. The U.S. Department of Energy (DOE) verifies product test data and results.

** See www.lightingfacts.com/products for details.

Registration Number: F46Z-HPOE05 (3/20/2014)
Model Number: 7505LACxx04
Type: Luminaire - Linear

Total Output	4871 lm
Efficacy	104.3 lm/W
CCT	3927K
CRI	82
Distribution	87% Up / 13% Down
Peak/Zenith Ratio	2.16
Peak Output	1359 cd @ 118°
Meets RP-1-12 recommendations for VDT-Critical spaces	

Values per 4ft unit

Fixture photometry has been conducted in accordance with IESNA LM-79-08

IES files for this and other photometric options can be downloaded online at www.lightingproducts.philips.com

Candela Distribution

Vertical Angle	Horizontal Angle					Zonal Lumens
	0	22.5	45	67.5	90	
0	199	199	199	199	199	0
5	202	199	202	204	204	20
15	206	209	223	236	239	64
25	211	221	250	280	290	115
35	194	208	243	276	287	149
45	140	146	163	177	182	125
55	88	89	96	100	100	86
65	52	54	57	57	57	55
75	23	25	25	25	27	28
85	4	6	7	7	8	8
90	0	0	0	0	0	0
95	99	120	185	298	355	226
105	325	393	590	909	1076	674
115	492	587	833	1174	1352	861
125	568	662	880	1130	1256	799
135	590	653	797	937	998	620
145	617	653	747	827	858	466
155	635	655	707	754	771	326
165	635	642	665	682	687	188
175	631	628	633	635	633	61
180	629	629	629	629	629	0

Coefficients of Utilization (%)

RCR	Ceiling: Wall:									
	70	80	10	70	50	30	50	30	10	0
0	98	98	98	86	86	86	63	63	63	13
1	90	86	82	79	78	75	72	55	53	52
2	82	75	69	64	71	66	61	48	45	43
3	75	66	59	54	65	58	52	43	39	36
4	68	58	51	45	59	51	45	38	34	31
5	62	52	44	38	54	45	39	34	29	26
6	57	46	38	33	50	41	34	30	26	23
7	53	41	34	29	46	36	30	27	23	20
8	49	37	30	25	42	33	27	25	20	17
9	45	34	27	22	39	30	24	22	18	15
10	42	31	24	19	37	27	21	20	16	14

Avg. Luminance (cd/m2)

Vertical Angle	Horizontal Angle		
	0	45	90
55	4488	4922	5139
65	3635	3930	3930
75	2567	2887	3048
85	1429	2382	2858

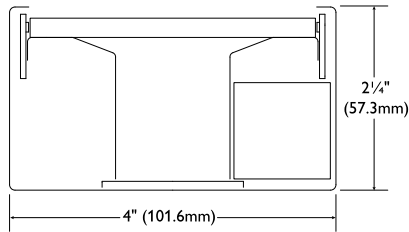
Electrical Specifications

Input Voltage	120V	277V
Input Power	46.7W	46.1W
Input Current	0.39A	0.18A
Power Factor	0.988	0.930
Total Harm. Distortion	13.2%	18.9%
0		

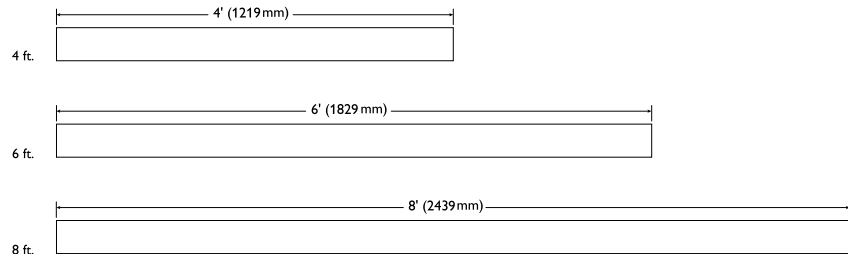
CHOPSTICK SUSPENDED LED

SEMI-INDIRECT, MESOOPTICS LENS

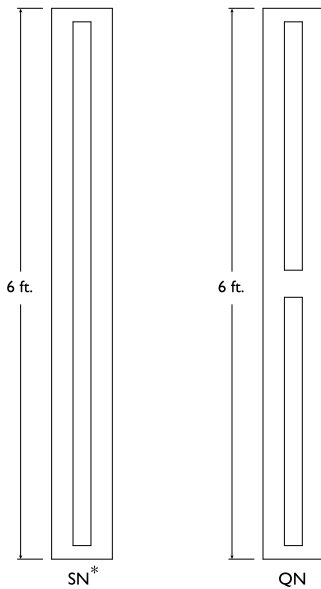
Options and Details



Modules



Optics & Styles



*SN optic is only available in 6ft modules

Housing

Precision formed 20 gauge cold-rolled steel.

Weight

Maximum 3.0lb/ft.

Optical System

A low-profile light guide panel is edge lit by an LED array. The light guide couples and transmits the light via total internal reflection, then the etched surface of the panel optimizes the light extraction to create a semi-indirect (suspended) or direct/indirect (wall) distribution. Light is purified and controlled by MesoOptics film as it passes through the nonglare acrylic lens.

Standard Driver

Dimming: 0-10V, 5-100%. Output is Class 2 rated. 347V option uses a step-down transformer (only available in 8ft module).

Lumen Maintenance

At an ambient temperature of 25°C, the LED lumen maintenance expectation is L_{80} (12k) 70,000 hrs.

Standard Driver

Dimming: 0-10V, 5-100%. Output is Class 2 rated. 347V option uses a step-down transformer (only available in 8ft module).

Lumen Maintenance

At an ambient temperature of 25°C, the LED lumen maintenance expectation is L_{80} (12k) 70,000 hrs.

Mounting

Suspended: tamper-resistant aircraft cable grippers provide infinite vertical adjustment capability. Aircraft cable, crimp and cable gripper are independently tested to meet stringent safety requirements.

Wall: Steel mounting brackets provided, spaced 4ft on center; fixture held 3/4" from wall.

Joints

Self-aligning joining system with hands-free pre-joining wire access.

Endcaps

Diecast aluminum endcaps, available in flat (standard) or edge sculpted.

Electrical

Factory pre-wired to section ends with quick-wire connectors.

Approvals

Certified to UL, CSA and IES standards.

Finish

High quality powder coated, available in matte white, black or titanium silver. Other factory and custom colors available on request.

Environment

Rated for dry or damp locations in operating ambient temperatures 0-40°C (32-104°F). Certain luminaire components may be adversely affected by contaminants. Damage caused by sulfur, chlorine, petroleum based solutions or other contaminants are not covered under warranty.

Due to continuing product improvements, Philips Ledalite reserves the right to change the specifications without notice.



©2014 Koninklijke Philips N.V. All rights reserved.
Specifications are subject to change without notice.
www.philips.com/luminaires

ChopSusp_40K48lm_xN 05.17 page 3 of 3

Philips Lighting
North America Corporation
200 Franklin Square Drive
Somerset, NJ 08873
Phone: 855-486-2216

Philips Lighting Company
281 Hillmount Road
Markham ON, Canada L6C
2S3
Phone: 800-668-9008