

Minimalist scale, unequaled performance that delivers

CHOPSTICK SUSPENDED LED



SEMI-INDIRECT, MESOOPTICS LENS
3400 lm/4ft 4000K

Project: _____

Spec Type: _____

Catalog No: 7505LAE_xN _____

Qty _____

Line Notes: _____



Ordering guide

Product Type	Source	Color Temp *	Lumens *	Lower Optics	Upper Optics	Run Length	Wiring †	Voltage ‡	Driver ‡	Finish
<input type="text" value="7505"/>	<input type="text" value="L"/>	<input type="text" value="A"/>	<input type="text" value="E"/>	<input type="text"/>	<input type="text" value="N"/>	<input type="text"/>	<input type="text"/>	<input type="text"/>	<input type="text"/>	<input type="text"/>
Chopstick Susp Semi-Indirect	L LED	A 4000K B 3500K C 3000K	E 3400 lm/4ft C 4800 lm/4ft	S MesoOptics Q Lens MesoOptics Lens	N Lightguide	04 4' 06 6' 08 8' Total run length (2' increments)	1 1 cct 3 1 cct + EM/NL Wiring 5 1 cct + EM Batt. Pack 7 1 cct Dimming B 2 cct A/B E 2 cct A/B Dimming M 1 cct Dimming + EM Wiring N 1 cct Dimming + EM Batt. Pack	1 120V 2 277V 3 347V	E Philips Advance	W Standard White T Titanium Silver B Black C Custom

* Nominal values within a range. Consult photometry data for exact color temp, lumens & distribution.
 † Not all wiring types are available with all configurations. Consult Philips Ledalite for a complete list of available options.
 ‡ 347 only available in 8ft modules. Driver details on following pages.

Mounting Hardware

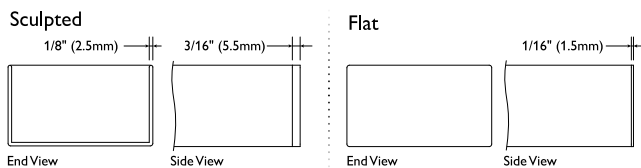
Mount Type
Consult separate mounting spec sheet for mount type options

Suspension Length
Distance from ceiling to top of luminaire in inches

Endcaps -

Integrated Controls Please indicate with check mark.

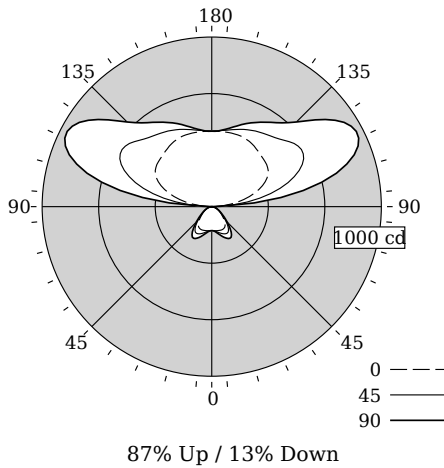
Response Daylight Single Zone (DS)



CHOPSTICK SUSPENDED LED

SEMI-INDIRECT, MESOOPTICS LENS

Photometry



LED lighting facts
A Program of the U.S. DOE

Light Output (Lumens) 3445
Watts 31.9
Lumens per Watt (Efficacy) 108

Color Accuracy
Color Rendering Index (CRI) 82

Light Color
Correlated Color Temperature (CCT) 3916 (Bright White)

Warm White Bright White Daylight
2700K 3000K 4500K 6500K

Warranty** Yes

All results, except LED Lumen Maintenance, are according to IESNA LM-79-2008 Approved Method for the Electrical and Photometric Testing of Solid-State Lighting. The U.S. Department of Energy (DOE) verifies product test data and results.

** See www.lightingfacts.com/products for details.

Registration Number: F46Z-C1U2UD (4/9/2014)
Model Number: 7505LAE004
Type: Luminaire - Linear

Total Output	3445 lm
Efficacy	108.0 lm/W
CCT	3916K
CRI	82
Distribution	87% Up / 13% Down
Peak/Zenith Ratio	2.16
Peak Output	961 cd @ 118°
Meets RP-1-12 recommendations for VDT-Critical spaces	

Values per 4ft unit

Fixture photometry has been conducted in accordance with IESNA LM-79-08

IES files for this and other photometric options can be downloaded online at www.lightingproducts.philips.com

Candela Distribution

Vertical Angle	Horizontal Angle				Zonal Lumens
	0	22.5	45	67.5	
0	141	141	141	141	0
5	143	141	143	144	14
15	146	148	158	167	45
25	149	156	177	198	82
35	137	147	172	195	105
45	99	103	115	125	88
55	62	63	68	71	61
65	37	38	40	40	39
75	16	18	18	19	19
85	3	4	5	5	6
90	0	0	0	0	0
95	70	85	131	211	251
105	230	278	417	643	761
115	348	415	589	830	956
125	402	468	622	799	888
135	417	462	564	663	706
145	436	462	528	585	607
155	449	463	500	533	545
165	449	454	470	482	486
175	446	444	448	449	448
180	445	445	445	445	0

Coefficients of Utilization (%)

RCR	Ceiling: Walk									
	70	80	10	70	50	30	50	30	10	0
0	98	98	98	98	86	86	86	63	63	63
1	90	86	82	79	78	75	72	55	53	52
2	82	75	69	64	71	66	61	48	45	43
3	75	66	59	54	65	58	52	43	39	36
4	68	58	51	45	59	51	45	38	34	31
5	62	52	44	38	54	45	39	34	29	26
6	57	46	38	33	50	41	34	30	26	23
7	53	41	34	29	46	36	30	27	23	20
8	49	37	30	25	42	33	27	25	20	17
9	45	34	27	22	39	30	24	22	18	15
10	42	31	24	19	37	27	21	20	16	14

Avg. Luminance (cd/m2)

Vertical Angle	Horizontal Angle		
	0	45	90
55	3174	3481	3635
65	2571	2779	2779
75	1815	2042	2156
85	1011	1684	2021

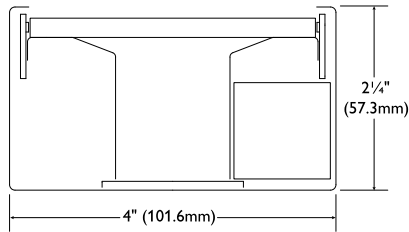
Electrical Specifications

Input Voltage	120V	277V
Input Power	31.9W	31.8W
Input Current	0.27A	0.13A
Power Factor	0.985	0.887
Total Harm. Distortion	15.7%	20.2%
0		

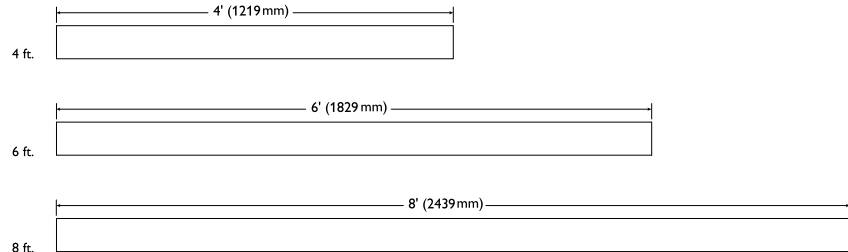
CHOPSTICK SUSPENDED LED

SEMI-INDIRECT, MESOOPTICS LENS

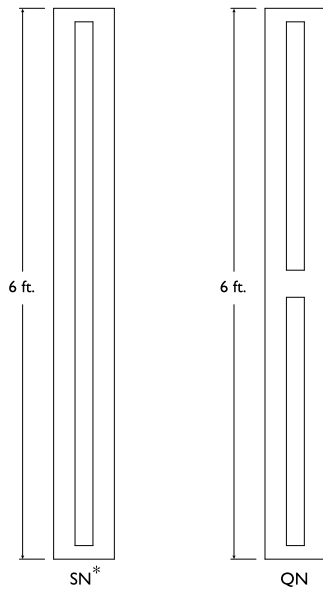
Options and Details



Modules



Optics & Styles



*SN optic is only available in 6ft modules

Housing

Precision formed 20 gauge cold-rolled steel.

Weight

Maximum 3.0lb/ft.

Optical System

A low-profile light guide panel is edge lit by an LED array. The light guide couples and transmits the light via total internal reflection, then the etched surface of the panel optimizes the light extraction to create a semi-indirect (suspended) or direct/indirect (wall) distribution. Light is purified and controlled by MesoOptics film as it passes through the nonglare acrylic lens.

Standard Driver

Dimming: 0-10V, 5-100%. Output is Class 2 rated. 347V option uses a step-down transformer (only available in 8ft module).

Lumen Maintenance

At an ambient temperature of 25°C, the LED lumen maintenance expectation is L_{80} (12k) 70,000 hrs.

Standard Driver

Dimming: 0-10V, 5-100%. Output is Class 2 rated. 347V option uses a step-down transformer (only available in 8ft module).

Lumen Maintenance

At an ambient temperature of 25°C, the LED lumen maintenance expectation is L_{80} (12k) 70,000 hrs.

Mounting

Suspended: tamper-resistant aircraft cable grippers provide infinite vertical adjustment capability. Aircraft cable, crimp and cable gripper are independently tested to meet stringent safety requirements.

Wall: Steel mounting brackets provided, spaced 4ft on center; fixture held 3/4" from wall.

Joints

Self-aligning joining system with hands-free pre-joining wire access.

Endcaps

Diecast aluminum endcaps, available in flat (standard) or edge sculpted.

Electrical

Factory pre-wired to section ends with quick-wire connectors.

Approvals

Certified to UL, CSA and IES standards.

Finish

High quality powder coated, available in matte white, black or titanium silver. Other factory and custom colors available on request.

Environment

Rated for dry or damp locations in operating ambient temperatures 0-40°C (32-104°F). Certain luminaire components may be adversely affected by contaminants. Damage caused by sulfur, chlorine, petroleum based solutions or other contaminants are not covered under warranty.

Due to continuing product improvements, Philips Ledalite reserves the right to change the specifications without notice.



©2014 Koninklijke Philips N.V. All rights reserved.
Specifications are subject to change without notice.
www.philips.com/luminaires

ChopSusp_40K34lm_xN 05.17 page 3 of 3

Philips Lighting
North America Corporation
200 Franklin Square Drive
Somerset, NJ 08873
Phone: 855-486-2216

Philips Lighting Company
281 Hillmount Road
Markham ON, Canada L6C
2S3
Phone: 800-668-9008