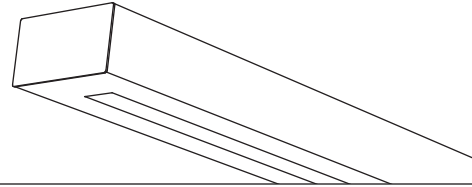


# Chopstick™



Suspended  
Semi-Indirect  
3 T5HO



Project Name

Spec Type

Notes

## Order Guide

Some combinations of product options may not be available. Consult factory for assistance with your specification.

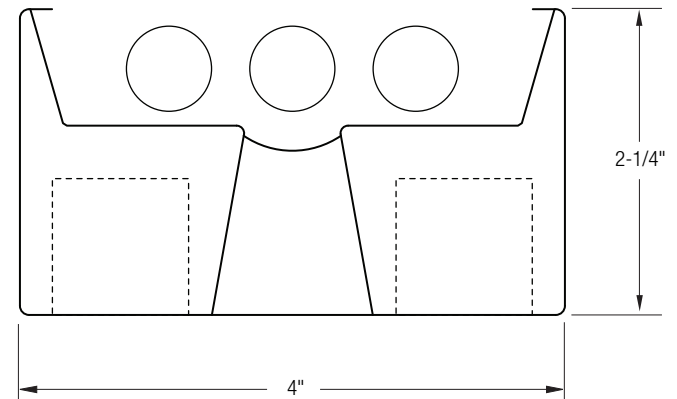
<b>7505</b>	<b>H03</b>	<input type="text"/>	<input type="text"/>	-	<input type="text"/>	-	<input type="text"/>	-	<input type="text"/>	-	<input type="text"/>
Product Series & Type Chopstick Semi-Indirect	Lamping 3 T5HO	Lower Optics <b>Q</b> MesoOptics® Lens	Upper Optics <b>N</b> None	Run Length <i>Enter the total run length in feet (4ft increments)</i>	Wiring <b>1</b> 1 cct <b>2</b> 2 cct <b>3</b> 1 cct w/ Emergency cct <b>4</b> 2 cct w/ Emergency cct <b>5</b> 1 cct w/ Battery Pack <b>6</b> 2 cct w/ Battery Pack <b>7</b> 1 cct Dimming	Voltage <b>1</b> 120V <b>2</b> 277V <b>3</b> 347V	Ballast <b>E</b> Standard Ballast  Consult website for ballast manufacturer information	Color & Finish <b>W</b> Standard White <b>C</b> Factory Color <b>X</b> Custom Color  Consult website for color and finish options			
		See details on reverse	See details on reverse	See details on reverse	Consult website for complete list of standard wiring options	<b>Mounting Hardware</b> <input type="text"/> <input type="text"/> <b>Mount Type</b> <input type="text"/> <b>Suspension Length</b> Consult separate mounting spec sheet for mount type options <i>Enter distance from ceiling to top of fixture in inches</i>					

## Upgrades & Accessories

Please indicate with check mark.

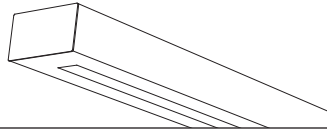
Lamps Included  Lamps Included and Installed

Response Daylight (Integrated Controls)  
For details visit [www.ledalite.com/response](http://www.ledalite.com/response)



# Chopstick™

Suspended  
Semi-Indirect  
3 T5HO



Photometry Optics QN MesoOptics® Lens

## Report Summary

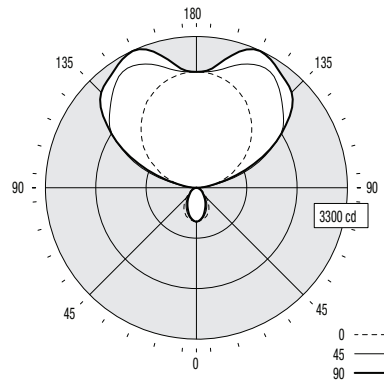
Report # 9901105  
Filename 7505H03QN.ies  
Efficiency 83%

Peak Candela Value\* 3293 @ 155°  
Peak to Zenith Ratio\* 1.3 : 1  
\* Between 90-180° vertical angle

Meets RP-1-04 recommendations for VDT-Intensive spaces

## Candela Distribution

Vertical Angle	Horizontal Angle					Zonal Lumens
	0	22.5	45	67.5	90	
0	741	741	741	741	741	
5	731	732	726	724	719	70
15	687	679	641	629	609	181
25	599	578	516	486	459	243
35	470	453	388	353	328	248
45	314	305	253	235	217	204
55	199	195	168	160	151	156
65	114	112	96	94	88	100
75	48	44	37	38	34	44
85	6	2	2	3	1	6
90	0	0	0	0	0	
95	165	129	182	126	165	184
105	549	862	844	621	706	785
115	938	1467	1661	1565	1593	1466
125	1346	1944	2315	2294	2384	1878
135	1708	2305	2643	2828	2942	1944
145	2016	2464	2961	3040	3129	1727
155	2265	2501	2968	3230	3293	1322
165	2436	2502	2725	2985	2989	778
175	2520	2521	2539	2586	2562	250
180	2528	2528	2528	2528	2528	



88.3% Up / 11.7% Down

## Coefficients of Utilization (%)

Ceiling: Walk:	80			70			50			0	
	70	50	30	70	50	30	50	30	10		
0 RCR	81	81	81	81	70	70	70	51	51	51	8
1	74	70	67	65	64	61	59	44	43	42	7
2	67	61	57	53	58	54	50	39	37	34	6
3	61	54	48	44	53	47	43	34	31	29	6
4	56	48	42	37	48	42	37	30	27	25	5
5	51	42	36	32	44	37	32	27	24	21	4
6	47	38	32	27	41	33	28	24	21	18	4
7	43	34	28	23	38	30	25	22	18	16	3
8	40	31	25	21	35	27	22	20	16	14	3
9	37	28	22	18	32	24	19	18	15	12	3
10	34	25	20	16	30	22	17	16	13	11	2

Based on a floor reflectance of 0.2

## Avg. Luminance (cd/m<sup>2</sup>)

Vertical Angle	Horizontal Angle		
	0	45	90
55	9333	7879	7082
65	7256	6110	5601
75	4989	3846	3534
85	1852	617	309

IES files for this and other photometric options can be downloaded online at [www.ledalite.com](http://www.ledalite.com)

## Additional Information

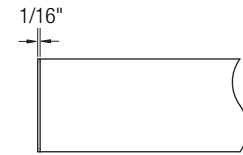
### Modules

Module length excludes endcaps.  
Nominal mount spacing for individually mounted modules.

Module	Mount Spacing*
4ft	4' 0"
8ft	8' 0"

\* Refer to installation instructions for exact mount spacing

### Endcap



## Specifications

Due to continuing product improvements, Ledalite reserves the right to change specifications without notice.

### Housing

Die-formed 20 gauge cold-rolled steel.

### Weight

3.0 lb/ft.

### Optical System

High efficiency optical system providing an optimal semi-indirect distribution. Lower optics consist of flat acrylic panels with a layer of MesoOptics® film that provides a controlled distribution in the lower hemisphere. Upper optics consist of high performance Miro IV® specular reflectors that provide a wide-spread batwing to evenly illuminate the ceiling.

### Endcaps

Flat die-cast endcaps.

### Joints

Self-aligning joining system with hands-free pre-joining wire access.

### Mounting

Aircraft cable gripper is tamper-resistant and provides infinite vertical adjustment capability. Aircraft cable, crimp and cable gripper independently tested to meet stringent safety requirements.

### Electrical

Factory pre-wired to section ends with quick-wire connectors.

### Ballast

Electronic.

### Approvals

Certified to UL and CSA standards.

### Finish

High-quality powder coat. Available in Ledalite Standard White (textured matte finish), and a selection of other factory and customer-specified colors. Consult factory for details.