

# Minimalist scale, unequaled performance that delivers

## CHOPSTICK SUSPENDED LED



SEMI-INDIRECT, MESOOPTICS LENS  
3400 lm/4ft 3500K

**Project:** \_\_\_\_\_

**Spec Type:** \_\_\_\_\_

**Catalog No:** 7505LBExN \_\_\_\_\_

**Qty** \_\_\_\_\_

**Line Notes:** \_\_\_\_\_

### Ordering guide



Product Type	Source	Color Temp *	Lumens *	Lower Optics	Upper Optics	Run Length	Wiring †	Voltage ‡	Driver ‡	Finish
<input type="text" value="7505"/>	<input type="text" value="L"/>	<input type="text" value="B"/>	<input type="text" value="E"/>	<input type="text"/>	<input type="text" value="N"/>	<input type="text"/>	<input type="text"/>	<input type="text"/>	<input type="text"/>	<input type="text"/>
Chopstick Susp Semi-Indirect	L LED	A 4000K B 3500K C 3000K	E 3400 lm/4ft C 4800 lm/4ft	S MesoOptics Q Lens MesoOptics Lens	N Lightguide	04 4' 06 6' 08 8' Total run length (2' increments)	1 1 cct 3 1 cct + EM/NL Wiring 5 1 cct + EM Batt. Pack 7 1 cct Dimming B 2 cct A/B E 2 cct A/B Dimming M 1 cct Dimming + EM Wiring N 1 cct Dimming + EM Batt. Pack	1 120V 2 277V 3 347V	E Philips Advance	W Standard White T Titanium Silver B Black C Custom

\* Nominal values within a range. Consult photometry data for exact color temp, lumens & distribution.  
 † Not all wiring types are available with all configurations. Consult Philips Ledalite for a complete list of available options.  
 ‡ 347 only available in 8ft modules. Driver details on following pages.

### Mounting Hardware

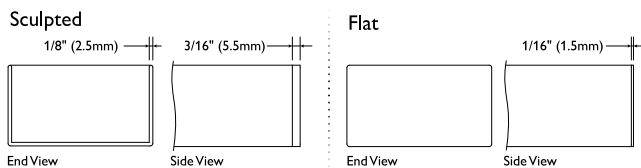
Mount Type  
Consult separate mounting spec sheet for mount type options

Suspension Length  
Distance from ceiling to top of luminaire in inches

Endcaps -

**Integrated Controls** Please indicate with check mark.

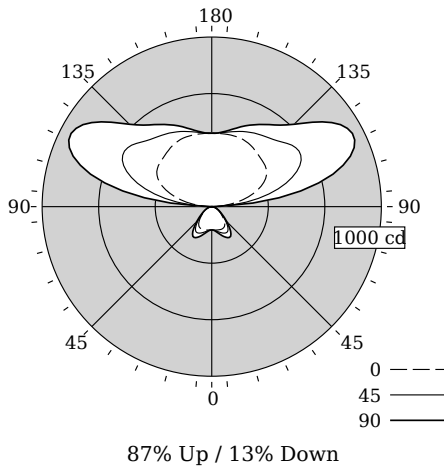
Response Daylight Single Zone (DS)



# CHOPSTICK SUSPENDED LED

SEMI-INDIRECT, MESOOPTICS LENS

## Photometry



**LED lighting facts**  
A Program of the U.S. DOE

**Light Output (Lumens)** 3352  
**Watts** 31.8  
**Lumens per Watt (Efficacy)** 105

**Color Accuracy**  
Color Rendering Index (CRI) 83

**Light Color**  
Correlated Color Temperature (CCT) 3402 (Bright White)

Warm White | Bright White | Daylight  
2700K | 3000K | 4500K | 6500K

**Warranty\*\*** Yes

All results, except LED Lumen Maintenance, are according to IESNA LM-79-2008 Approved Method for the Electrical and Photometric Testing of Solid-State Lighting. The U.S. Department of Energy (DOE) verifies product test data and results.

\*\* See [www.lightingfacts.com/products](http://www.lightingfacts.com/products) for details.

Registration Number: F46Z-LZC10F (3/20/2014)  
Model Number: 7505LBE004  
Type: Luminaire - Linear

Total Output	3352 lm
Efficacy	105.4 lm/W
CCT	3402K
CRI	83
Distribution	87% Up / 13% Down
Peak/Zenith Ratio	2.16
Peak Output	935 cd @ 118°
Meets RP-1-12 recommendations for VDT-Critical spaces	

Values per 4ft unit

Fixture photometry has been conducted in accordance with IESNA LM-79-08

IES files for this and other photometric options can be downloaded online at [www.lightingproducts.philips.com](http://www.lightingproducts.philips.com)

## Candela Distribution

Vertical Angle	Horizontal Angle				Zonal Lumens
	0	22.5	45	67.5	
0	137	137	137	137	0
5	139	137	139	140	13
15	142	144	154	162	44
25	145	152	172	193	79
35	133	143	167	190	102
45	96	100	112	122	86
55	60	61	66	69	59
65	36	37	39	39	38
75	16	18	18	18	19
85	3	4	5	5	5
90	0	0	0	0	0
95	68	83	127	205	244
105	224	270	406	626	740
115	339	404	573	808	930
125	391	455	605	777	864
135	406	450	549	645	687
145	424	450	514	569	591
155	437	450	487	519	530
165	437	442	457	469	473
175	434	432	436	437	436
180	433	433	433	433	0

## Coefficients of Utilization (%)

RCR	Ceiling		Wall		0	
	70	80	70	80	50	30
0	98	98	98	98	86	86
1	90	86	82	79	78	75
2	82	75	69	64	71	66
3	75	66	59	54	65	58
4	68	58	51	45	59	51
5	62	52	44	38	54	45
6	57	46	38	33	50	41
7	53	41	34	29	46	36
8	49	37	30	25	42	33
9	45	34	27	22	39	30
10	42	31	24	19	37	27

## Avg. Luminance (cd/m2)

Vertical Angle	Horizontal Angle		
	0	45	90
55	3088	3387	3536
65	2501	2704	2704
75	1766	1987	2097
85	983	1639	1967

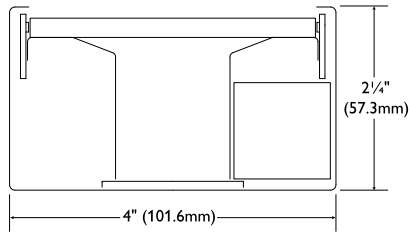
## Electrical Specifications

Input Voltage	120V	277V
Input Power	31.8W	31.7W
Input Current	0.27A	0.13A
Power Factor	0.985	0.887
Total Harm. Distortion	15.7%	20.2%
0		

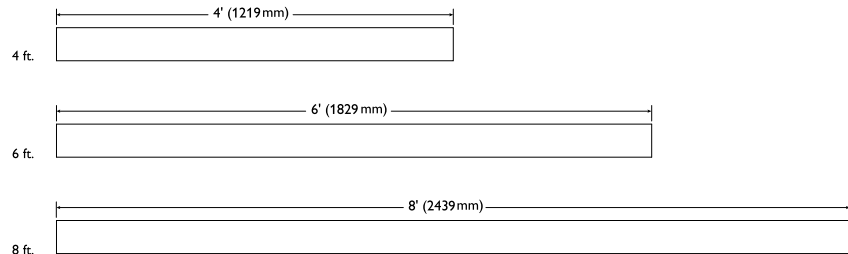
# CHOPSTICK SUSPENDED LED

SEMI-INDIRECT, MESOOPTICS LENS

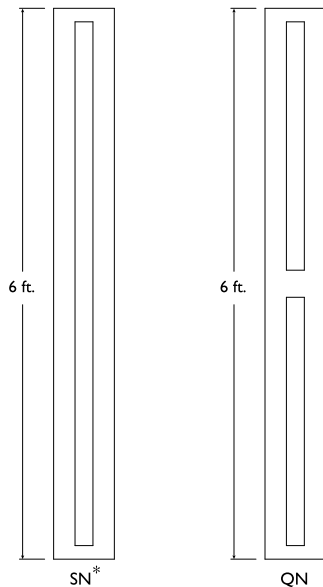
## Options and Details



### Modules



## Optics & Styles



\*SN optic is only available in 6ft modules

### Housing

Precision formed 20 gauge cold-rolled steel.

### Weight

Maximum 3.0lb/ft.

### Optical System

A low-profile light guide panel is edge lit by an LED array. The light guide couples and transmits the light via total internal reflection, then the etched surface of the panel optimizes the light extraction to create a semi-indirect (suspended) or direct/indirect (wall) distribution. Light is purified and controlled by MesoOptics film as it passes through the nonglare acrylic lens.

### Standard Driver

Dimming: 0-10V, 5-100%. Output is Class 2 rated. 347V option uses a step-down transformer (only available in 8ft module).

### Lumen Maintenance

At an ambient temperature of 25°C, the LED lumen maintenance expectation is  $L_{80}$  (12k) 70,000 hrs.

### Standard Driver

Dimming: 0-10V, 5-100%. Output is Class 2 rated. 347V option uses a step-down transformer (only available in 8ft module).

### Lumen Maintenance

At an ambient temperature of 25°C, the LED lumen maintenance expectation is  $L_{80}$  (12k) 70,000 hrs.

### Mounting

**Suspended:** tamper-resistant aircraft cable grippers provide infinite vertical adjustment capability. Aircraft cable, crimp and cable gripper are independently tested to meet stringent safety requirements.

**Wall:** Steel mounting brackets provided, spaced 4ft on center; fixture held 3/4" from wall.

### Joints

Self-aligning joining system with hands-free pre-joining wire access.

### Endcaps

Diecast aluminum endcaps, available in flat (standard) or edge sculpted.

### Electrical

Factory pre-wired to section ends with quick-wire connectors.

### Approvals

Certified to UL, CSA and IES standards.

### Finish

High quality powder coated, available in matte white, black or titanium silver. Other factory and custom colors available on request.

### Environment

Rated for dry or damp locations in operating ambient temperatures 0-40°C (32-104°F). Certain luminaire components may be adversely affected by contaminants. Damage caused by sulfur, chlorine, petroleum based solutions or other contaminants are not covered under warranty.

Due to continuing product improvements, Philips Ledalite reserves the right to change the specifications without notice.



©2014 Koninklijke Philips N.V. All rights reserved.  
Specifications are subject to change without notice.  
www.philips.com/luminaires

ChopSusp\_35K34lm\_xN 05.17 page 3 of 3

Philips Lighting  
North America Corporation  
200 Franklin Square Drive  
Somerset, NJ 08873  
Phone: 855-486-2216

Philips Lighting Company  
281 Hillmount Road  
Markham ON, Canada L6C  
2S3  
Phone: 800-668-9008