

# Minimalist scale, unequaled performance that delivers

## CHOPSTICK SUSPENDED LED



SEMI-INDIRECT, MESOOPTICS LENS  
4800 lm/4ft 3000K

**Project:** \_\_\_\_\_

**Spec Type:** \_\_\_\_\_

**Catalog No:** 7505LCCxN \_\_\_\_\_

**Qty** \_\_\_\_\_

**Line Notes:** \_\_\_\_\_

### Ordering guide



Product Type	Source	Color Temp *	Lumens *	Lower Optics	Upper Optics	Run Length	Wiring †	Voltage ‡	Driver ‡	Finish
<input type="text" value="7505"/>	<input type="text" value="L"/>	<input type="text" value="C"/>	<input type="text" value="C"/>	<input type="text"/>	<input type="text" value="N"/>	<input type="text"/>	<input type="text"/>	<input type="text"/>	<input type="text"/>	<input type="text"/>
Chopstick Susp Semi-Indirect	L LED	A 4000K B 3500K C 3000K	E 3400 lm/4ft C 4800 lm/4ft	S MesoOptics Q Lens MesoOptics Lens	N Lightguide	04 4' 06 6' 08 8' Total run length (2' increments)	1 1 cct 3 1 cct + EM/NL Wiring 5 1 cct + EM Batt. Pack 7 1 cct Dimming B 2 cct A/B E 2 cct A/B Dimming M 1 cct Dimming + EM Wiring N 1 cct Dimming + EM Batt. Pack	1 120V 2 277V 3 347V	E Philips Advance	W Standard White T Titanium Silver B Black C Custom

\* Nominal values within a range. Consult photometry data for exact color temp, lumens & distribution.  
 † Not all wiring types are available with all configurations. Consult Philips Ledalite for a complete list of available options.  
 ‡ 347 only available in 8ft modules. Driver details on following pages.

### Mounting Hardware

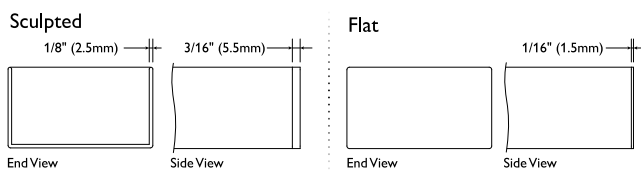
Mount Type  
Consult separate mounting spec sheet for mount type options

Suspension Length  
Distance from ceiling to top of luminaire in inches

Endcaps -

**Integrated Controls** Please indicate with check mark.

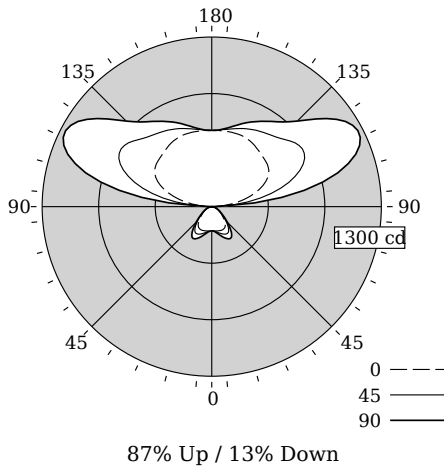
Response Daylight Single Zone (DS)



# CHOPSTICK SUSPENDED LED

SEMI-INDIRECT, MESOOPTICS LENS

## Photometry



Total Output	4526 lm
Efficacy	97.5 lm/W
CCT	3031K
CRI	82
Distribution	87% Up / 13% Down
Peak/Zenith Ratio	2.16
Peak Output	1263 cd @ 118°
Meets RP-1-12 recommendations for VDT-Critical spaces	

Values per 4ft unit

Fixture photometry has been conducted in accordance with IESNA LM-79-08

IES files for this and other photometric options can be downloaded online at [www.lightingproducts.philips.com](http://www.lightingproducts.philips.com)

## Candela Distribution

Vertical Angle	Horizontal Angle				Zonal Lumens
	0	22.5	45	67.5	
0	185	185	185	185	0
5	188	185	188	189	18
15	192	194	208	219	59
25	196	205	233	260	107
35	180	193	226	256	138
45	130	135	151	164	170
55	81	83	89	93	80
65	49	50	53	53	51
75	21	24	24	24	26
85	4	5	7	8	7
90	0	0	0	0	0
95	92	112	172	277	330
105	302	365	548	845	1000
115	457	545	774	1091	1256
125	528	615	817	1050	1167
135	548	607	741	871	928
145	573	607	694	769	798
155	590	608	657	700	716
165	590	597	618	633	639
175	586	583	589	590	589
180	585	585	585	585	0

## Coefficients of Utilization (%)

RCR	Ceiling		80		70		50		0	
	70	50	30	10	70	50	30	10	30	10
0	98	98	98	98	86	86	63	63	63	13
1	90	86	82	79	78	75	72	55	53	52
2	82	75	69	64	71	66	61	48	45	43
3	75	66	59	54	65	58	52	43	39	36
4	68	58	51	45	59	51	45	38	34	31
5	62	52	44	38	54	45	39	34	29	26
6	57	46	38	33	50	41	34	30	26	23
7	53	41	34	29	46	36	30	27	23	20
8	49	37	30	25	42	33	27	25	20	17
9	45	34	27	22	39	30	24	22	18	15
10	42	31	24	19	37	27	21	20	16	14

## Avg. Luminance (cd/m2)

Vertical Angle	Horizontal Angle		
	0	45	90
55	4171	4574	4776
65	3378	3652	3652
75	2385	2683	2832
85	1328	2213	2656

**LED lighting facts**  
A Program of the U.S. DOE

**Light Output (Lumens)** 4526  
**Watts** 46.4  
**Lumens per Watt (Efficacy)** 97

**Color Accuracy** Color Rendering Index (CRI) 82

**Light Color** Correlated Color Temperature (CCT) 3031 (Bright White)

Warm White | Bright White | Daylight  
2700K | 3000K | 4500K | 6500K

**Warranty\*\*** Yes

All results, except LED Lumen Maintenance, are according to IESNA LM-79-2008 Approved Method for the Electrical and Photometric Testing of Solid-State Lighting. The U.S. Department of Energy (DOE) verifies product test data and results.

\*\* See [www.lightingfacts.com/products](http://www.lightingfacts.com/products) for details.

Registration Number: F46Z-QGOTYG (3/29/2014)  
Model Number: 7505LCCxx04  
Type: Luminaire - Linear

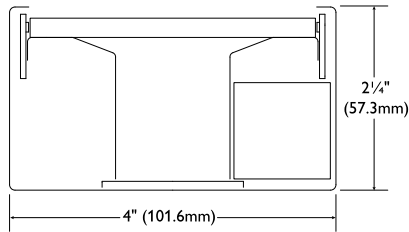
## Electrical Specifications

Input Voltage	120V	277V
Input Power	46.4W	45.8W
Input Current	0.39A	0.18A
Power Factor	0.988	0.930
Total Harm. Distortion	13.2%	18.9%
0		

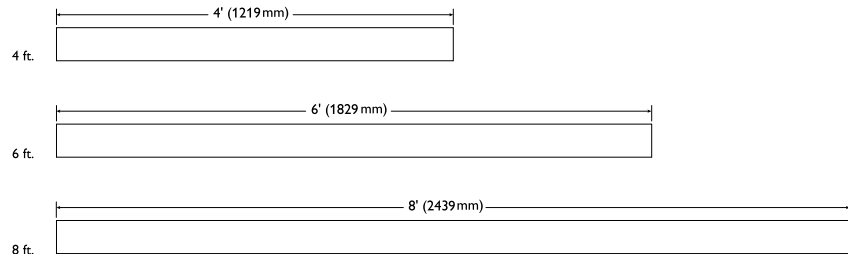
# CHOPSTICK SUSPENDED LED

SEMI-INDIRECT, MESOOPTICS LENS

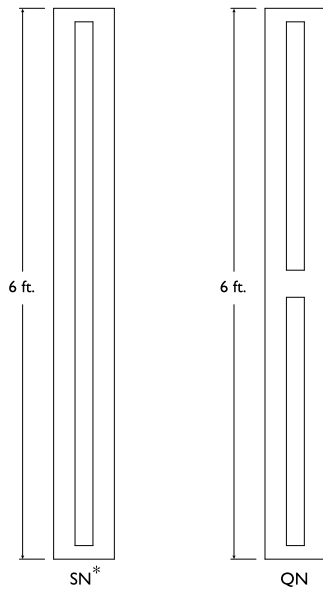
## Options and Details



### Modules



## Optics & Styles



\*SN optic is only available in 6ft modules

### Housing

Precision formed 20 gauge cold-rolled steel.

### Weight

Maximum 3.0lb/ft.

### Optical System

A low-profile light guide panel is edge lit by an LED array. The light guide couples and transmits the light via total internal reflection, then the etched surface of the panel optimizes the light extraction to create a semi-indirect (suspended) or direct/indirect (wall) distribution. Light is purified and controlled by MesoOptics film as it passes through the nonglare acrylic lens.

### Standard Driver

Dimming: 0-10V, 5-100%. Output is Class 2 rated. 347V option uses a step-down transformer (only available in 8ft module).

### Lumen Maintenance

At an ambient temperature of 25°C, the LED lumen maintenance expectation is  $L_{80}$  (12k) 70,000 hrs.

### Standard Driver

Dimming: 0-10V, 5-100%. Output is Class 2 rated. 347V option uses a step-down transformer (only available in 8ft module).

### Lumen Maintenance

At an ambient temperature of 25°C, the LED lumen maintenance expectation is  $L_{80}$  (12k) 70,000 hrs.

### Mounting

**Suspended:** tamper-resistant aircraft cable grippers provide infinite vertical adjustment capability. Aircraft cable, crimp and cable gripper are independently tested to meet stringent safety requirements.

**Wall:** Steel mounting brackets provided, spaced 4ft on center; fixture held 3/4" from wall.

### Joints

Self-aligning joining system with hands-free pre-joining wire access.

### Endcaps

Diecast aluminum endcaps, available in flat (standard) or edge sculpted.

### Electrical

Factory pre-wired to section ends with quick-wire connectors.

### Approvals

Certified to UL, CSA and IES standards.

### Finish

High quality powder coated, available in matte white, black or titanium silver. Other factory and custom colors available on request.

### Environment

Rated for dry or damp locations in operating ambient temperatures 0-40°C (32-104°F). Certain luminaire components may be adversely affected by contaminants. Damage caused by sulfur, chlorine, petroleum based solutions or other contaminants are not covered under warranty.

Due to continuing product improvements, Philips Ledalite reserves the right to change the specifications without notice.



©2014 Koninklijke Philips N.V. All rights reserved.  
Specifications are subject to change without notice.  
[www.philips.com/luminaires](http://www.philips.com/luminaires)

ChopSusp\_30K48lm\_xN 05.17 page 3 of 3

Philips Lighting  
North America Corporation  
200 Franklin Square Drive  
Somerset, NJ 08873  
Phone: 855-486-2216

Philips Lighting Company  
281 Hillmount Road  
Markham ON, Canada L6C  
2S3  
Phone: 800-668-9008