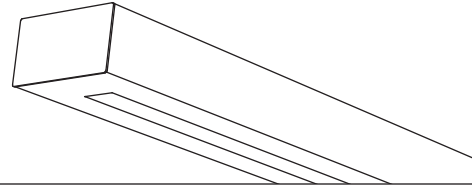


Chopstick™



Suspended
Semi-Indirect
2 T5



Project Name

Spec Type

Notes

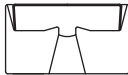
Order Guide

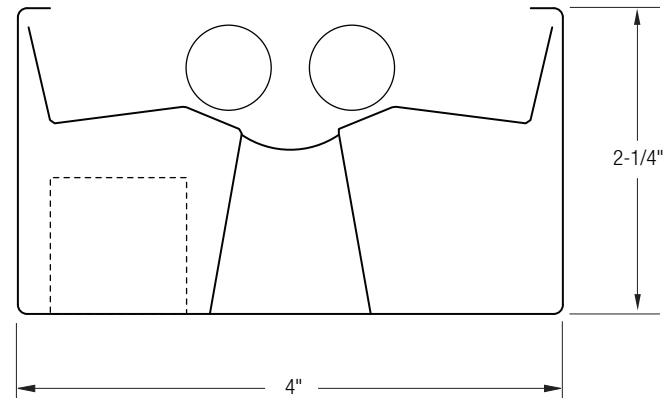
Some combinations of product options may not be available. Consult factory for assistance with your specification.

7505	F02	<input type="text"/>	<input type="text"/>	-	<input type="text"/>	-	<input type="text"/>	-	<input type="text"/>	<input type="text"/>	<input type="text"/>
Product Series & Type Chopstick Semi-Indirect	Lamping 2 T5	Lower Optics Q MesoOptics® Lens	Upper Optics N None	Run Length <i>Enter the total run length in feet (4ft increments)</i>	Wiring 1 1 cct 2 2 cct 3 1 cct w/ Emergency cct 4 2 cct w/ Emergency cct 5 1 cct w/ Battery Pack 6 2 cct w/ Battery Pack 7 1 cct Dimming	Voltage 1 120V 2 277V 3 347V	Ballast E Standard Ballast Consult website for ballast manufacturer information	Color & Finish W Standard White C Factory Color X Custom Color Consult website for color and finish options	Mounting Hardware <input type="text"/> <input type="text"/> Mount Type <input type="text"/> Suspension Length Consult separate mounting spec sheet for mount type options <i>Enter distance from ceiling to top of fixture in inches</i>		
		See details on reverse	See details on reverse	See details on reverse	Consult website for complete list of standard wiring options						

Upgrades & Accessories

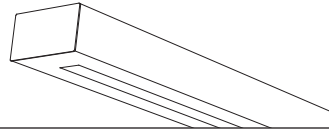
Please indicate with check mark.

<input type="checkbox"/> Lamps Included	<input type="checkbox"/> Lamps Included and Installed
<input type="checkbox"/> Response Daylight (Integrated Controls) For details visit www.ledalite.com/response	<input type="checkbox"/> Dust Cover 



Chopstick™

Suspended
Semi-Indirect
2 T5



Photometry Optics QN MesoOptics® Lens

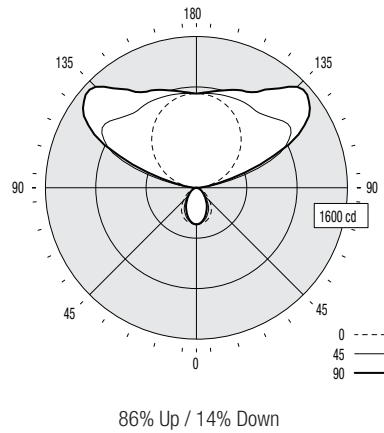
Report Summary

Report # 9901095 Peak Candela Value* 1536 @ 133°
 Filename 7505F02QN.ies Peak to Zenith Ratio* 1.5 : 1
 Efficiency 92.7% * Between 90-180° vertical angle

Meets RP-1-04 recommendations for VDT-Intensive spaces

Candela Distribution

Vertical Angle	Horizontal Angle					Zonal Lumens
	0	22.5	45	67.5	90	
0	389	389	389	389	389	
5	386	385	383	383	380	38
15	371	364	348	339	330	98
25	333	324	289	272	255	134
35	275	262	216	198	181	141
45	197	182	139	125	116	116
55	125	111	87	79	74	84
65	67	60	46	44	42	52
75	25	22	16	17	15	21
85	2	2	2	3	2	3
90	0	0	0	0	0	
95	59	89	79	54	67	92
105	202	517	525	396	386	457
115	365	652	1043	1026	1079	841
125	525	699	1180	1407	1468	952
135	669	795	1070	1413	1510	843
145	794	873	1031	1199	1268	651
155	891	935	1031	1114	1137	473
165	958	977	1018	1056	1065	288
175	992	994	1001	1011	1012	97
180	996	996	996	996	996	



Coefficients of Utilization (%)

Ceiling: Wall:	80				70				50				0
	70	50	30	10	70	50	30	10	50	30	10	0	
0 RCR	91	91	91	91	79	79	79	58	58	58	11		
1	83	79	76	73	72	69	67	51	49	47	10		
2	76	69	64	60	66	61	56	45	42	39	9		
3	69	61	55	50	60	53	48	39	36	33	7		
4	63	54	47	42	55	47	42	35	31	28	7		
5	58	48	41	36	50	42	36	31	27	24	6		
6	53	43	36	31	46	38	32	28	24	21	5		
7	49	38	31	27	42	34	28	25	21	18	5		
8	45	35	28	23	39	30	25	23	19	16	4		
9	42	31	25	21	36	28	22	21	17	14	4		
10	39	29	22	18	34	25	20	19	15	13	3		

Based on a floor reflectance of 0.2

Avg. Luminance (cd/m²)

Vertical Angle	Horizontal Angle		
	0	45	90
55	5862	4080	3471
65	4265	2928	2673
75	2598	1663	1559
85	617	617	617

IES files for this and other photometric options can be downloaded online at www.ledalite.com

Additional Information

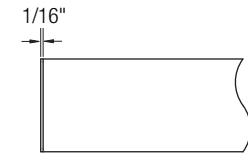
Modules

Module length excludes endcaps.
Nominal mount spacing for individually mounted modules.

Module	Mount Spacing*
4ft	4' 0"
8ft	8' 0"

* Refer to installation instructions for exact mount spacing

Endcap



Specifications

Due to continuing product improvements, Ledalite reserves the right to change specifications without notice.

Housing

Die-formed 20 gauge cold-rolled steel.

Weight

3.0 lb/ft.

Optical System

High efficiency optical system providing an optimal semi-indirect distribution. Lower optics consist of flat acrylic panels with a layer of MesoOptics® film that provides a controlled distribution in the lower hemisphere. Upper optics consist of high performance Miro IV® specular reflectors that provide a wide-spread batwing to evenly illuminate the ceiling.

Endcaps

Flat die-cast endcaps.

Joints

Self-aligning joining system with hands-free pre-joining wire access.

Mounting

Aircraft cable gripper is tamper-resistant and provides infinite vertical adjustment capability. Aircraft cable, crimp and cable gripper independently tested to meet stringent safety requirements.

Electrical

Factory pre-wired to section ends with quick-wire connectors.

Ballast

Electronic.

Approvals

Certified to UL and CSA standards.

Finish

High-quality powder coat. Available in Ledalite Standard White (textured matte finish), and a selection of other factory and customer-specified colors. Consult factory for details.