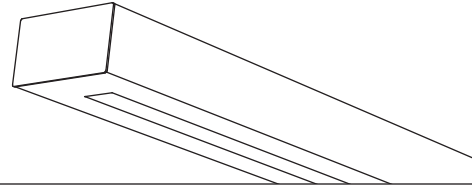


Chopstick™



Suspended
Semi-Indirect
1 T5



Project Name

Spec Type

Notes

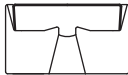
Order Guide

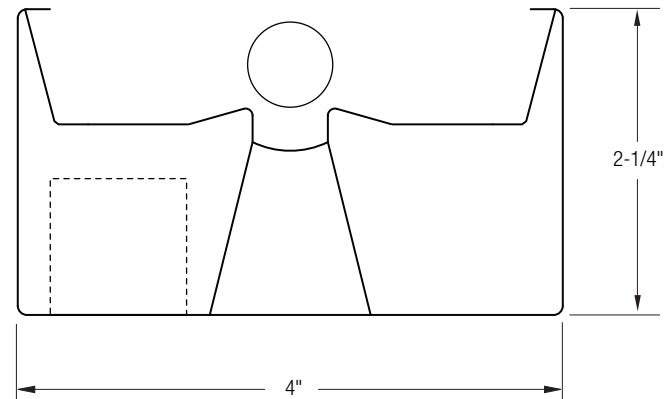
Some combinations of product options may not be available. Consult factory for assistance with your specification.

7505	F01	<input type="text"/>	<input type="text"/>	-	<input type="text"/>	-	<input type="text"/>	-	<input type="text"/>	<input type="text"/>	<input type="text"/>
Product Series & Type Chopstick Semi-Indirect	Lamping 1 T5	Lower Optics Q MesoOptics® Lens	Upper Optics N None	Run Length <i>Enter the total run length in feet (4ft increments)</i>	Wiring 1 1 cct 3 1 cct w/ Emergency cct 5 1 cct w/ Battery Pack 7 1 cct Dimming	Voltage 1 120V 2 277V 3 347V	Ballast E Standard Ballast Consult website for ballast manufacturer information	Color & Finish W Standard White C Factory Color X Custom Color Consult website for color and finish options			
		See details on reverse	See details on reverse	See details on reverse	Consult website for complete list of standard wiring options						
									Mounting Hardware		
									<input type="text"/>	<input type="text"/>	
									Mount Type	Suspension Length <i>Enter distance from ceiling to top of fixture in inches</i>	
									Consult separate mounting spec sheet for mount type options		

Upgrades & Accessories

Please indicate with check mark.

<input type="checkbox"/> Lamps Included	<input type="checkbox"/> Lamps Included and Installed
<input type="checkbox"/> Response Daylight (Integrated Controls) For details visit www.ledalite.com/response	<input type="checkbox"/> Dust Cover 

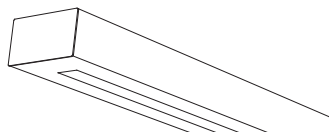


Chopstick™

Suspended

Semi-Indirect

1 T5



Photometry Optics QN MesoOptics® Lens

Report Summary

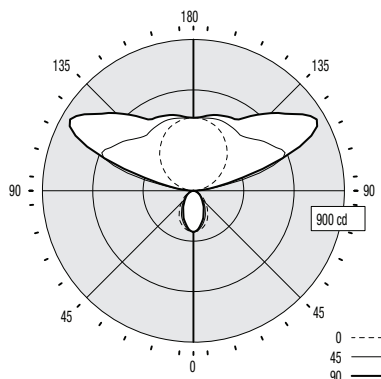
Report # 9901092
Filename 7505F01QN.ies
Efficiency 94.5%

Peak Candela Value* 849 @ 120°
Peak to Zenith Ratio* 2 : 1
* Between 90-180° vertical angle

Meets RP-1-04 recommendations for VDT-Intensive spaces

Candela Distribution

Vertical Angle	Horizontal Angle					Zonal Lumens
	0	22.5	45	67.5	90	
0	245	245	245	245	245	
5	242	242	240	240	237	23
15	225	223	209	204	193	60
25	193	189	167	154	143	78
35	147	142	120	109	102	77
45	103	98	81	73	69	66
55	67	63	53	51	48	52
65	38	37	30	31	29	32
75	16	15	12	13	12	16
85	2	2	2	3	2	3
90	0	0	0	0	0	
95	20	55	62	40	52	65
105	77	275	407	291	304	310
115	147	276	581	731	776	497
125	215	290	512	726	793	456
135	284	336	448	611	653	361
145	338	377	439	500	530	277
155	387	405	447	476	486	204
165	416	422	445	463	467	126
175	432	432	436	439	439	43
180	434	434	434	434	434	



83.5% Up / 16.5% Down

Coefficients of Utilization (%)

Ceiling: Wall:	80				70				50				0				
	70	50	30	10	70	50	30	10	50	30	10	0	70	50	30	10	0
0 RCR	93	93	93	93	81	81	81	60	60	60	13						
1	85	81	77	74	74	71	68	52	51	49	12						
2	77	71	65	61	67	62	58	46	43	41	10						
3	70	62	56	51	61	55	49	41	37	34	9						
4	64	55	48	43	56	48	43	36	32	29	8						
5	59	49	42	37	51	43	37	32	28	25	7						
6	54	44	37	31	47	39	33	29	25	22	6						
7	50	39	32	27	44	35	29	26	22	19	5						
8	46	35	29	24	40	31	26	24	20	17	5						
9	43	32	26	21	37	28	23	22	18	15	4						
10	40	29	23	19	35	26	21	20	16	13	4						

Based on a floor reflectance of 0.2

Avg. Luminance (cd/m²)

Vertical Angle	Horizontal Angle		
	0	45	90
55	3142	2486	2251
65	2419	1910	1846
75	1663	1247	1247
85	617	617	617

IES files for this and other photometric options can be downloaded online at www.ledalite.com

Additional Information

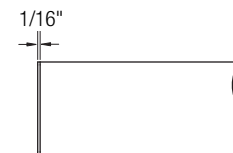
Modules

Module length excludes endcaps.
 Nominal mount spacing for individually mounted modules.

Module	Mount Spacing*
4ft	4' 0"
8ft	8' 0"

* Refer to installation instructions for exact mount spacing

Endcap



Specifications

Due to continuing product improvements, Ledalite reserves the right to change specifications without notice.

Housing

Die-formed 20 gauge cold-rolled steel.

Weight

3.0 lb/ft.

Optical System

High efficiency optical system providing an optimal semi-indirect distribution. Lower optics consist of flat acrylic panels with a layer of MesoOptics® film that provides a controlled distribution in the lower hemisphere. Upper optics consist of high performance Miro IV® specular reflectors that provide a wide-spread batwing to evenly illuminate the ceiling.

Endcaps

Flat die-cast endcaps.

Joints

Self-aligning joining system with hands-free pre-joining wire access.

Mounting

Aircraft cable gripper is tamper-resistant and provides infinite vertical adjustment capability. Aircraft cable, crimp and cable gripper independently tested to meet stringent safety requirements.

Electrical

Factory pre-wired to section ends with quick-wire connectors.

Ballast

Electronic.

Approvals

Certified to UL and CSA standards.

Finish

High-quality powder coat. Available in Ledalite Standard White (textured matte finish), and a selection of other factory and customer-specified colors. Consult factory for details.