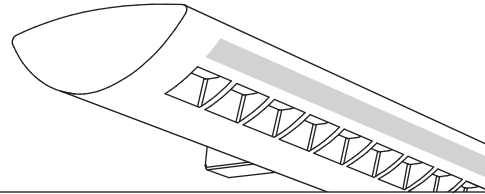


Wall
 Direct/Indirect
 1 T8 - Perf Housing



Project Name

Spec Type

Notes



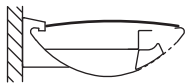
Order Guide

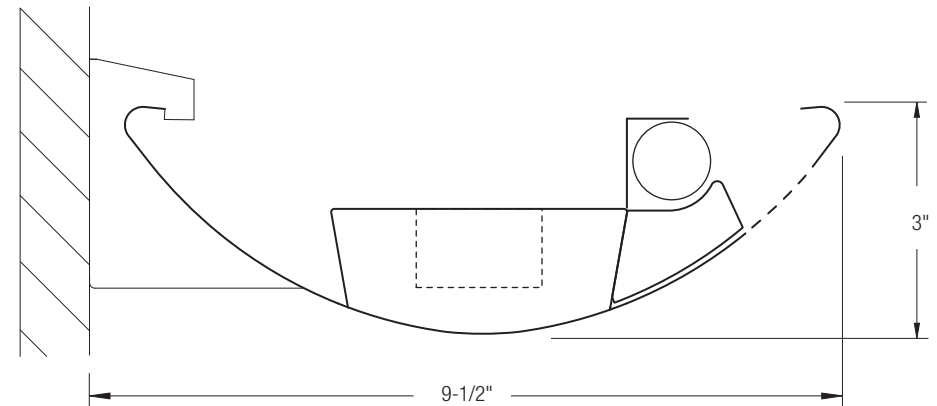
Some combinations of product options may not be available. Consult factory for assistance with your specification.

9508	T01			-		-		-	
Product Series & Type Centris Wall	Lamping 1 T8	Lower Optics M Round Perf Housing / Solid Baffle T Round Perf Housing / Round Perf Baffle U Slot Perf Housing / Solid Baffle Z Slot Perf Housing / Round Perf Baffle	Upper Optics N None	Run Length <i>Enter the total run length in feet (4ft increments)</i>	Wiring 1 1 cct 3 1 cct w/ Emergency cct 5 1 cct w/ Battery Pack 7 1 cct Dimming	Voltage 1 120V 2 277V 3 347V	Ballast E Standard Ballast	Color & Finish W Standard White C Factory Color X Custom Color	
		See details on reverse		See details on reverse	Consult website for complete list of standard wiring options		Consult website for ballast manufacturer information	Consult website for color and finish options	

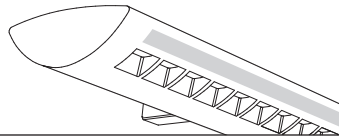
Upgrades & Accessories

Please indicate with check mark.

<input type="checkbox"/> Lamps Included	<input type="checkbox"/> Lamps Included and Installed
<input type="checkbox"/> Sculptured Endcap See details on reverse	<input type="checkbox"/> Dust Cover 



Wall
 Direct/Indirect
 1 T8 - Perf Housing



Photometry Optics UN Slot Perf Housing / Solid Baffle

Report Summary

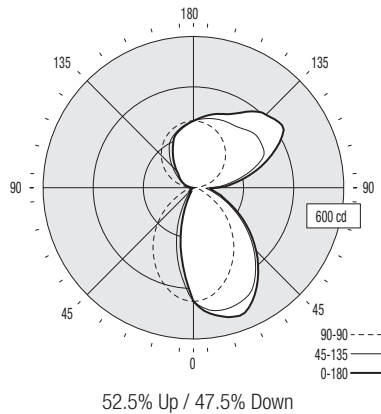
Report # 2101676
Filename 9508T01UN-ZN.ies
Efficiency 64.1%

Peak Candela Value* 432 @ 125°
Peak to Zenith Ratio* 1.6 : 1

* Between 90-180° vertical angle

Candela Distribution

Vertical Angle	Horizontal Angle					Zonal Lumens
	0	22.5	45	67.5	90	
0	451	451	451	451	451	
5	490	479	446	388	359	41
15	532	499	411	258	197	106
25	524	486	352	136	60	143
35	447	430	281	44	19	151
45	354	339	204	23	23	142
55	258	243	125	19	8	113
65	170	156	56	3	1	75
75	112	92	27	1	1	46
85	71	56	8	1	1	29
90	96	67	1	1	1	
95	151	127	17	7	8	63
105	257	226	64	27	25	119
115	362	311	104	51	47	163
125	432	324	145	77	66	178
135	409	317	181	118	95	168
145	368	297	212	168	140	147
155	322	292	237	211	192	115
165	301	284	254	236	231	73
175	277	272	264	257	254	25
180	265	265	265	265	265	



Coefficients of Utilization (%)

Ceiling: Wall:	80				70				50				0				
	70	50	30	10	70	50	30	10	50	30	10	0	70	50	30	10	0
0 RCR	68	68	68	68	62	62	62	51	51	51	28						
1	62	59	56	54	56	54	52	45	43	42	24						
2	56	52	48	45	51	47	44	40	37	35	20						
3	51	46	41	37	47	42	38	35	32	30	17						
4	47	40	36	32	43	37	33	31	28	25	15						
5	43	36	31	27	40	33	29	28	25	22	13						
6	40	32	27	24	37	30	26	25	22	19	12						
7	37	29	24	21	34	27	23	23	20	17	10						
8	34	27	22	18	31	25	20	21	18	15	9						
9	32	24	20	16	29	23	18	19	16	14	9						
10	30	22	18	15	27	21	17	18	15	12	8						

Based on a floor reflectance of 0.2

Avg. Luminance (cd/m²)

Vertical Angle	Horizontal Angle		
	0	45	90
55	1207	888	37
65	921	540	5
75	748	425	7
85	644	374	9

IES files for this and other photometric options can be downloaded online at www.ledalite.com

Additional Information

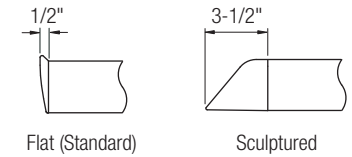
Modules

Module length excludes endcaps.
 Nominal mount spacing for individually mounted modules.

Module	Nominal Length
4ft	4' 0"
8ft	8' 0"
12ft	12' 0"

Refer to installation instructions for exact mount spacing

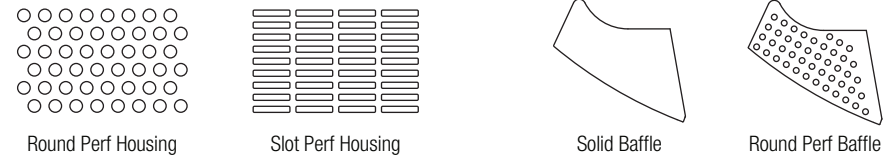
Endcap



Mounting Hardware

- Mounts variable within 6" of end or joint.
 - Minimum one mount per fixture end or joint.
- Note:** Mount is not continuous, and therefore fixture is not flush with wall.

Lower Optics



Specifications

Due to continuing product improvements, Ledalite reserves the right to change specifications without notice.

Housing

Die-formed 20 gauge cold-rolled steel.

Weight

3.0 lb/ft.

Optical System

Direct/Indirect: Constructed of 96% reflective white steel, and produces an asymmetric direct/indirect distribution. Baffles are white blades spaced 2-7/16" apart and are 3/4" deep (18 cells per 4ft section). Perforation of baffles and housing is optional. Perforated housing options use additional acrylic overlay.

Semi-indirect: Constructed of highly specular aluminum, 96% reflective white steel, and a perforated optical filter with acrylic overlay to produce an asymmetric semi-indirect distribution.

Indirect: Constructed of highly specular aluminum and 96% reflective white steel to produce an asymmetric indirect distribution.

Endcaps

Die-cast endcap or optional die-cast sculptured endcap.

Joints

Self-aligning joining system with hands-free pre-joining wire access.

Mounting

Brackets attach to existing structure, variable within 6" of end or joint.

Electrical

All luminaires shall be factory pre-wired to section ends with quick-wire connectors.

Ballast

Electronic.

Approvals

Certified to UL & CSA standards.

Finish

High-quality powder coat. Available in Ledalite Standard White (textured matte finish), and a selection of other factory and customer-specified colors. Consult factory for details.