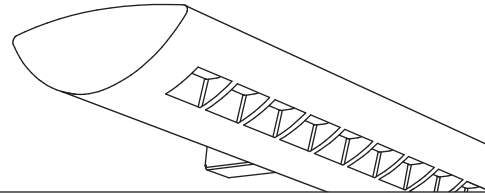


Project Name

Spec Type

Notes

Wall
 Direct/Indirect
 1 T5HO - Solid Housing



Order Guide

Some combinations of product options may not be available. Consult factory for assistance with your specification.

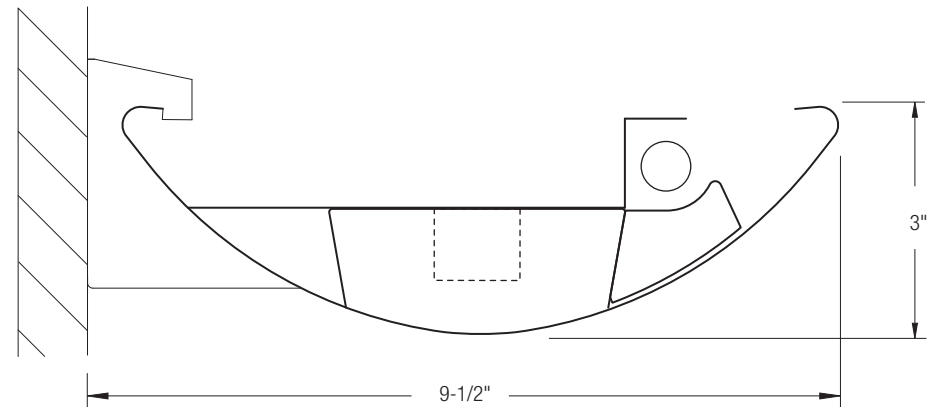
9508	H01			-		-		-		-	
Product Series & Type Centris Wall	Lamping 1 T5HO	Lower Optics C Solid Baffle R Round Perf Baffle	Upper Optics N None	Run Length <i>Enter the total run length in feet (4ft increments)</i>	Wiring 1 1 cct 3 1 cct w/ Emergency cct 5 1 cct w/ Battery Pack 7 1 cct Dimming	Voltage 1 120V 2 277V 3 347V	Ballast E Standard Ballast	Color & Finish W Standard White C Factory Color X Custom Color			
		See details on reverse		See details on reverse	Consult website for complete list of standard wiring options		Consult website for ballast manufacturer information	Consult website for color and finish options			

Upgrades & Accessories

Please indicate with check mark.

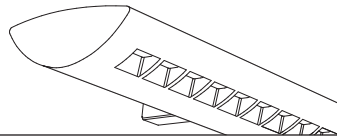
Lamps Included Lamps Included and Installed

Sculptured Endcap
See details on reverse



Centris®

Wall
 Direct/Indirect
 1 T5HO - Solid Housing



Photometry Optics RN Round Perf Baffle

Report Summary

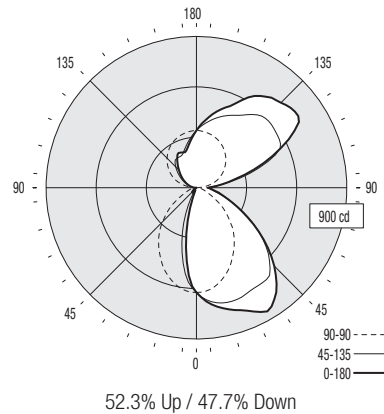
Report # 2101681
Filename 9508H01CN-RN.ies
Efficiency 62.3%

Peak Candela Value* 744 @ 125°
Peak to Zenith Ratio* 2.2 : 1

* Between 90-180° vertical angle

Candela Distribution

Vertical Angle	Horizontal Angle					Zonal Lumens
	0	22.5	45	67.5	90	
0	623	623	623	623	623	
5	679	669	619	563	525	58
15	749	707	572	337	201	144
25	813	699	491	117	15	196
35	812	690	395	29	34	238
45	659	619	284	38	33	238
55	456	455	178	28	7	195
65	270	276	80	3	1	126
75	154	141	40	1	1	69
85	91	78	12	1	1	38
90	71	61	2	4	6	
95	121	117	31	17	19	67
105	300	332	101	43	42	172
115	556	553	159	81	70	268
125	744	579	206	125	105	300
135	715	584	249	175	148	276
145	667	531	284	210	200	228
155	554	475	311	211	230	162
165	469	426	329	250	231	96
175	385	371	339	310	298	33
180	341	341	341	341	341	



Coefficients of Utilization (%)

Ceiling:	80				70				50				0				
	70	50	30	10	70	50	30	10	50	30	10	0	70	50	30	10	0
0 RCR	66	66	66	66	60	60	60	50	50	50	28						
1	60	57	55	53	55	52	50	44	42	41	23						
2	55	50	46	43	50	46	43	38	36	34	20						
3	50	44	40	36	45	40	37	34	31	29	17						
4	46	39	34	30	42	36	32	30	27	24	14						
5	42	35	30	26	38	32	28	27	24	21	12						
6	39	31	26	23	35	29	24	24	21	18	11						
7	36	28	23	20	33	26	22	22	19	16	10						
8	33	25	21	17	30	24	19	20	17	14	9						
9	31	23	19	15	28	22	17	18	15	13	8						
10	29	21	17	14	26	20	16	17	14	11	7						

Based on a floor reflectance of 0.2

Avg. Luminance (cd/m²)

Vertical Angle	Horizontal Angle		
	0	45	90
55	2133	1265	33
65	1463	772	5
75	1029	630	7
85	825	561	9

IES files for this and other photometric options can be downloaded online at www.ledalite.com

Additional Information

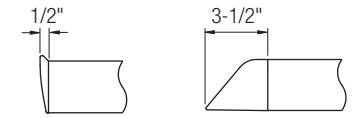
Modules

Module length excludes endcaps.
 Nominal mount spacing for individually mounted modules.

Module	Nominal Length
4ft	4' 0"
8ft	8' 0"
12ft	12' 0"

Refer to installation instructions for exact mount spacing

Endcap



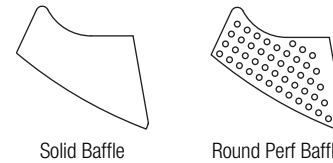
Flat (Standard)

Sculptured

Mounting Hardware

- Mounts variable within 6" of end or joint.
 - Minimum one mount per fixture end or joint.
- Note:** Mount is not continuous, and therefore fixture is not flush with wall.

Lower Optics



Solid Baffle

Round Perf Baffle

Specifications

Due to continuing product improvements, Ledalite reserves the right to change specifications without notice.

Housing

Die-formed 20 gauge cold-rolled steel.

Weight

3.0 lb/ft.

Optical System

Direct/Indirect: Constructed of 96% reflective white steel, and produces an asymmetric direct/indirect distribution. Baffles are white blades spaced 2-7/16" apart and are 3/4" deep (18 cells per 4ft section). Perforation of baffles and housing is optional. Perforated housing options use additional acrylic overlay.

Semi-indirect: Constructed of highly specular aluminum, 96% reflective white steel, and a perforated optical filter with acrylic overlay to produce an asymmetric semi-indirect distribution.

Indirect: Constructed of highly specular aluminum and 96% reflective white steel to produce an asymmetric indirect distribution.

Endcaps

Die-cast endcap or optional die-cast sculptured endcap.

Joints

Self-aligning joining system with hands-free pre-joining wire access.

Mounting

Brackets attach to existing structure, variable within 6" of end or joint.

Electrical

All luminaires shall be factory pre-wired to section ends with quick-wire connectors.

Ballast

Electronic.

Approvals

Certified to UL & CSA standards.

Finish

High-quality powder coat. Available in Ledalite Standard White (textured matte finish), and a selection of other factory and customer-specified colors. Consult factory for details.