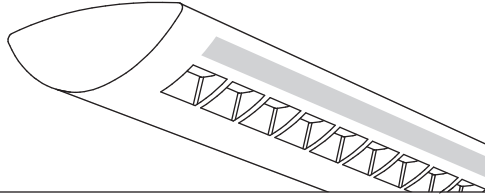


# Centris®



Suspended  
Direct/Indirect  
4 T8 - Perf Housing



Project Name

Spec Type

Notes




## Order Guide

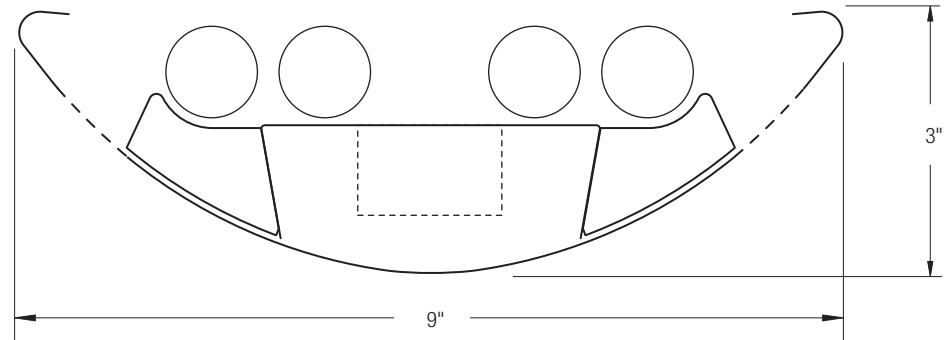
Some combinations of product options may not be available. Consult factory for assistance with your specification.

9506	T04			-		-		-			
Product Series & Type Centris Direct/Indirect	Lamping 4 T8	Lower Optics <b>M</b> Round Perf Housing / Solid Baffle <b>T</b> Round Perf Housing / Round Perf Baffle <b>U</b> Slot Perf Housing / Solid Baffle <b>Z</b> Slot Perf Housing / Round Perf Baffle	Upper Optics <b>N</b> None <b>D</b> Down Kit <b>Y</b> Lamp Separator	Run Length <i>Enter the total run length in feet (4ft increments)</i>	Wiring <b>1</b> 1 cct <b>2</b> 2 cct <b>3</b> 1 cct w/ Emergency cct <b>4</b> 2 cct w/ Emergency cct <b>5</b> 1 cct w/ Battery Pack <b>6</b> 2 cct w/ Battery Pack <b>7</b> 1 cct Dimming	Voltage <b>1</b> 120V <b>2</b> 277V <b>3</b> 347V	Ballast <b>E</b> Standard Ballast  Consult website for ballast manufacturer information	Color & Finish <b>W</b> Standard White <b>C</b> Factory Color <b>X</b> Custom Color  Consult website for color and finish options	<b>Mounting Hardware</b> <input type="text"/> <input type="text"/> <b>Mount Type</b> <input type="text"/> <b>Suspension Length</b> <input type="text"/> Consult separate mounting spec sheet for mount type options <i>Enter distance from ceiling to top of fixture in inches</i>		
		See details on reverse	See details on reverse	See details on reverse	Consult website for complete list of standard wiring options						

## Upgrades & Accessories

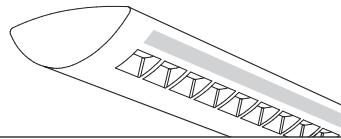
Please indicate with check mark.

<input type="checkbox"/> Lamps Included	<input type="checkbox"/> Lamps Included and Installed
<input type="checkbox"/> Sculptured Endcap See details on reverse	<input type="checkbox"/> Dust Cover 
<input type="checkbox"/> Response Daylight (Integrated Controls) For details visit <a href="http://www.ledalite.com/response">www.ledalite.com/response</a>	



# Centris®

Suspended  
Direct/Indirect  
4 T8 - Perf Housing



## Photometry Optics ZD Slot Perf Housing / Round Perf Baffle w/ Down Kit

### Report Summary

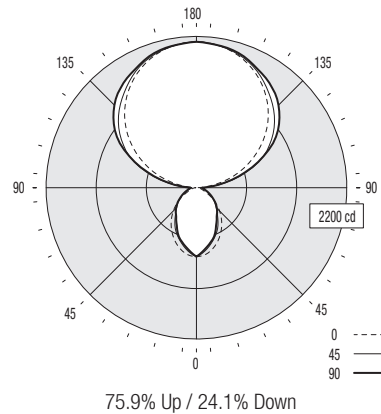
**Report #** 9900054  
**Filename** 9506T04UD-ZD.ies  
**Efficiency** 77.3%

**Peak Candela Value\*** 2123 @ 180°  
**Peak to Zenith Ratio\*** 1 : 1

\* Between 90-180° vertical angle

### Candela Distribution

Vertical Angle	Horizontal Angle					Zonal Lumens
	0	22.5	45	67.5	90	
0	1003	1003	1003	1003	1003	
5	994	977	958	944	940	91
15	920	867	837	822	815	238
25	796	725	706	681	668	327
35	646	580	546	523	516	350
45	479	433	405	418	423	330
55	303	290	307	312	314	272
65	144	184	201	209	215	193
75	73	93	122	133	137	122
85	29	50	76	91	97	77
90	8	39	66	86	86	
95	113	175	231	241	228	233
105	475	599	668	659	640	652
115	846	940	1080	1099	1083	1008
125	1189	1234	1370	1445	1457	1200
135	1487	1506	1598	1686	1698	1230
145	1729	1742	1785	1843	1861	1121
155	1918	1918	1952	1971	1973	899
165	2047	2043	2054	2068	2070	581
175	2114	2113	2111	2109	2107	203
180	2123	2123	2123	2123	2123	



### Coefficients of Utilization (%)

Ceiling: Walk:	80				70				50				0				
	70	50	30	10	70	50	30	10	50	30	10	0	70	50	30	10	0
0 RCR	77	77	77	77	69	69	69	52	52	52	16						
1	70	67	64	62	62	60	57	45	44	42	14						
2	64	59	54	50	57	52	48	40	37	35	12						
3	58	51	46	42	52	46	41	35	32	29	10						
4	53	45	40	35	47	40	36	31	28	25	8						
5	49	40	34	30	43	36	31	28	24	21	7						
6	45	36	30	26	40	32	27	25	21	19	6						
7	41	32	27	23	37	29	24	22	19	16	6						
8	38	29	24	20	34	26	21	20	17	14	5						
9	36	27	21	17	31	24	19	19	15	13	5						
10	33	24	19	15	29	22	17	17	14	11	4						

Based on a floor reflectance of 0.2

### Avg. Luminance (cd/m<sup>2</sup>)

Vertical Angle	Horizontal Angle		
	0	45	90
55	2153	1596	1469
65	1389	1249	1165
75	1150	980	915
85	1356	902	880

IES files for this and other photometric options can be downloaded online at [www.ledalite.com](http://www.ledalite.com)

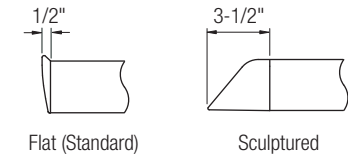
## Additional Information

### Modules

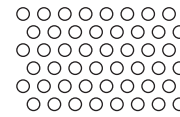
Module length excludes endcaps.  
Nominal mount spacing for individually mounted modules.

Module	Mount Spacing
4ft	4' 0"
8ft	8' 0"
12ft	12' 0"

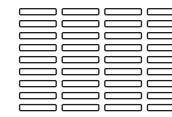
### Endcap



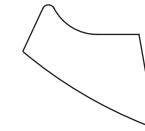
### Lower Optics



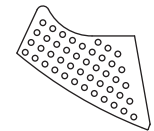
Round Perf Housing



Slot Perf Housing



Solid Baffle



Round Perf Baffle

### Upper Optics



D Down Kit



Y Lamp Separator

## Specifications

Due to continuing product improvements, Ledalite reserves the right to change specifications without notice.

### Housing

Die-formed 20 gauge cold-rolled steel.

### Weight

3.0 lb/ft.

### Optical System

Direct/Indirect: Constructed of 96% reflective white steel to produce a direct/indirect distribution. Baffles are white blades spaced 2-7/16" apart and are 3/4" deep (18 cells per 4ft section). Perforation of baffles and housing is optional. Perforated housing options include acrylic overlay. Optional field-installable Variable Optics kits provide additional downlight as required.

Semi-Indirect: Constructed of 96% reflective white steel with perforated housing and acrylic overlay to produce a semi-indirect distribution. Perforated housing available in round or slot perforation patterns.

Indirect: Constructed of 96% reflective white steel to produce an indirect distribution.

High performance options use additional highly-specular aluminum reflectors.

### Endcaps

Die-cast endcap or optional die-cast sculptured endcap.

### Joints

Self-aligning joining system with hands-free pre-joining wire access.

### Mounting

Aircraft cable gripper is tamper-resistant and provides infinite vertical adjustment capability. Aircraft cable, crimp and cable gripper independently tested to meet stringent safety requirements.

### Electrical

Factory pre-wired to section ends with quick-wire connectors.

### Ballast

Electronic.

### Approvals

Certified to UL and CSA standards.

### Finish

High-quality powder coat. Available in Ledalite Standard White (textured matte finish), and a selection of other factory and customer-specified colors. Consult factory for details.