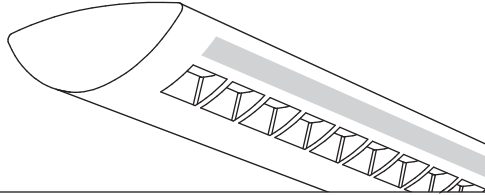


Suspended
Direct/Indirect
4 T8 - Perf Housing



Project Name

Spec Type

Notes




Order Guide

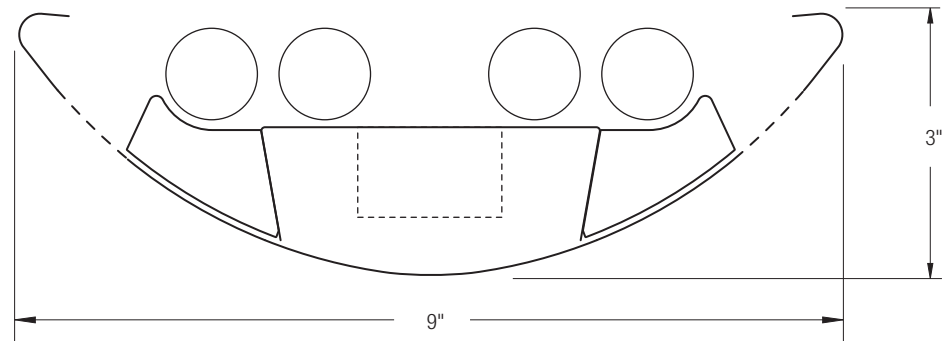
Some combinations of product options may not be available. Consult factory for assistance with your specification.

9506	T04			-		-		-		
Product Series & Type Centris Direct/Indirect	Lamping 4 T8	Lower Optics M Round Perf Housing / Solid Baffle T Round Perf Housing / Round Perf Baffle U Slot Perf Housing / Solid Baffle Z Slot Perf Housing / Round Perf Baffle	Upper Optics N None D Down Kit Y Lamp Separator	Run Length <i>Enter the total run length in feet (4ft increments)</i>	Wiring 1 1 cct 2 2 cct 3 1 cct w/ Emergency cct 4 2 cct w/ Emergency cct 5 1 cct w/ Battery Pack 6 2 cct w/ Battery Pack 7 1 cct Dimming	Voltage 1 120V 2 277V 3 347V	Ballast E Standard Ballast Consult website for ballast manufacturer information	Color & Finish W Standard White C Factory Color X Custom Color Consult website for color and finish options	Mounting Hardware <input type="text"/> <input type="text"/> Mount Type <input type="text"/> Suspension Length <input type="text"/> <small>Enter distance from ceiling to top of fixture in inches</small> Consult separate mounting spec sheet for mount type options	
		See details on reverse	See details on reverse	See details on reverse	Consult website for complete list of standard wiring options					

Upgrades & Accessories

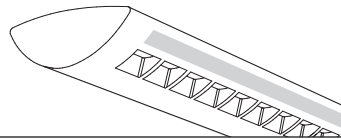
Please indicate with check mark.

<input type="checkbox"/> Lamps Included	<input type="checkbox"/> Lamps Included and Installed
<input type="checkbox"/> Sculptured Endcap <small>See details on reverse</small>	<input type="checkbox"/> Dust Cover 
<input type="checkbox"/> Response Daylight (Integrated Controls) <small>For details visit www.ledalite.com/response</small>	



Centris®

Suspended
Direct/Indirect
4 T8 - Perf Housing



Photometry Optics UY Slot Perf Housing / Solid Baffle w/ Lamp Separator

Report Summary

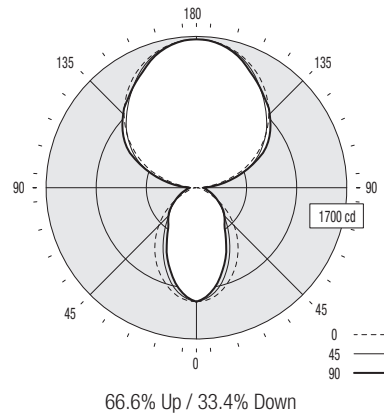
Report # 2101728
Filename 9506T04UY-ZY.ies
Efficiency 63%

Peak Candela Value* 1668 @ 180°
Peak to Zenith Ratio* 1 : 1

* Between 90-180° vertical angle

Candela Distribution

Vertical Angle	Horizontal Angle					Zonal Lumens
	0	22.5	45	67.5	90	
0	1281	1281	1281	1281	1281	119
5	1270	1255	1251	1234	1233	307
15	1176	1134	1106	1042	1039	403
25	1018	946	875	798	798	408
35	821	714	639	557	557	366
45	604	498	440	433	447	294
55	381	314	324	317	329	201
65	172	184	206	213	224	123
75	74	88	128	134	143	77
85	19	46	76	92	101	165
90	5	37	65	80	86	450
95	91	117	158	157	188	702
105	377	400	447	441	467	841
115	675	642	736	747	770	876
125	930	879	940	979	1008	817
135	1157	1107	1119	1151	1171	675
145	1348	1319	1292	1291	1302	449
155	1499	1486	1467	1434	1437	160
165	1604	1602	1594	1580	1583	1668
175	1660	1660	1661	1659	1660	1668
180	1668	1668	1668	1668	1668	1668



Coefficients of Utilization (%)

Ceiling: Wall:	80				70				50				0
	70	50	30	10	70	50	30	10	50	30	10	0	
0 RCR	64	64	64	64	58	58	58	45	45	45	19		
1	59	56	54	51	52	50	48	40	38	37	16		
2	53	49	45	42	48	44	41	35	33	31	14		
3	49	43	39	35	44	39	35	31	28	26	12		
4	45	38	33	30	40	35	30	28	25	22	10		
5	41	34	29	26	37	31	27	25	22	19	9		
6	38	31	26	22	34	28	23	22	19	17	8		
7	35	28	23	19	31	25	21	20	17	15	7		
8	32	25	20	17	29	23	19	18	15	13	6		
9	30	23	18	15	27	21	17	17	14	12	6		
10	28	21	16	14	25	19	15	15	13	11	5		

Based on a floor reflectance of 0.2

Avg. Luminance (cd/m²)

Vertical Angle	Horizontal Angle		
	0	45	90
55	2707	1684	1539
65	1659	1281	1214
75	1165	1029	955
85	889	902	916

IES files for this and other photometric options can be downloaded online at www.ledalite.com

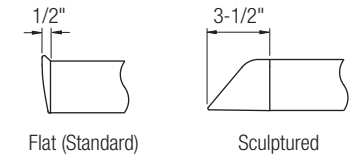
Additional Information

Modules

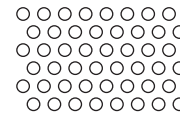
Module length excludes endcaps.
Nominal mount spacing for individually mounted modules.

Module	Mount Spacing
4ft	4' 0"
8ft	8' 0"
12ft	12' 0"

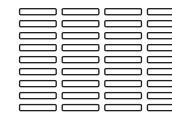
Endcap



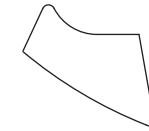
Lower Optics



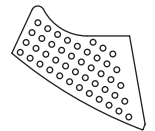
Round Perf Housing



Slot Perf Housing

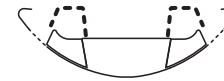


Solid Baffle



Round Perf Baffle

Upper Optics



D Down Kit



Y Lamp Separator

Specifications

Due to continuing product improvements, Ledalite reserves the right to change specifications without notice.

Housing

Die-formed 20 gauge cold-rolled steel.

Weight

3.0 lb/ft.

Optical System

Direct/Indirect: Constructed of 96% reflective white steel to produce a direct/indirect distribution. Baffles are white blades spaced 2-7/16" apart and are 3/4" deep (18 cells per 4ft section). Perforation of baffles and housing is optional. Perforated housing options include acrylic overlay. Optional field-installable Variable Optics kits provide additional downlight as required.

Semi-Indirect: Constructed of 96% reflective white steel with perforated housing and acrylic overlay to produce a semi-indirect distribution. Perforated housing available in round or slot perforation patterns.

Indirect: Constructed of 96% reflective white steel to produce an indirect distribution.

High performance options use additional highly-specular aluminum reflectors.

Endcaps

Die-cast endcap or optional die-cast sculptured endcap.

Joints

Self-aligning joining system with hands-free pre-joining wire access.

Mounting

Aircraft cable gripper is tamper-resistant and provides infinite vertical adjustment capability. Aircraft cable, crimp and cable gripper independently tested to meet stringent safety requirements.

Electrical

Factory pre-wired to section ends with quick-wire connectors.

Ballast

Electronic.

Approvals

Certified to UL and CSA standards.

Finish

High-quality powder coat. Available in Ledalite Standard White (textured matte finish), and a selection of other factory and customer-specified colors. Consult factory for details.