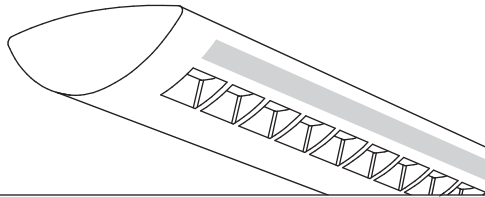


Suspended
Direct/Indirect
4 T8 - Perf Housing



Project Name

Spec Type

Notes




Order Guide

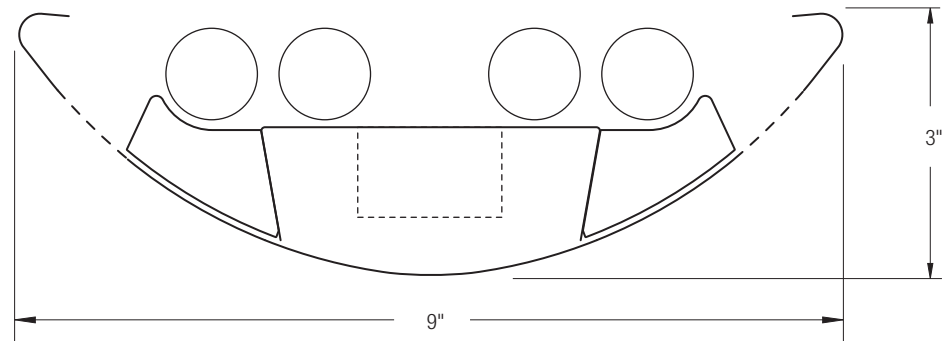
Some combinations of product options may not be available. Consult factory for assistance with your specification.

9506	T04			-		-		-			
Product Series & Type Centris Direct/Indirect	Lamping 4 T8	Lower Optics M Round Perf Housing / Solid Baffle T Round Perf Housing / Round Perf Baffle U Slot Perf Housing / Solid Baffle Z Slot Perf Housing / Round Perf Baffle	Upper Optics N None D Down Kit Y Lamp Separator	Run Length <i>Enter the total run length in feet (4ft increments)</i>	Wiring 1 1 cct 2 2 cct 3 1 cct w/ Emergency cct 4 2 cct w/ Emergency cct 5 1 cct w/ Battery Pack 6 2 cct w/ Battery Pack 7 1 cct Dimming	Voltage 1 120V 2 277V 3 347V	Ballast E Standard Ballast Consult website for ballast manufacturer information	Color & Finish W Standard White C Factory Color X Custom Color Consult website for color and finish options	Mounting Hardware <input type="text"/> <input type="text"/> Mount Type <input type="text"/> Suspension Length <input type="text"/> <i>Enter distance from ceiling to top of fixture in inches</i> Consult separate mounting spec sheet for mount type options		
		See details on reverse	See details on reverse	See details on reverse	Consult website for complete list of standard wiring options						

Upgrades & Accessories

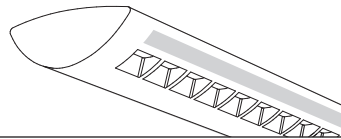
Please indicate with check mark.

<input type="checkbox"/> Lamps Included	<input type="checkbox"/> Lamps Included and Installed
<input type="checkbox"/> Sculptured Endcap See details on reverse	<input type="checkbox"/> Dust Cover 
<input type="checkbox"/> Response Daylight (Integrated Controls) For details visit www.ledalite.com/response	



Centris®

Suspended
Direct/Indirect
4 T8 - Perf Housing



Photometry Optics UN Slot Perf Housing / Solid Baffle

Report Summary

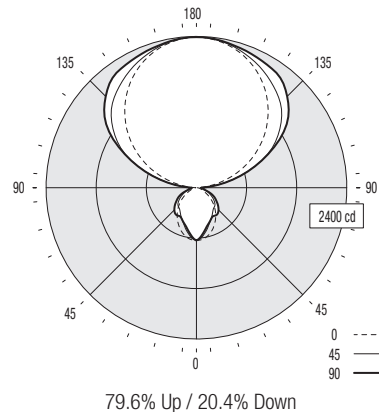
Report # 2101581
Filename 9506T04UN-ZN.ies
Efficiency 84.2%

Peak Candela Value* 2390 @ 180°
Peak to Zenith Ratio* 1 : 1

* Between 90-180° vertical angle

Candela Distribution

Vertical Angle	Horizontal Angle					Zonal Lumens
	0	22.5	45	67.5	90	
0	837	837	837	837	837	
5	830	816	806	772	783	76
15	771	710	673	635	638	191
25	664	579	549	544	550	263
35	536	449	456	511	537	306
45	396	343	413	470	499	321
55	249	254	339	369	399	287
65	126	172	235	265	293	218
75	67	86	141	131	145	126
85	28	44	72	85	92	72
90	8	35	58	74	76	
95	108	159	225	208	237	223
105	482	644	720	688	729	700
115	890	1074	1253	1226	1263	1142
125	1275	1402	1625	1711	1759	1394
135	1616	1688	1896	2005	2048	1431
145	1907	1941	2063	2179	2226	1290
155	2135	2151	2205	2256	2282	1018
165	2292	2299	2315	2324	2335	654
175	2376	2380	2383	2381	2383	231
180	2390	2390	2390	2390	2390	



Coefficients of Utilization (%)

Ceiling:	80					70					50					0				
	70	50	30	10		70	50	30	10		70	50	30	10		70	50	30	10	
0 RCR	84	84	84	84	84	74	74	74	55	55	55	55	15							
1	76	72	69	66	67	64	61	48	46	45	13									
2	69	63	58	54	61	56	52	42	39	37	10									
3	63	55	49	45	55	49	44	37	33	31	9									
4	57	49	42	38	50	43	38	33	29	26	7									
5	53	43	37	32	46	38	33	29	25	22	6									
6	48	39	32	27	42	34	29	26	22	19	6									
7	44	35	28	24	39	31	25	23	19	17	5									
8	41	31	25	21	36	28	22	21	17	15	4									
9	38	28	22	18	33	25	20	19	15	13	4									
10	35	26	20	16	31	23	18	18	14	11	3									

Based on a floor reflectance of 0.2

Avg. Luminance (cd/m²)

Vertical Angle	Horizontal Angle		
	0	45	90
55	1769	1762	1866
65	1215	1461	1588
75	1055	1133	969
85	1309	855	834

IES files for this and other photometric options can be downloaded online at www.ledalite.com

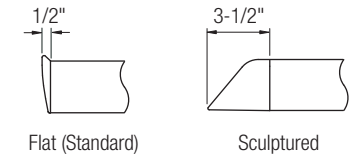
Additional Information

Modules

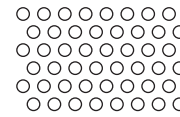
Module length excludes endcaps.
Nominal mount spacing for individually mounted modules.

Module	Mount Spacing
4ft	4' 0"
8ft	8' 0"
12ft	12' 0"

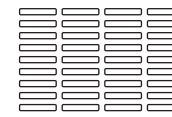
Endcap



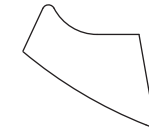
Lower Optics



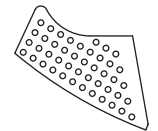
Round Perf Housing



Slot Perf Housing

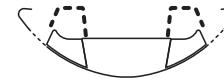


Solid Baffle



Round Perf Baffle

Upper Optics



D Down Kit



Y Lamp Separator

Specifications

Due to continuing product improvements, Ledalite reserves the right to change specifications without notice.

Housing

Die-formed 20 gauge cold-rolled steel.

Weight

3.0 lb/ft.

Optical System

Direct/Indirect: Constructed of 96% reflective white steel to produce a direct/indirect distribution. Baffles are white blades spaced 2-7/16" apart and are 3/4" deep (18 cells per 4ft section). Perforation of baffles and housing is optional. Perforated housing options include acrylic overlay. Optional field-installable Variable Optics kits provide additional downlight as required.

Semi-Indirect: Constructed of 96% reflective white steel with perforated housing and acrylic overlay to produce a semi-indirect distribution. Perforated housing available in round or slot perforation patterns.

Indirect: Constructed of 96% reflective white steel to produce an indirect distribution.

High performance options use additional highly-specular aluminum reflectors.

Endcaps

Die-cast endcap or optional die-cast sculptured endcap.

Joints

Self-aligning joining system with hands-free pre-joining wire access.

Mounting

Aircraft cable gripper is tamper-resistant and provides infinite vertical adjustment capability. Aircraft cable, crimp and cable gripper independently tested to meet stringent safety requirements.

Electrical

Factory pre-wired to section ends with quick-wire connectors.

Ballast

Electronic.

Approvals

Certified to UL and CSA standards.

Finish

High-quality powder coat. Available in Ledalite Standard White (textured matte finish), and a selection of other factory and customer-specified colors. Consult factory for details.