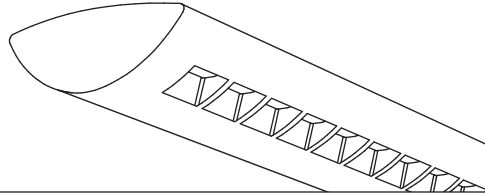


Suspended  
Direct/Indirect  
4 T8 - Solid Housing



Project Name

Spec Type

Notes




## Order Guide

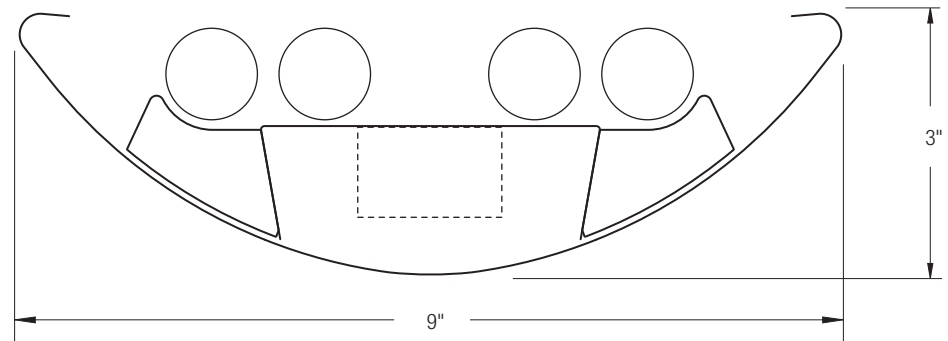
Some combinations of product options may not be available. Consult factory for assistance with your specification.

<b>9506</b>	<b>T04</b>	<input type="text"/>	<input type="text"/>	-	<input type="text"/>	-	<input type="text"/>	-	<input type="text"/>	-	<input type="text"/>
Product Series & Type Centris Direct/Indirect	Lamping 4 T8	Lower Optics <b>C</b> Solid Baffle <b>R</b> Round Perf Baffle	Upper Optics <b>N</b> None <b>D</b> Down Kit <b>Y</b> Lamp Separator	Run Length <i>Enter the total run length in feet (4ft increments)</i>	Wiring <b>1</b> 1 cct <b>2</b> 2 cct <b>3</b> 1 cct w/ Emergency cct <b>4</b> 2 cct w/ Emergency cct <b>5</b> 1 cct w/ Battery Pack <b>6</b> 2 cct w/ Battery Pack <b>7</b> 1 cct Dimming	Voltage <b>1</b> 120V <b>2</b> 277V <b>3</b> 347V	Ballast <b>E</b> Standard Ballast  Consult website for ballast manufacturer information	Color & Finish <b>W</b> Standard White <b>C</b> Factory Color <b>X</b> Custom Color  Consult website for color and finish options	<b>Mounting Hardware</b> <input type="text"/> <input type="text"/> <b>Mount Type</b> <input type="text"/> <b>Suspension Length</b> <input type="text"/> <i>Enter distance from ceiling to top of fixture in inches</i> Consult separate mounting spec sheet for mount type options		
		See details on reverse	See details on reverse	See details on reverse	Consult website for complete list of standard wiring options						

## Upgrades & Accessories

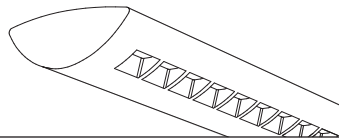
Please indicate with check mark.

<input type="checkbox"/> Lamps Included	<input type="checkbox"/> Lamps Included and Installed
<input type="checkbox"/> Sculptured Endcap See details on reverse	<input type="checkbox"/> Dust Cover 
<input type="checkbox"/> Response Daylight (Integrated Controls) For details visit <a href="http://www.ledalite.com/response">www.ledalite.com/response</a>	



# Centris®

Suspended  
Direct/Indirect  
4 T8 - Solid Housing



## Photometry Optics RY Round Perf Baffle w/ Lamp Separator

### Report Summary

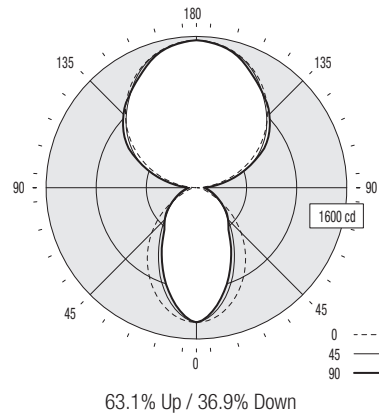
**Report #** 2101598  
**Filename** 9506T04CY-RY.ies  
**Efficiency** 61.6%

**Peak Candela Value\*** 1560 @ 180°  
**Peak to Zenith Ratio\*** 1 : 1

\* Between 90-180° vertical angle

### Candela Distribution

Vertical Angle	Horizontal Angle					Zonal Lumens
	0	22.5	45	67.5	90	
0	1425	1425	1425	1425	1425	
5	1411	1400	1384	1363	1367	131
15	1305	1254	1197	1131	1136	335
25	1129	1033	939	861	867	439
35	912	786	685	607	611	445
45	672	550	475	459	475	398
55	423	339	344	340	355	316
65	193	204	223	223	244	217
75	89	98	136	148	164	137
85	27	51	86	102	111	85
90	5	39	70	88	96	
95	77	97	153	151	170	152
105	339	353	410	392	419	404
115	603	595	681	667	690	639
125	848	817	882	907	934	781
135	1068	1036	1058	1081	1097	820
145	1253	1233	1222	1216	1226	768
155	1398	1385	1386	1354	1354	634
165	1499	1489	1493	1484	1485	420
175	1552	1549	1551	1544	1545	150
180	1560	1560	1560	1560	1560	



### Coefficients of Utilization (%)

Ceiling: Walk:	80				70				50				0			
	70	50	30	10	70	50	30	10	50	30	10	0	70	50	30	10
0 RCR	63	63	63	63	57	57	57	46	46	46	21					
1	58	55	53	51	52	50	48	40	39	37	17					
2	53	48	45	42	47	44	41	35	33	31	15					
3	48	43	38	35	43	39	35	31	29	26	13					
4	44	38	33	30	40	34	30	28	25	23	11					
5	41	34	29	25	36	31	27	25	22	20	10					
6	37	30	25	22	34	28	23	22	19	17	9					
7	35	27	23	19	31	25	21	20	17	15	8					
8	32	25	20	17	29	23	19	19	16	13	7					
9	30	23	18	15	27	21	17	17	14	12	6					
10	28	21	16	14	25	19	15	16	13	11	6					

Based on a floor reflectance of 0.2

### Avg. Luminance (cd/m²)

Vertical Angle	Horizontal Angle		
	0	45	90
55	3006	1788	1660
65	1861	1386	1322
75	1402	1093	1096
85	1263	1021	1007

IES files for this and other photometric options can be downloaded online at [www.ledalite.com](http://www.ledalite.com)

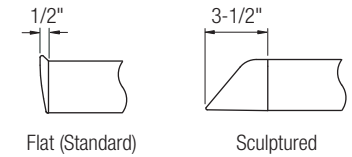
## Additional Information

### Modules

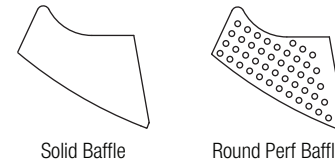
Module length excludes endcaps.  
Nominal mount spacing for individually mounted modules.

Module	Mount Spacing
4ft	4' 0"
8ft	8' 0"
12ft	12' 0"

### Endcap



### Lower Optics



### Upper Optics



## Specifications

Due to continuing product improvements, Ledalite reserves the right to change specifications without notice.

### Housing

Die-formed 20 gauge cold-rolled steel.

### Weight

3.0 lb/ft.

### Optical System

Direct/Indirect: Constructed of 96% reflective white steel to produce a direct/indirect distribution. Baffles are white blades spaced 2-7/16" apart and are 3/4" deep (18 cells per 4ft section). Perforation of baffles and housing is optional. Perforated housing options include acrylic overlay. Optional field-installable Variable Optics kits provide additional downlight as required.

Semi-Indirect: Constructed of 96% reflective white steel with perforated housing and acrylic overlay to produce a semi-indirect distribution. Perforated housing available in round or slot perforation patterns.

Indirect: Constructed of 96% reflective white steel to produce an indirect distribution.

High performance options use additional highly-specular aluminum reflectors.

### Endcaps

Die-cast endcap or optional die-cast sculptured endcap.

### Joints

Self-aligning joining system with hands-free pre-joining wire access.

### Mounting

Aircraft cable gripper is tamper-resistant and provides infinite vertical adjustment capability. Aircraft cable, crimp and cable gripper independently tested to meet stringent safety requirements.

### Electrical

Factory pre-wired to section ends with quick-wire connectors.

### Ballast

Electronic.

### Approvals

Certified to UL and CSA standards.

### Finish

High-quality powder coat. Available in Ledalite Standard White (textured matte finish), and a selection of other factory and customer-specified colors. Consult factory for details.