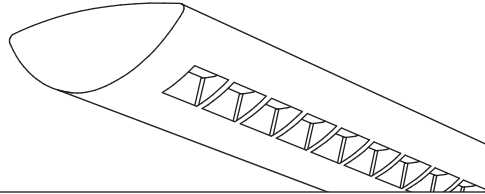


Suspended
 Direct/Indirect
 4 T8 - Solid Housing



Project Name

Spec Type

Notes




Order Guide

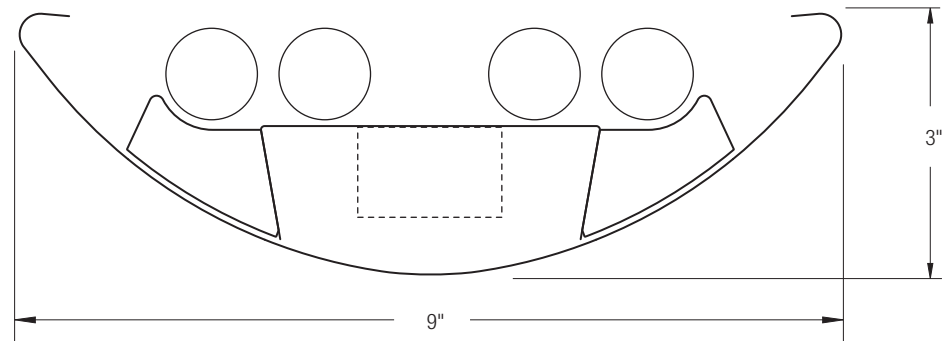
Some combinations of product options may not be available. Consult factory for assistance with your specification.

9506	T04	<input type="text"/>	<input type="text"/>	-	<input type="text"/>	-	<input type="text"/>	-	<input type="text"/>	-	<input type="text"/>
Product Series & Type Centris Direct/Indirect	Lamping 4 T8	Lower Optics C Solid Baffle R Round Perf Baffle	Upper Optics N None D Down Kit Y Lamp Separator	Run Length <i>Enter the total run length in feet (4ft increments)</i>	Wiring 1 1 cct 2 2 cct 3 1 cct w/ Emergency cct 4 2 cct w/ Emergency cct 5 1 cct w/ Battery Pack 6 2 cct w/ Battery Pack 7 1 cct Dimming	Voltage 1 120V 2 277V 3 347V	Ballast E Standard Ballast Consult website for ballast manufacturer information	Color & Finish W Standard White C Factory Color X Custom Color Consult website for color and finish options			
Mounting Hardware											
						<input type="text"/>		<input type="text"/>			
						Mount Type Consult separate mounting spec sheet for mount type options			Suspension Length <i>Enter distance from ceiling to top of fixture in inches</i>		

Upgrades & Accessories

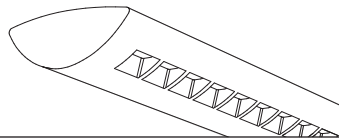
Please indicate with check mark.

<input type="checkbox"/> Lamps Included	<input type="checkbox"/> Lamps Included and Installed
<input type="checkbox"/> Sculptured Endcap See details on reverse	<input type="checkbox"/> Dust Cover 
<input type="checkbox"/> Response Daylight (Integrated Controls) For details visit www.ledalite.com/response	



Centris®

Suspended
Direct/Indirect
4 T8 - Solid Housing



Photometry Optics RN Round Perf Baffle

Report Summary

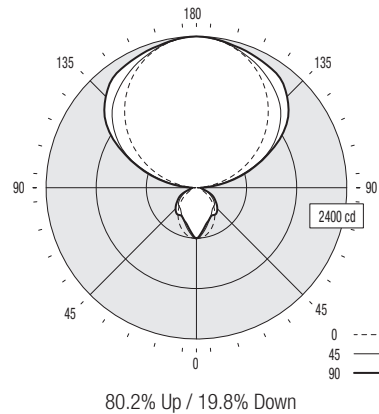
Report # 2101582
Filename 9506T04CN-RN.ies
Efficiency 82.9%

Peak Candela Value* 2401 @ 180°
Peak to Zenith Ratio* 1 : 1

* Between 90-180° vertical angle

Candela Distribution

Vertical Angle	Horizontal Angle					Zonal Lumens
	0	22.5	45	67.5	90	
0	808	808	808	808	808	
5	800	789	768	740	742	71
15	739	681	634	600	598	182
25	638	551	521	518	522	250
35	513	426	436	495	521	294
45	376	327	402	453	471	309
55	237	247	329	355	373	277
65	118	171	226	259	273	210
75	66	84	133	117	119	118
85	29	45	67	73	77	66
90	10	34	51	61	65	
95	116	148	205	182	251	212
105	482	628	698	661	746	685
115	889	1047	1230	1205	1262	1125
125	1275	1380	1606	1697	1755	1381
135	1619	1667	1881	1994	2046	1422
145	1912	1925	2053	2172	2220	1285
155	2143	2141	2197	2251	2279	1015
165	2302	2297	2310	2321	2332	654
175	2387	2386	2387	2386	2389	231
180	2401	2401	2401	2401	2401	



Coefficients of Utilization (%)

Ceiling:	80					70					50					0				
	70	50	30	10		70	50	30	10		70	50	30	10		70	50	30	10	
0 RCR	82	82	82	82	82	72	72	72	54	54	54	15								
1	75	71	68	65	66	63	60	47	45	44	12									
2	68	62	57	53	60	55	51	41	38	36	10									
3	62	54	49	44	54	48	43	36	33	30	8									
4	56	48	42	37	49	42	37	32	28	25	7									
5	52	42	36	31	45	38	32	28	25	22	6									
6	47	38	31	27	41	34	28	25	22	19	5									
7	44	34	28	23	38	30	25	23	19	16	5									
8	40	31	25	20	35	27	22	21	17	14	4									
9	37	28	22	18	33	25	20	19	15	13	4									
10	35	25	20	16	31	22	18	17	14	11	3									

Based on a floor reflectance of 0.2

Avg. Luminance (cd/m²)

Vertical Angle	Horizontal Angle		
	0	45	90
55	1684	1710	1745
65	1138	1405	1479
75	1039	1069	795
85	1356	795	698

IES files for this and other photometric options can be downloaded online at www.ledalite.com

Additional Information

Modules

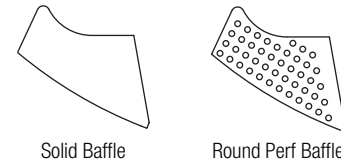
Module length excludes endcaps.
Nominal mount spacing for individually mounted modules.

Module	Mount Spacing
4ft	4' 0"
8ft	8' 0"
12ft	12' 0"

Endcap



Lower Optics



Upper Optics



Specifications

Due to continuing product improvements, Ledalite reserves the right to change specifications without notice.

Housing

Die-formed 20 gauge cold-rolled steel.

Weight

3.0 lb/ft.

Optical System

Direct/Indirect: Constructed of 96% reflective white steel to produce a direct/indirect distribution. Baffles are white blades spaced 2-7/16" apart and are 3/4" deep (18 cells per 4ft section). Perforation of baffles and housing is optional. Perforated housing options include acrylic overlay. Optional field-installable Variable Optics kits provide additional downlight as required.

Semi-Indirect: Constructed of 96% reflective white steel with perforated housing and acrylic overlay to produce a semi-indirect distribution. Perforated housing available in round or slot perforation patterns.

Indirect: Constructed of 96% reflective white steel to produce an indirect distribution.

High performance options use additional highly-specular aluminum reflectors.

Endcaps

Die-cast endcap or optional die-cast sculptured endcap.

Joints

Self-aligning joining system with hands-free pre-joining wire access.

Mounting

Aircraft cable gripper is tamper-resistant and provides infinite vertical adjustment capability. Aircraft cable, crimp and cable gripper independently tested to meet stringent safety requirements.

Electrical

Factory pre-wired to section ends with quick-wire connectors.

Ballast

Electronic.

Approvals

Certified to UL and CSA standards.

Finish

High-quality powder coat. Available in Ledalite Standard White (textured matte finish), and a selection of other factory and customer-specified colors. Consult factory for details.