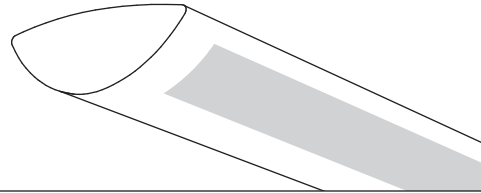


# Centris®



Suspended  
Semi-Indirect  
4 T8



Project Name

Spec Type

Notes


## Order Guide

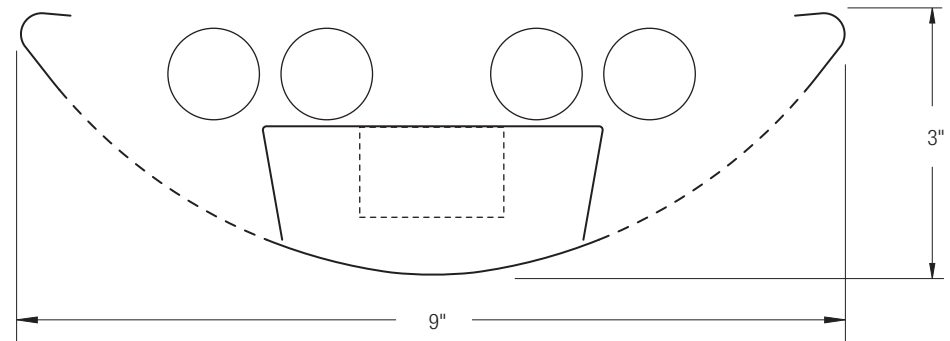
Some combinations of product options may not be available. Consult factory for assistance with your specification.

<b>9505</b>	<b>T04</b>	<input type="text"/>	<input type="text"/>	-	<input type="text"/>	-	<input type="text"/>	-	<input type="text"/>	-	<input type="text"/>				
Product Series & Type Centris Semi-Indirect	Lamping 4 T8	Lower Optics L Round Perf Housing I Slot Perf Housing	Upper Optics N None	Run Length <i>Enter the total run length in feet (4ft increments)</i>	Wiring 1 1 cct 2 2 cct 3 1 cct w/ Emergency cct 4 2 cct w/ Emergency cct 5 1 cct w/ Battery Pack 6 2 cct w/ Battery Pack 7 1 cct Dimming	Voltage 1 120V 2 277V 3 347V	Ballast E Standard Ballast  Consult website for ballast manufacturer information	Color & Finish W Standard White C Factory Color X Custom Color  Consult website for color and finish options							
		See details on reverse	See details on reverse	See details on reverse	Consult website for complete list of standard wiring options	<h3>Mounting Hardware</h3> <table border="1"> <tr> <td><input type="text"/></td> <td><input type="text"/></td> </tr> <tr> <td>Mount Type Consult separate mounting spec sheet for mount type options</td> <td>Suspension Length <i>Enter distance from ceiling to top of fixture in inches</i></td> </tr> </table>						<input type="text"/>	<input type="text"/>	Mount Type Consult separate mounting spec sheet for mount type options	Suspension Length <i>Enter distance from ceiling to top of fixture in inches</i>
<input type="text"/>	<input type="text"/>														
Mount Type Consult separate mounting spec sheet for mount type options	Suspension Length <i>Enter distance from ceiling to top of fixture in inches</i>														

## Upgrades & Accessories

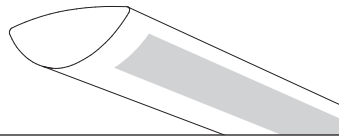
Please indicate with check mark.

<input type="checkbox"/> Lamps Included	<input type="checkbox"/> Lamps Included and Installed
<input type="checkbox"/> Sculptured Endcap See details on reverse	<input type="checkbox"/> Dust Cover 
<input type="checkbox"/> Response Daylight (Integrated Controls) For details visit <a href="http://www.ledalite.com/response">www.ledalite.com/response</a>	



# Centris®

Suspended  
Semi-Indirect  
4 TB



## Photometry Optics LN Round Perf Housing

### Report Summary

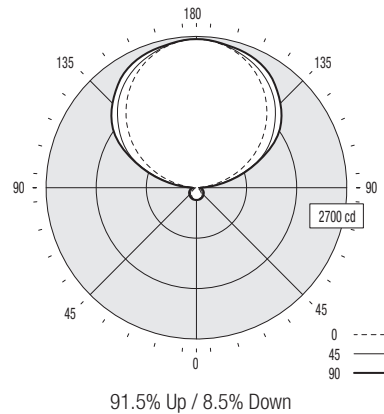
Report # 2101585  
Filename 9505T04LN.ies  
Efficiency 79.2%

Peak Candela Value\* 2652 @ 178°  
Peak to Zenith Ratio\* 1 : 1

\* Between 90-180° vertical angle

### Candela Distribution

Vertical Angle	Horizontal Angle					Zonal Lumens
	0	22.5	45	67.5	90	
0	218	218	218	218	218	
5	216	216	217	217	217	21
15	205	204	211	214	217	60
25	183	184	197	203	209	90
35	153	155	173	188	197	108
45	116	125	150	167	179	114
55	77	92	126	149	161	109
65	43	64	101	124	139	95
75	28	39	73	97	111	73
85	15	22	47	69	81	51
90	7	19	38	58	70	
95	103	150	210	209	255	220
105	524	652	731	718	768	724
115	981	1094	1288	1289	1329	1191
125	1411	1497	1675	1774	1831	1464
135	1786	1839	2003	2082	2131	1521
145	2109	2132	2261	2339	2375	1404
155	2364	2367	2439	2496	2523	1123
165	2542	2541	2558	2578	2591	724
175	2637	2638	2642	2640	2643	255
180	2652	2652	2652	2652	2652	



### Coefficients of Utilization (%)

Ceiling: Wall:	80				70				50				0
	70	50	30	10	70	50	30	10	50	30	10	0	
0 RCR	77	77	77	77	66	66	66	47	47	47	6		
1	69	66	63	61	60	57	55	41	39	38	4		
2	63	57	53	49	54	50	46	35	33	31	3		
3	57	50	45	41	49	44	39	31	28	26	3		
4	52	44	38	34	45	38	34	27	24	22	2		
5	48	39	33	29	41	34	29	24	21	18	2		
6	44	35	29	25	38	30	25	22	18	16	2		
7	40	31	25	21	35	27	22	19	16	14	1		
8	37	28	22	18	32	24	20	17	14	12	1		
9	34	25	20	16	30	22	17	16	13	10	1		
10	32	23	18	14	27	20	15	14	11	9	1		

Based on a floor reflectance of 0.2

### Avg. Luminance (cd/m²)

Vertical Angle	Horizontal Angle		
	0	45	90
55	547	655	753
65	415	628	753
75	441	587	742
85	701	558	735

IES files for this and other photometric options can be downloaded online at [www.ledalite.com](http://www.ledalite.com)

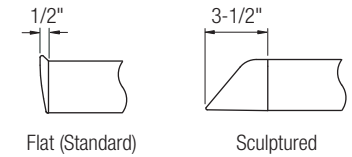
## Additional Information

### Modules

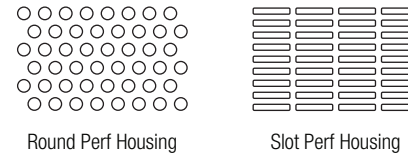
Module length excludes endcaps.  
Nominal mount spacing for individually mounted modules.

Module	Mount Spacing
4ft	4' 0"
8ft	8' 0"
12ft	12' 0"

### Endcap



### Lower Optics



## Specifications

Due to continuing product improvements, Ledalite reserves the right to change specifications without notice.

### Housing

Die-formed 20 gauge cold-rolled steel.

### Weight

3.0 lb/ft.

### Optical System

Direct/Indirect: Constructed of 96% reflective white steel to produce a direct/indirect distribution. Baffles are white blades spaced 2-7/16" apart and are 3/4" deep (18 cells per 4ft section). Perforation of baffles and housing is optional. Perforated housing options include acrylic overlay. Optional field-installable Variable Optics kits provide additional downlight as required.

Semi-Indirect: Constructed of 96% reflective white steel with perforated housing and acrylic overlay to produce a semi-indirect distribution. Perforated housing available in round or slot perforation patterns.

Indirect: Constructed of 96% reflective white steel to produce an indirect distribution.

High performance options use additional highly-specular aluminum reflectors.

### Endcaps

Die-cast endcap or optional die-cast sculptured endcap.

### Joints

Self-aligning joining system with hands-free pre-joining wire access.

### Mounting

Aircraft cable gripper is tamper-resistant and provides infinite vertical adjustment capability. Aircraft cable, crimp and cable gripper independently tested to meet stringent safety requirements.

### Electrical

Factory pre-wired to section ends with quick-wire connectors.

### Ballast

Electronic.

### Approvals

Certified to UL and CSA standards.

### Finish

High-quality powder coat. Available in Ledalite Standard White (textured matte finish), and a selection of other factory and customer-specified colors. Consult factory for details.