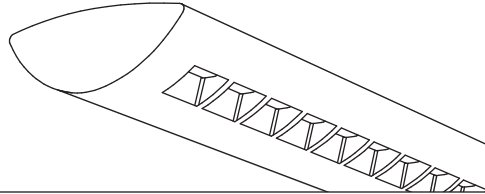


Suspended  
 Direct/Indirect  
 4 T8 - Solid Housing



Project Name

Spec Type

Notes




## Order Guide

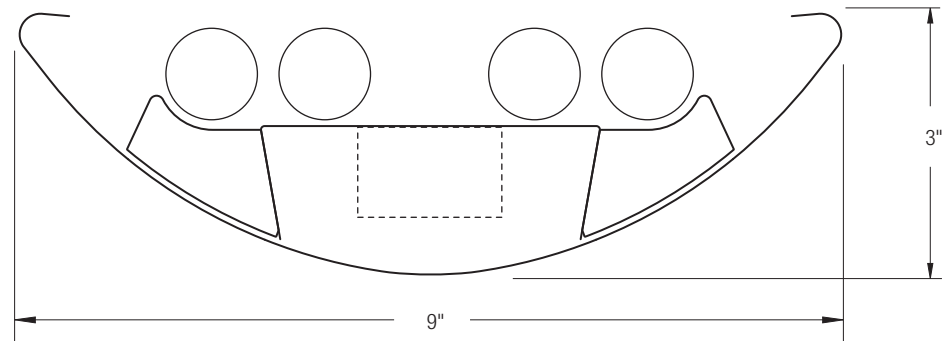
Some combinations of product options may not be available. Consult factory for assistance with your specification.

9506	T04			-		-		-			
Product Series & Type Centris Direct/Indirect	Lamping 4 T8	Lower Optics <b>C</b> Solid Baffle <b>R</b> Round Perf Baffle	Upper Optics <b>N</b> None <b>D</b> Down Kit <b>Y</b> Lamp Separator	Run Length <i>Enter the total run length in feet (4ft increments)</i>	Wiring <b>1</b> 1 cct <b>2</b> 2 cct <b>3</b> 1 cct w/ Emergency cct <b>4</b> 2 cct w/ Emergency cct <b>5</b> 1 cct w/ Battery Pack <b>6</b> 2 cct w/ Battery Pack <b>7</b> 1 cct Dimming	Voltage <b>1</b> 120V <b>2</b> 277V <b>3</b> 347V	Ballast <b>E</b> Standard Ballast  Consult website for ballast manufacturer information	Color & Finish <b>W</b> Standard White <b>C</b> Factory Color <b>X</b> Custom Color  Consult website for color and finish options	<b>Mounting Hardware</b> <input type="text"/> <input type="text"/> <b>Mount Type</b> <input type="text"/> <b>Suspension Length</b> <input type="text"/> Consult separate mounting spec sheet for mount type options <i>Enter distance from ceiling to top of fixture in inches</i>		
		See details on reverse	See details on reverse	See details on reverse	Consult website for complete list of standard wiring options						

## Upgrades & Accessories

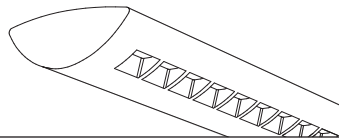
Please indicate with check mark.

<input type="checkbox"/> Lamps Included	<input type="checkbox"/> Lamps Included and Installed
<input type="checkbox"/> Sculptured Endcap See details on reverse	<input type="checkbox"/> Dust Cover 
<input type="checkbox"/> Response Daylight (Integrated Controls) For details visit <a href="http://www.ledalite.com/response">www.ledalite.com/response</a>	



# Centris®

Suspended  
Direct/Indirect  
4 T8 - Solid Housing



## Photometry Optics CD Solid Baffle w/ Down Kit

### Report Summary

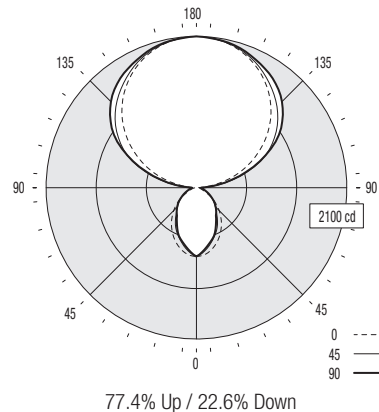
Report # 9900056  
Filename 9506T04CD-RD.ies  
Efficiency 74.9%

Peak Candela Value\* 2101 @ 180°  
Peak to Zenith Ratio\* 1 : 1

\* Between 90-180° vertical angle

### Candela Distribution

Vertical Angle	Horizontal Angle					Zonal Lumens
	0	22.5	45	67.5	90	
0	955	955	955	955	955	
5	945	931	913	898	898	87
15	873	824	790	774	772	225
25	754	683	661	638	632	306
35	609	540	508	479	474	324
45	450	402	372	376	381	302
55	283	266	274	274	278	246
65	132	166	176	177	183	169
75	65	82	102	107	111	102
85	24	43	63	71	74	62
90	6	35	56	66	64	
95	113	167	213	208	200	214
105	469	583	650	624	621	632
115	839	930	1068	1063	1065	990
125	1176	1221	1361	1423	1445	1186
135	1473	1488	1591	1665	1689	1220
145	1714	1718	1773	1831	1855	1112
155	1900	1898	1931	1948	1961	888
165	2027	2022	2036	2043	2048	574
175	2092	2092	2090	2087	2088	201
180	2101	2101	2101	2101	2101	



### Coefficients of Utilization (%)

Ceiling: Walk:	80				70				50				0
	70	50	30	10	70	50	30	10	50	30	10	0	
0 RCR	75	75	75	75	66	66	66	66	50	50	50	15	
1	68	65	62	60	60	57	55	43	42	41	13		
2	62	57	52	49	55	50	47	38	36	34	11		
3	56	50	45	41	50	44	40	34	31	28	9		
4	52	44	38	34	45	39	34	30	27	24	8		
5	47	39	33	29	42	35	30	27	23	21	7		
6	43	35	29	25	38	31	26	24	20	18	6		
7	40	31	26	22	35	28	23	22	18	16	5		
8	37	28	23	19	33	25	21	20	16	14	5		
9	34	26	20	17	30	23	18	18	14	12	4		
10	32	23	18	15	28	21	17	16	13	11	4		

Based on a floor reflectance of 0.2

### Avg. Luminance (cd/m²)

Vertical Angle	Horizontal Angle		
	0	45	90
55	2011	1424	1300
65	1273	1094	992
75	1024	820	742
85	1122	748	671

IES files for this and other photometric options can be downloaded online at [www.ledalite.com](http://www.ledalite.com)

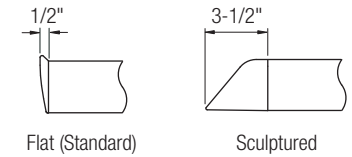
## Additional Information

### Modules

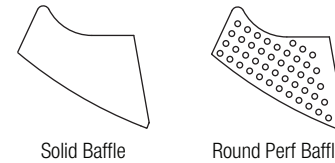
Module length excludes endcaps.  
Nominal mount spacing for individually mounted modules.

Module	Mount Spacing
4ft	4' 0"
8ft	8' 0"
12ft	12' 0"

### Endcap



### Lower Optics



### Upper Optics



## Specifications

Due to continuing product improvements, Ledalite reserves the right to change specifications without notice.

### Housing

Die-formed 20 gauge cold-rolled steel.

### Weight

3.0 lb/ft.

### Optical System

Direct/Indirect: Constructed of 96% reflective white steel to produce a direct/indirect distribution. Baffles are white blades spaced 2-7/16" apart and are 3/4" deep (18 cells per 4ft section). Perforation of baffles and housing is optional. Perforated housing options include acrylic overlay. Optional field-installable Variable Optics kits provide additional downlight as required.

Semi-Indirect: Constructed of 96% reflective white steel with perforated housing and acrylic overlay to produce a semi-indirect distribution. Perforated housing available in round or slot perforation patterns.

Indirect: Constructed of 96% reflective white steel to produce an indirect distribution.

High performance options use additional highly-specular aluminum reflectors.

### Endcaps

Die-cast endcap or optional die-cast sculptured endcap.

### Joints

Self-aligning joining system with hands-free pre-joining wire access.

### Mounting

Aircraft cable gripper is tamper-resistant and provides infinite vertical adjustment capability. Aircraft cable, crimp and cable gripper independently tested to meet stringent safety requirements.

### Electrical

Factory pre-wired to section ends with quick-wire connectors.

### Ballast

Electronic.

### Approvals

Certified to UL and CSA standards.

### Finish

High-quality powder coat. Available in Ledalite Standard White (textured matte finish), and a selection of other factory and customer-specified colors. Consult factory for details.