

# Centris®



Suspended  
 Direct/Indirect  
 4 T5HO - Perf Housing



Project Name

Spec Type

Notes



## Order Guide

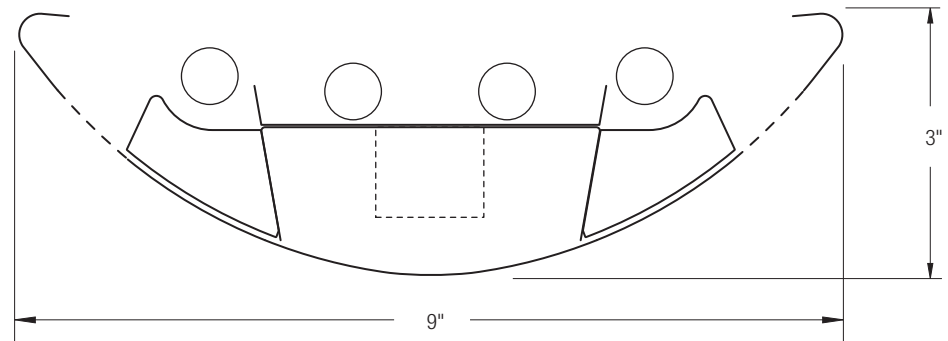
Some combinations of product options may not be available. Consult factory for assistance with your specification.

<b>9506</b>	<b>H04</b>			-		-		-		
<b>Product Series &amp; Type</b> Centris Direct/Indirect	<b>Lamping</b> 4 T5HO	<b>Lower Optics</b> <b>M</b> Round Perf Housing / Solid Baffle <b>T</b> Round Perf Housing / Round Perf Baffle <b>U</b> Slot Perf Housing / Solid Baffle <b>Z</b> Slot Perf Housing / Round Perf Baffle  See details on reverse	<b>Upper Optics</b> <b>N</b> None <b>D</b> Down Kit <b>Y</b> Lamp Separator  See details on reverse	<b>Run Length</b> <i>Enter the total run length in feet (4ft increments)</i>  See details on reverse	<b>Wiring</b> <b>1</b> 1 cct <b>2</b> 2 cct <b>3</b> 1 cct w/ Emergency cct <b>4</b> 2 cct w/ Emergency cct <b>5</b> 1 cct w/ Battery Pack <b>6</b> 2 cct w/ Battery Pack <b>7</b> 1 cct Dimming  Consult website for complete list of standard wiring options	<b>Voltage</b> <b>1</b> 120V <b>2</b> 277V <b>3</b> 347V	<b>Ballast</b> <b>E</b> Standard Ballast  Consult website for ballast manufacturer information	<b>Color &amp; Finish</b> <b>W</b> Standard White <b>C</b> Factory Color <b>X</b> Custom Color  Consult website for color and finish options		
									<b>Mounting Hardware</b>	
									<input type="text"/>	<input type="text"/>
									<b>Mount Type</b> Consult separate mounting spec sheet for mount type options	<b>Suspension Length</b> <i>Enter distance from ceiling to top of fixture in inches</i>

## Upgrades & Accessories

Please indicate with check mark.

<input type="checkbox"/> Lamps Included	<input checked="" type="checkbox"/> Lamps Included and Installed
<input type="checkbox"/> Sculptured Endcap See details on reverse	
<input type="checkbox"/> Response Daylight (Integrated Controls) For details visit <a href="http://www.ledalite.com/response">www.ledalite.com/response</a>	



# Centris®

Suspended  
Direct/Indirect  
4 T5HO - Perf Housing



## Photometry Optics ZN Slot Perf Housing / Round Perf Baffle

### Report Summary

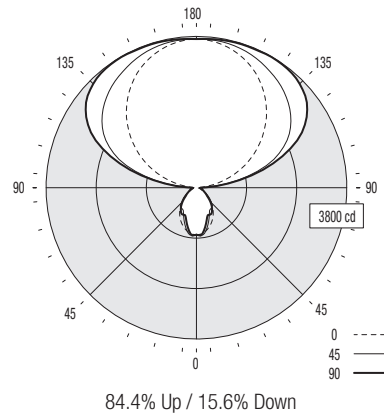
Report # 2101638  
Filename 9506H04UN-ZN.ies  
Efficiency 89.4%

Peak Candela Value\* 3793 @ 150°  
Peak to Zenith Ratio\* 1 : 1

\* Between 90-180° vertical angle

### Candela Distribution

Vertical Angle	Horizontal Angle					Zonal Lumens
	0	22.5	45	67.5	90	
0	1181	1181	1181	1181	1181	1181
5	1172	1174	1193	1209	1209	113
15	1081	1112	1040	963	935	287
25	929	895	769	728	750	375
35	740	658	640	693	688	422
45	535	466	533	512	496	390
55	328	360	353	309	309	300
65	156	216	204	200	204	200
75	86	96	123	144	150	129
85	33	50	83	101	107	85
90	9	50	72	92	99	
95	147	344	475	460	535	471
105	727	1264	1598	1669	1741	1508
115	1370	1864	2432	2719	2809	2238
125	1955	2316	2915	3298	3417	2505
135	2502	2736	3213	3575	3689	2436
145	2958	3114	3421	3691	3781	2130
155	3325	3413	3583	3723	3780	1648
165	3575	3616	3693	3755	3778	1042
175	3713	3719	3733	3745	3749	362
180	3735	3735	3735	3735	3735	



### Coefficients of Utilization (%)

Ceiling:	80				70				50				0
	70	50	30	10	70	50	30	10	50	30	10	0	
0 RCR	88	88	88	88	77	77	77	56	56	56	12		
1	80	76	73	70	70	67	64	49	47	46	10		
2	73	67	61	57	63	58	54	43	40	38	8		
3	66	58	52	47	58	51	46	38	34	32	7		
4	61	52	45	40	53	45	40	33	30	27	6		
5	55	46	39	34	48	40	35	30	26	23	5		
6	51	41	34	29	44	36	30	27	23	20	5		
7	47	37	30	25	41	32	27	24	20	17	4		
8	43	33	27	22	38	29	24	22	18	15	4		
9	40	30	24	19	35	26	21	20	16	13	3		
10	37	27	21	17	33	24	19	18	14	12	3		

Based on a floor reflectance of 0.2

### Avg. Luminance (cd/m<sup>2</sup>)

Vertical Angle	Horizontal Angle		
	0	45	90
55	2331	1835	1445
65	1504	1268	1105
75	1354	988	1002
85	1543	985	970

IES files for this and other photometric options can be downloaded online at [www.ledalite.com](http://www.ledalite.com)

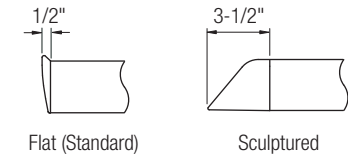
## Additional Information

### Modules

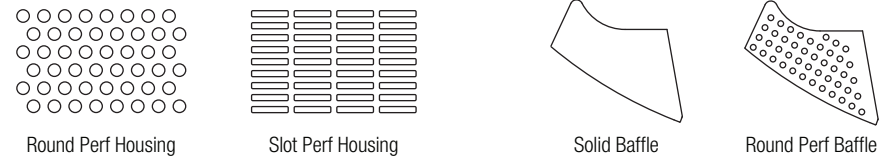
Module length excludes endcaps.  
Nominal mount spacing for individually mounted modules.

Module	Mount Spacing
4ft	4' 0"
8ft	8' 0"
12ft	12' 0"

### Endcap



### Lower Optics



### Upper Optics



## Specifications

Due to continuing product improvements, Ledalite reserves the right to change specifications without notice.

### Housing

Die-formed 20 gauge cold-rolled steel.

### Weight

3.0 lb/ft.

### Optical System

Direct/Indirect: Constructed of 96% reflective white steel to produce a direct/indirect distribution. Baffles are white blades spaced 2-7/16" apart and are 3/4" deep (18 cells per 4ft section). Perforation of baffles and housing is optional. Perforated housing options include acrylic overlay. Optional field-installable Variable Optics kits provide additional downlight as required.

Semi-Indirect: Constructed of 96% reflective white steel with perforated housing and acrylic overlay to produce a semi-indirect distribution. Perforated housing available in round or slot perforation patterns.

Indirect: Constructed of 96% reflective white steel to produce an indirect distribution.

High performance options use additional highly-specular aluminum reflectors.

### Endcaps

Die-cast endcap or optional die-cast sculptured endcap.

### Joints

Self-aligning joining system with hands-free pre-joining wire access.

### Mounting

Aircraft cable gripper is tamper-resistant and provides infinite vertical adjustment capability. Aircraft cable, crimp and cable gripper independently tested to meet stringent safety requirements.

### Electrical

Factory pre-wired to section ends with quick-wire connectors.

### Ballast

Electronic.

### Approvals

Certified to UL and CSA standards.

### Finish

High-quality powder coat. Available in Ledalite Standard White (textured matte finish), and a selection of other factory and customer-specified colors. Consult factory for details.