

Centris®



Suspended
 Direct/Indirect
 4 T5HO - Perf Housing



Project Name

Spec Type

Notes



Order Guide

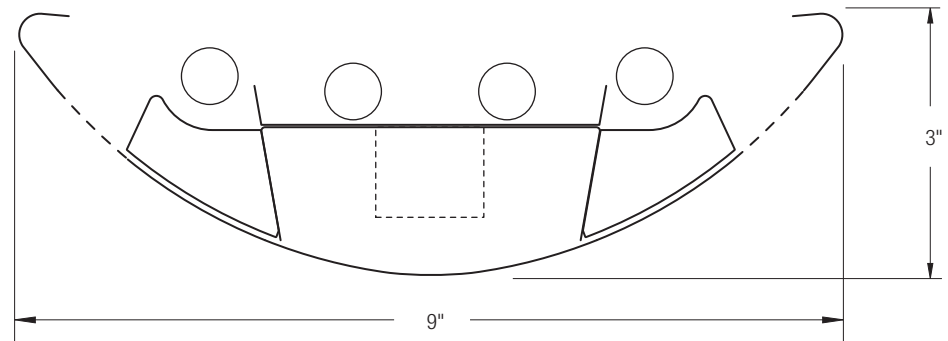
Some combinations of product options may not be available. Consult factory for assistance with your specification.

| | | | | | | | | | |
|---|--------------------------|---|--|--|---|---|---|---|--|
| 9506 | H04 | | | - | | - | | - | |
| Product Series & Type Centris Direct/Indirect | Lamping 4 T5HO | Lower Optics M Round Perf Housing / Solid Baffle T Round Perf Housing / Round Perf Baffle U Slot Perf Housing / Solid Baffle Z Slot Perf Housing / Round Perf Baffle See details on reverse | Upper Optics N None D Down Kit Y Lamp Separator See details on reverse | Run Length Enter the total run length in feet (4ft increments) See details on reverse | Wiring 1 1 cct 2 2 cct 3 1 cct w/ Emergency cct 4 2 cct w/ Emergency cct 5 1 cct w/ Battery Pack 6 2 cct w/ Battery Pack 7 1 cct Dimming Consult website for complete list of standard wiring options | Voltage 1 120V 2 277V 3 347V | Ballast E Standard Ballast Consult website for ballast manufacturer information | Color & Finish W Standard White C Factory Color X Custom Color Consult website for color and finish options | |
| Mounting Hardware | | | | | | | | | |
| | | | | | | | | | |
| Mount Type | | | | | Suspension Length | | | | |
| Consult separate mounting spec sheet for mount type options | | | | | Enter distance from ceiling to top of fixture in inches | | | | |

Upgrades & Accessories

Please indicate with check mark.

| | |
|--|--|
| <input type="checkbox"/> Lamps Included | <input checked="" type="checkbox"/> Lamps Included and Installed |
| <input type="checkbox"/> Sculptured Endcap See details on reverse | |
| <input type="checkbox"/> Response Daylight (Integrated Controls) For details visit www.ledalite.com/response | |



Centris®

Suspended
Direct/Indirect
4 T5HO - Perf Housing



Photometry Optics UN Slot Perf Housing / Solid Baffle

Report Summary

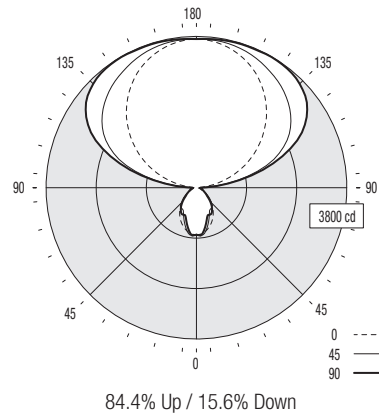
Report # 2101638
Filename 9506H04UN-ZN.ies
Efficiency 89.4%

Peak Candela Value* 3793 @ 150°
Peak to Zenith Ratio* 1 : 1

* Between 90-180° vertical angle

Candela Distribution

| Vertical Angle | Horizontal Angle | | | | | Zonal Lumens |
|----------------|------------------|------|------|------|------|--------------|
| | 0 | 22.5 | 45 | 67.5 | 90 | |
| 0 | 1181 | 1181 | 1181 | 1181 | 1181 | |
| 5 | 1172 | 1174 | 1193 | 1209 | 1209 | 113 |
| 15 | 1081 | 1112 | 1040 | 963 | 935 | 287 |
| 25 | 929 | 895 | 769 | 728 | 750 | 375 |
| 35 | 740 | 658 | 640 | 693 | 688 | 422 |
| 45 | 535 | 466 | 533 | 512 | 496 | 390 |
| 55 | 328 | 360 | 353 | 309 | 309 | 300 |
| 65 | 156 | 216 | 204 | 200 | 204 | 200 |
| 75 | 86 | 96 | 123 | 144 | 150 | 129 |
| 85 | 33 | 50 | 83 | 101 | 107 | 85 |
| 90 | 9 | 50 | 72 | 92 | 99 | |
| 95 | 147 | 344 | 475 | 460 | 535 | 471 |
| 105 | 727 | 1264 | 1598 | 1669 | 1741 | 1508 |
| 115 | 1370 | 1864 | 2432 | 2719 | 2809 | 2238 |
| 125 | 1955 | 2316 | 2915 | 3298 | 3417 | 2505 |
| 135 | 2502 | 2736 | 3213 | 3575 | 3689 | 2436 |
| 145 | 2958 | 3114 | 3421 | 3691 | 3781 | 2130 |
| 155 | 3325 | 3413 | 3583 | 3723 | 3780 | 1648 |
| 165 | 3575 | 3616 | 3693 | 3755 | 3778 | 1042 |
| 175 | 3713 | 3719 | 3733 | 3745 | 3749 | 362 |
| 180 | 3735 | 3735 | 3735 | 3735 | 3735 | |



Coefficients of Utilization (%)

| Ceiling: Wall: | 80 | | | | 70 | | | | 50 | | | | 0 |
|-------------------|----|----|----|----|----|----|----|----|----|----|----|---|---|
| | 70 | 50 | 30 | 10 | 70 | 50 | 30 | 10 | 50 | 30 | 10 | 0 | |
| 0 RCR | 88 | 88 | 88 | 88 | 77 | 77 | 77 | 56 | 56 | 56 | 12 | | |
| 1 | 80 | 76 | 73 | 70 | 70 | 67 | 64 | 49 | 47 | 46 | 10 | | |
| 2 | 73 | 67 | 61 | 57 | 63 | 58 | 54 | 43 | 40 | 38 | 8 | | |
| 3 | 66 | 58 | 52 | 47 | 58 | 51 | 46 | 38 | 34 | 32 | 7 | | |
| 4 | 61 | 52 | 45 | 40 | 53 | 45 | 40 | 33 | 30 | 27 | 6 | | |
| 5 | 55 | 46 | 39 | 34 | 48 | 40 | 35 | 30 | 26 | 23 | 5 | | |
| 6 | 51 | 41 | 34 | 29 | 44 | 36 | 30 | 27 | 23 | 20 | 5 | | |
| 7 | 47 | 37 | 30 | 25 | 41 | 32 | 27 | 24 | 20 | 17 | 4 | | |
| 8 | 43 | 33 | 27 | 22 | 38 | 29 | 24 | 22 | 18 | 15 | 4 | | |
| 9 | 40 | 30 | 24 | 19 | 35 | 26 | 21 | 20 | 16 | 13 | 3 | | |
| 10 | 37 | 27 | 21 | 17 | 33 | 24 | 19 | 18 | 14 | 12 | 3 | | |

Based on a floor reflectance of 0.2

Avg. Luminance (cd/m²)

| Vertical Angle | Horizontal Angle | | |
|----------------|------------------|------|------|
| | 0 | 45 | 90 |
| 55 | 2331 | 1835 | 1445 |
| 65 | 1504 | 1268 | 1105 |
| 75 | 1354 | 988 | 1002 |
| 85 | 1543 | 985 | 970 |

IES files for this and other photometric options can be downloaded online at www.ledalite.com

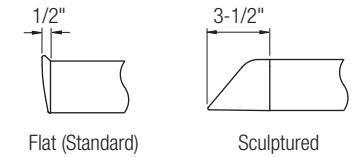
Additional Information

Modules

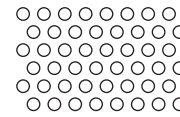
Module length excludes endcaps.
Nominal mount spacing for individually mounted modules.

| Module | Mount Spacing |
|--------|---------------|
| 4ft | 4' 0" |
| 8ft | 8' 0" |
| 12ft | 12' 0" |

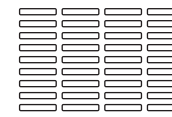
Endcap



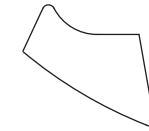
Lower Optics



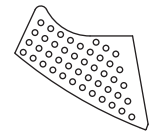
Round Perf Housing



Slot Perf Housing



Solid Baffle



Round Perf Baffle

Upper Optics



D Down Kit



Y Lamp Separator

Specifications

Due to continuing product improvements, Ledalite reserves the right to change specifications without notice.

Housing

Die-formed 20 gauge cold-rolled steel.

Weight

3.0 lb/ft.

Optical System

Direct/Indirect: Constructed of 96% reflective white steel to produce a direct/indirect distribution. Baffles are white blades spaced 2-7/16" apart and are 3/4" deep (18 cells per 4ft section). Perforation of baffles and housing is optional. Perforated housing options include acrylic overlay. Optional field-installable Variable Optics kits provide additional downlight as required.

Semi-Indirect: Constructed of 96% reflective white steel with perforated housing and acrylic overlay to produce a semi-indirect distribution. Perforated housing available in round or slot perforation patterns.

Indirect: Constructed of 96% reflective white steel to produce an indirect distribution.

High performance options use additional highly-specular aluminum reflectors.

Endcaps

Die-cast endcap or optional die-cast sculptured endcap.

Joints

Self-aligning joining system with hands-free pre-joining wire access.

Mounting

Aircraft cable gripper is tamper-resistant and provides infinite vertical adjustment capability. Aircraft cable, crimp and cable gripper independently tested to meet stringent safety requirements.

Electrical

Factory pre-wired to section ends with quick-wire connectors.

Ballast

Electronic.

Approvals

Certified to UL and CSA standards.

Finish

High-quality powder coat. Available in Ledalite Standard White (textured matte finish), and a selection of other factory and customer-specified colors. Consult factory for details.