

Centris®



Suspended
 Direct/Indirect
 4 T5HO - Perf Housing



Project Name

Spec Type

Notes



Order Guide

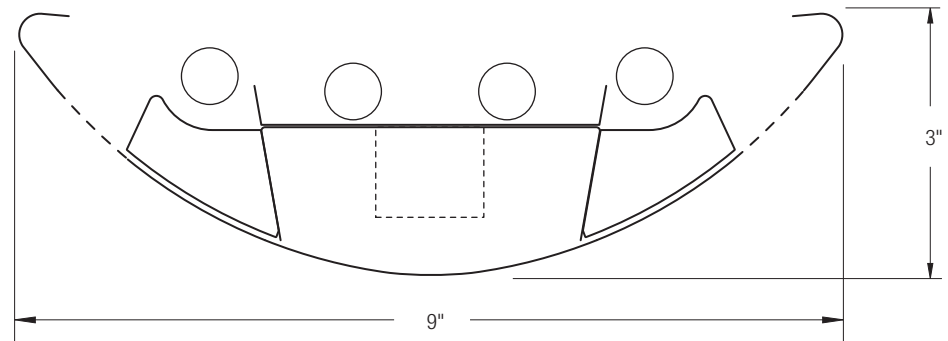
Some combinations of product options may not be available. Consult factory for assistance with your specification.

9506	H04			-		-		-		
Product Series & Type Centris Direct/Indirect	Lamping 4 T5HO	Lower Optics M Round Perf Housing / Solid Baffle T Round Perf Housing / Round Perf Baffle U Slot Perf Housing / Solid Baffle Z Slot Perf Housing / Round Perf Baffle	Upper Optics N None D Down Kit Y Lamp Separator	Run Length <i>Enter the total run length in feet (4ft increments)</i>	Wiring 1 1 cct 2 2 cct 3 1 cct w/ Emergency cct 4 2 cct w/ Emergency cct 5 1 cct w/ Battery Pack 6 2 cct w/ Battery Pack 7 1 cct Dimming	Voltage 1 120V 2 277V 3 347V	Ballast E Standard Ballast Consult website for ballast manufacturer information	Color & Finish W Standard White C Factory Color X Custom Color Consult website for color and finish options		
									Mounting Hardware	
									<input type="text"/>	<input type="text"/>
									Mount Type Consult separate mounting spec sheet for mount type options	Suspension Length <i>Enter distance from ceiling to top of fixture in inches</i>

Upgrades & Accessories

Please indicate with check mark.

<input type="checkbox"/> Lamps Included	<input checked="" type="checkbox"/> Lamps Included and Installed
<input type="checkbox"/> Sculptured Endcap See details on reverse	
<input type="checkbox"/> Response Daylight (Integrated Controls) For details visit www.ledalite.com/response	



Centris®

Suspended
Direct/Indirect
4 T5HO - Perf Housing



Photometry Optics UD Slot Perf Housing / Solid Baffle w/ Down Kit

Report Summary

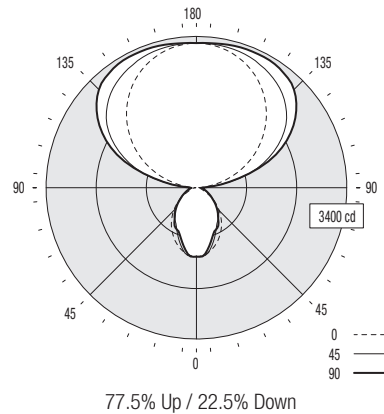
Report # 9900045
Filename 9506H04UD-ZD.ies
Efficiency 81.9%

Peak Candela Value* 3312 @ 160°
Peak to Zenith Ratio* 1 : 1

* Between 90-180° vertical angle

Candela Distribution

Vertical Angle	Horizontal Angle					Zonal Lumens
	0	22.5	45	67.5	90	
0	1548	1548	1548	1548	1548	
5	1532	1541	1548	1550	1551	147
15	1416	1437	1349	1274	1258	378
25	1222	1183	1049	1022	1041	507
35	990	900	861	879	858	556
45	730	652	664	652	651	515
55	460	476	468	448	447	413
65	217	294	290	297	304	285
75	113	142	173	192	198	178
85	41	71	109	132	140	113
90	12	60	98	129	127	
95	166	314	366	379	364	384
105	691	1045	1241	1244	1240	1176
115	1253	1623	1934	2079	2133	1807
125	1773	2076	2471	2666	2729	2110
135	2236	2452	2808	3054	3119	2118
145	2623	2763	3015	3217	3275	1871
155	2924	3000	3151	3270	3311	1448
165	3129	3166	3224	3281	3302	912
175	3235	3242	3253	3260	3262	315
180	3251	3251	3251	3251	3251	



Coefficients of Utilization (%)

Ceiling:	80					70					50					0
	70	50	30	10		70	50	30	10		50	30	10		0	
0 RCR	82	82	82	82	82	72	72	72	72	72	54	54	54	54	16	
1	74	71	68	65	65	63	60	60	47	46	44	44	44	13		
2	68	62	57	53	60	55	51	42	39	37	11					
3	62	54	49	44	54	48	43	37	33	31	10					
4	56	48	42	37	50	43	38	32	29	26	8					
5	52	43	36	32	45	38	33	29	25	22	7					
6	47	38	32	27	42	34	29	26	22	19	6					
7	44	34	28	24	39	31	25	23	20	17	6					
8	40	31	25	21	36	28	22	21	18	15	5					
9	38	28	22	18	33	25	20	19	16	13	5					
10	35	26	20	16	31	23	18	18	14	12	4					

Based on a floor reflectance of 0.2

Avg. Luminance (cd/m²)

Vertical Angle	Horizontal Angle		
	0	45	90
55	3269	2432	2091
65	2093	1803	1647
75	1779	1390	1323
85	1917	1294	1270

IES files for this and other photometric options can be downloaded online at www.ledalite.com

Additional Information

Modules

Module length excludes endcaps.
Nominal mount spacing for individually mounted modules.

Module	Mount Spacing
4ft	4' 0"
8ft	8' 0"
12ft	12' 0"

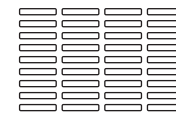
Endcap



Lower Optics



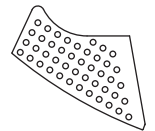
Round Perf Housing



Slot Perf Housing

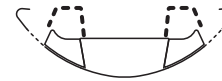


Solid Baffle



Round Perf Baffle

Upper Optics



D Down Kit



Y Lamp Separator

Specifications

Due to continuing product improvements, Ledalite reserves the right to change specifications without notice.

Housing

Die-formed 20 gauge cold-rolled steel.

Weight

3.0 lb/ft.

Optical System

Direct/Indirect: Constructed of 96% reflective white steel to produce a direct/indirect distribution. Baffles are white blades spaced 2-7/16" apart and are 3/4" deep (18 cells per 4ft section). Perforation of baffles and housing is optional. Perforated housing options include acrylic overlay. Optional field-installable Variable Optics kits provide additional downlight as required.

Semi-Indirect: Constructed of 96% reflective white steel with perforated housing and acrylic overlay to produce a semi-indirect distribution. Perforated housing available in round or slot perforation patterns.

Indirect: Constructed of 96% reflective white steel to produce an indirect distribution.

High performance options use additional highly-specular aluminum reflectors.

Endcaps

Die-cast endcap or optional die-cast sculptured endcap.

Joints

Self-aligning joining system with hands-free pre-joining wire access.

Mounting

Aircraft cable gripper is tamper-resistant and provides infinite vertical adjustment capability. Aircraft cable, crimp and cable gripper independently tested to meet stringent safety requirements.

Electrical

Factory pre-wired to section ends with quick-wire connectors.

Ballast

Electronic.

Approvals

Certified to UL and CSA standards.

Finish

High-quality powder coat. Available in Ledalite Standard White (textured matte finish), and a selection of other factory and customer-specified colors. Consult factory for details.