

# Centris®



Suspended  
 Direct/Indirect  
 4 T5HO - Perf Housing



Project Name

Spec Type

Notes



## Order Guide

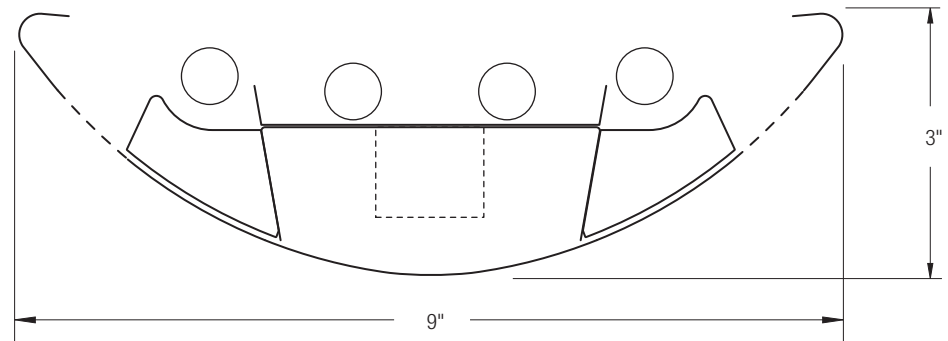
Some combinations of product options may not be available. Consult factory for assistance with your specification.

|  |                   |  |   |  |  |  |  |  |   |   |                      |
|--|-------------------|--|---|--|--|--|--|--|---|---|----------------------|
| <b>9506</b>                                      | <b>H04</b>        | <input type="text"/>   | <input type="text"/>  | -  | <input type="text"/>   | -  | <input type="text"/>   | -  | <input type="text"/>  | - | <input type="text"/> |
| Product Series & Type<br>Centris Direct/Indirect | Lamping<br>4 T5HO | Lower Optics<br><b>M</b> Round Perf Housing / Solid Baffle<br><b>T</b> Round Perf Housing / Round Perf Baffle<br><b>U</b> Slot Perf Housing / Solid Baffle<br><b>Z</b> Slot Perf Housing / Round Perf Baffle<br><br>See details on reverse | Upper Optics<br><b>N</b> None<br><b>D</b> Down Kit<br><b>Y</b> Lamp Separator<br><br>See details on reverse | Run Length<br><i>Enter the total run length in feet (4ft increments)</i><br><br>See details on reverse | Wiring<br><b>1</b> 1 cct<br><b>2</b> 2 cct<br><b>3</b> 1 cct w/ Emergency cct<br><b>4</b> 2 cct w/ Emergency cct<br><b>5</b> 1 cct w/ Battery Pack<br><b>6</b> 2 cct w/ Battery Pack<br><b>7</b> 1 cct Dimming<br><br>Consult website for complete list of standard wiring options | Voltage<br><b>1</b> 120V<br><b>2</b> 277V<br><b>3</b> 347V | Ballast<br><b>E</b> Standard Ballast<br><br>Consult website for ballast manufacturer information | Color & Finish<br><b>W</b> Standard White<br><b>C</b> Factory Color<br><b>X</b> Custom Color<br><br>Consult website for color and finish options | <b>Mounting Hardware</b><br><input type="text"/> <input type="text"/><br><b>Mount Type</b> <input type="text"/> <b>Suspension Length</b><br>Consult separate mounting spec sheet for mount type options<br><i>Enter distance from ceiling to top of fixture in inches</i> |   |                      |

## Upgrades & Accessories

Please indicate with check mark.

|  |  |
|--|--|
| <input type="checkbox"/> Lamps Included  | <input checked="" type="checkbox"/> Lamps Included and Installed |
| <input type="checkbox"/> Sculptured Endcap<br>See details on reverse   |  |
| <input type="checkbox"/> Response Daylight (Integrated Controls)<br>For details visit <a href="http://www.ledalite.com/response">www.ledalite.com/response</a> |  |



# Centris®

Suspended  
Direct/Indirect  
4 T5HO - Perf Housing



## Photometry Optics TD Round Perf Housing / Round Perf Baffle w/ Down Kit

### Report Summary

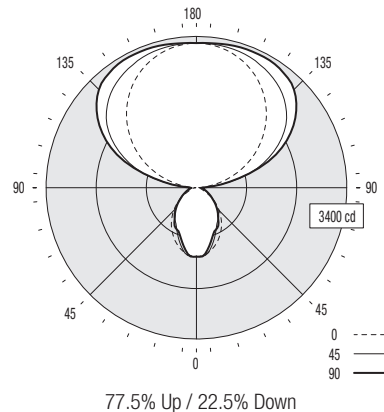
Report # 9900045  
Filename 9506H04MD-TD.ies  
Efficiency 81.9%

Peak Candela Value\* 3312 @ 160°  
Peak to Zenith Ratio\* 1 : 1

\* Between 90-180° vertical angle

### Candela Distribution

| Vertical Angle | Horizontal Angle |      |      |      |      | Zonal Lumens |
|----------------|------------------|------|------|------|------|--------------|
|                | 0                | 22.5 | 45   | 67.5 | 90   |              |
| 0              | 1548             | 1548 | 1548 | 1548 | 1548 |              |
| 5              | 1532             | 1541 | 1548 | 1550 | 1551 | 147          |
| 15             | 1416             | 1437 | 1349 | 1274 | 1258 | 378          |
| 25             | 1222             | 1183 | 1049 | 1022 | 1041 | 507          |
| 35             | 990              | 900  | 861  | 879  | 858  | 556          |
| 45             | 730              | 652  | 664  | 652  | 651  | 515          |
| 55             | 460              | 476  | 468  | 448  | 447  | 413          |
| 65             | 217              | 294  | 290  | 297  | 304  | 285          |
| 75             | 113              | 142  | 173  | 192  | 198  | 178          |
| 85             | 41               | 71   | 109  | 132  | 140  | 113          |
| 90             | 12               | 60   | 98   | 129  | 127  |              |
| 95             | 166              | 314  | 366  | 379  | 364  | 384          |
| 105            | 691              | 1045 | 1241 | 1244 | 1240 | 1176         |
| 115            | 1253             | 1623 | 1934 | 2079 | 2133 | 1807         |
| 125            | 1773             | 2076 | 2471 | 2666 | 2729 | 2110         |
| 135            | 2236             | 2452 | 2808 | 3054 | 3119 | 2118         |
| 145            | 2623             | 2763 | 3015 | 3217 | 3275 | 1871         |
| 155            | 2924             | 3000 | 3151 | 3270 | 3311 | 1448         |
| 165            | 3129             | 3166 | 3224 | 3281 | 3302 | 912          |
| 175            | 3235             | 3242 | 3253 | 3260 | 3262 | 315          |
| 180            | 3251             | 3251 | 3251 | 3251 | 3251 |              |



### Coefficients of Utilization (%)

| Ceiling: | 80 |    |    |    |    | 70 |    |    |    |    | 50 |    |    |    |   | 0 |
|----------|----|----|----|----|----|----|----|----|----|----|----|----|----|----|---|---|
|          | 70 | 50 | 30 | 10 | 0  | 70 | 50 | 30 | 10 | 0  | 70 | 50 | 30 | 10 | 0 |   |
| 0 RCR    | 82 | 82 | 82 | 82 | 82 | 72 | 72 | 72 | 54 | 54 | 54 | 54 | 54 | 16 |   |   |
| 1        | 74 | 71 | 68 | 65 | 65 | 63 | 60 | 47 | 46 | 44 | 13 |    |    |    |   |   |
| 2        | 68 | 62 | 57 | 53 | 60 | 55 | 51 | 42 | 39 | 37 | 11 |    |    |    |   |   |
| 3        | 62 | 54 | 49 | 44 | 54 | 48 | 43 | 37 | 33 | 31 | 10 |    |    |    |   |   |
| 4        | 56 | 48 | 42 | 37 | 50 | 43 | 38 | 32 | 29 | 26 | 8  |    |    |    |   |   |
| 5        | 52 | 43 | 36 | 32 | 45 | 38 | 33 | 29 | 25 | 22 | 7  |    |    |    |   |   |
| 6        | 47 | 38 | 32 | 27 | 42 | 34 | 29 | 26 | 22 | 19 | 6  |    |    |    |   |   |
| 7        | 44 | 34 | 28 | 24 | 39 | 31 | 25 | 23 | 20 | 17 | 6  |    |    |    |   |   |
| 8        | 40 | 31 | 25 | 21 | 36 | 28 | 22 | 21 | 18 | 15 | 5  |    |    |    |   |   |
| 9        | 38 | 28 | 22 | 18 | 33 | 25 | 20 | 19 | 16 | 13 | 5  |    |    |    |   |   |
| 10       | 35 | 26 | 20 | 16 | 31 | 23 | 18 | 18 | 14 | 12 | 4  |    |    |    |   |   |

Based on a floor reflectance of 0.2

### Avg. Luminance (cd/m<sup>2</sup>)

| Vertical Angle | Horizontal Angle |      |      |
|----------------|------------------|------|------|
|                | 0                | 45   | 90   |
| 55             | 3269             | 2432 | 2091 |
| 65             | 2093             | 1803 | 1647 |
| 75             | 1779             | 1390 | 1323 |
| 85             | 1917             | 1294 | 1270 |

IES files for this and other photometric options can be downloaded online at [www.ledalite.com](http://www.ledalite.com)

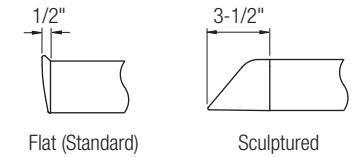
## Additional Information

### Modules

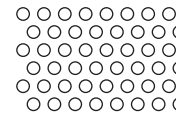
Module length excludes endcaps.  
Nominal mount spacing for individually mounted modules.

| Module | Mount Spacing |
|--------|---------------|
| 4ft    | 4' 0"         |
| 8ft    | 8' 0"         |
| 12ft   | 12' 0"        |

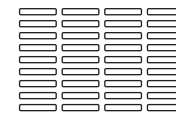
### Endcap



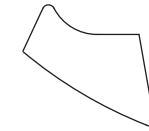
### Lower Optics



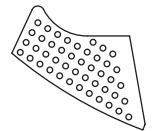
Round Perf Housing



Slot Perf Housing



Solid Baffle

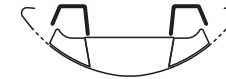


Round Perf Baffle

### Upper Optics



D Down Kit



Y Lamp Separator

## Specifications

Due to continuing product improvements, Ledalite reserves the right to change specifications without notice.

### Housing

Die-formed 20 gauge cold-rolled steel.

### Weight

3.0 lb/ft.

### Optical System

Direct/Indirect: Constructed of 96% reflective white steel to produce a direct/indirect distribution. Baffles are white blades spaced 2-7/16" apart and are 3/4" deep (18 cells per 4ft section). Perforation of baffles and housing is optional. Perforated housing options include acrylic overlay. Optional field-installable Variable Optics kits provide additional downlight as required.

Semi-Indirect: Constructed of 96% reflective white steel with perforated housing and acrylic overlay to produce a semi-indirect distribution. Perforated housing available in round or slot perforation patterns.

Indirect: Constructed of 96% reflective white steel to produce an indirect distribution.

High performance options use additional highly-specular aluminum reflectors.

### Endcaps

Die-cast endcap or optional die-cast sculptured endcap.

### Joints

Self-aligning joining system with hands-free pre-joining wire access.

### Mounting

Aircraft cable gripper is tamper-resistant and provides infinite vertical adjustment capability. Aircraft cable, crimp and cable gripper independently tested to meet stringent safety requirements.

### Electrical

Factory pre-wired to section ends with quick-wire connectors.

### Ballast

Electronic.

### Approvals

Certified to UL and CSA standards.

### Finish

High-quality powder coat. Available in Ledalite Standard White (textured matte finish), and a selection of other factory and customer-specified colors. Consult factory for details.