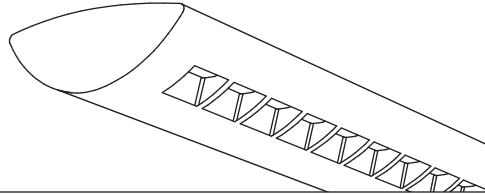


Suspended
 Direct/Indirect
 4 T5HO - Solid Housing



Project Name

Spec Type

Notes



Order Guide

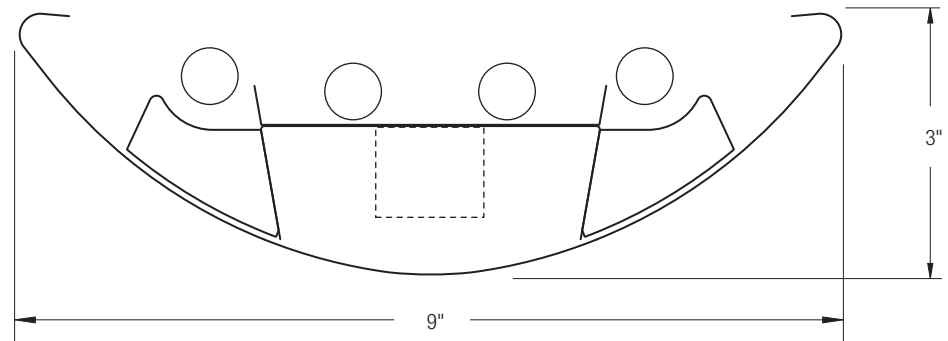
Some combinations of product options may not be available. Consult factory for assistance with your specification.

9506	H04	<input type="text"/>	<input type="text"/>	-	<input type="text"/>	-	<input type="text"/>	-	<input type="text"/>	<input type="text"/>
Product Series & Type Centris Direct/Indirect	Lamping 4 T5HO	Lower Optics C Solid Baffle R Round Perf Baffle	Upper Optics N None D Down Kit Y Lamp Separator	Run Length <i>Enter the total run length in feet (4ft increments)</i>	Wiring 1 1 cct 2 2 cct 3 1 cct w/ Emergency cct 4 2 cct w/ Emergency cct 5 1 cct w/ Battery Pack 6 2 cct w/ Battery Pack 7 1 cct Dimming	Voltage 1 120V 2 277V 3 347V	Ballast E Standard Ballast Consult website for ballast manufacturer information	Color & Finish W Standard White C Factory Color X Custom Color Consult website for color and finish options		
Mounting Hardware										
					<input type="text"/>		<input type="text"/>			
					Mount Type Consult separate mounting spec sheet for mount type options		Suspension Length <i>Enter distance from ceiling to top of fixture in inches</i>			
		See details on reverse		See details on reverse		See details on reverse		Consult website for complete list of standard wiring options		

Upgrades & Accessories

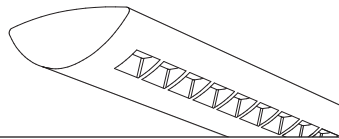
Please indicate with check mark.

<input type="checkbox"/> Lamps Included	<input checked="" type="checkbox"/> Lamps Included and Installed
<input type="checkbox"/> Sculptured Endcap See details on reverse	
<input type="checkbox"/> Response Daylight (Integrated Controls) For details visit www.ledalite.com/response	



Centris®

Suspended
Direct/Indirect
4 T5HO - Solid Housing



Photometry Optics RY Round Perf Baffle w/ Lamp Separator

Report Summary

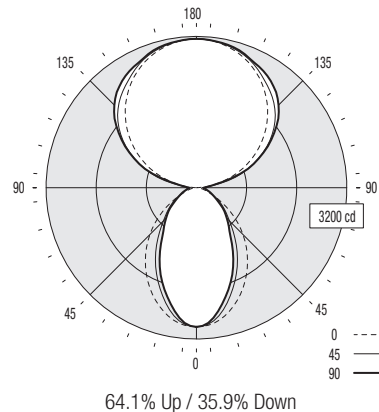
Report # 2101760
Filename 9506H04CY-RY.ies
Efficiency 70.3%

Peak Candela Value* 3150 @ 180°
Peak to Zenith Ratio* 1 : 1

* Between 90-180° vertical angle

Candela Distribution

Vertical Angle	Horizontal Angle					Zonal Lumens
	0	22.5	45	67.5	90	
0	2944	2944	2944	2944	2944	274
5	2920	2912	2899	2861	2873	708
15	2706	2636	2524	2400	2390	932
25	2343	2164	2010	1861	1846	940
35	1896	1664	1480	1289	1266	818
45	1401	1177	994	904	914	624
55	878	736	680	614	622	405
65	408	424	409	376	397	244
75	173	196	244	246	260	148
85	46	100	157	169	179	1652
90	5	81	129	149	151	1326
95	140	219	231	227	249	862
105	654	826	863	734	763	304
115	1198	1375	1449	1416	1462	23
125	1696	1810	1967	1995	2020	20
135	2141	2202	2359	2442	2471	17
145	2519	2560	2635	2728	2757	15
155	2815	2836	2884	2900	2918	13
165	3022	3030	3051	3068	3074	11
175	3133	3135	3139	3137	3137	10
180	3150	3150	3150	3150	3150	9



Coefficients of Utilization (%)

Ceiling:	80				70				50				0					
	70	50	30	10	70	50	30	10	50	30	10	0	70	50	30	10	0	
0 RCR	72	72	72	72	65	65	65	52	52	52	23	55	55	55	45	44	43	20
1	66	63	60	58	59	57	55	45	44	43	20	65	63	60	54	50	47	17
2	60	55	51	48	54	50	47	40	38	36	17	75	72	68	60	56	47	15
3	55	49	44	40	50	44	40	36	33	30	15	85	81	77	68	64	54	13
4	50	43	38	34	45	39	35	32	29	26	13							
5	46	39	33	29	42	35	30	29	25	22	11							
6	43	35	29	25	38	32	27	26	22	20	10							
7	40	31	26	22	36	29	24	23	20	17	9							
8	37	28	23	20	33	26	21	21	18	15	8							
9	34	26	21	18	31	24	19	20	16	14	7							
10	32	24	19	16	29	22	18	18	15	12	7							

Based on a floor reflectance of 0.2

Avg. Luminance (cd/m²)

Vertical Angle	Horizontal Angle		
	0	45	90
55	6239	3534	2909
65	3935	2542	2151
75	2724	1961	1737
85	2151	1864	1623

IES files for this and other photometric options can be downloaded online at www.ledalite.com

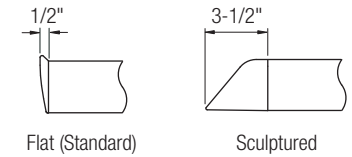
Additional Information

Modules

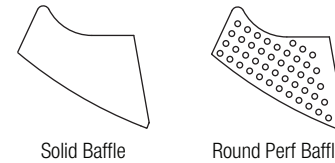
Module length excludes endcaps.
Nominal mount spacing for individually mounted modules.

Module	Mount Spacing
4ft	4' 0"
8ft	8' 0"
12ft	12' 0"

Endcap



Lower Optics



Upper Optics



Specifications

Due to continuing product improvements, Ledalite reserves the right to change specifications without notice.

Housing

Die-formed 20 gauge cold-rolled steel.

Weight

3.0 lb/ft.

Optical System

Direct/Indirect: Constructed of 96% reflective white steel to produce a direct/indirect distribution. Baffles are white blades spaced 2-7/16" apart and are 3/4" deep (18 cells per 4ft section). Perforation of baffles and housing is optional. Perforated housing options include acrylic overlay. Optional field-installable Variable Optics kits provide additional downlight as required.

Semi-Indirect: Constructed of 96% reflective white steel with perforated housing and acrylic overlay to produce a semi-indirect distribution. Perforated housing available in round or slot perforation patterns.

Indirect: Constructed of 96% reflective white steel to produce an indirect distribution.

High performance options use additional highly-specular aluminum reflectors.

Endcaps

Die-cast endcap or optional die-cast sculptured endcap.

Joints

Self-aligning joining system with hands-free pre-joining wire access.

Mounting

Aircraft cable gripper is tamper-resistant and provides infinite vertical adjustment capability. Aircraft cable, crimp and cable gripper independently tested to meet stringent safety requirements.

Electrical

Factory pre-wired to section ends with quick-wire connectors.

Ballast

Electronic.

Approvals

Certified to UL and CSA standards.

Finish

High-quality powder coat. Available in Ledalite Standard White (textured matte finish), and a selection of other factory and customer-specified colors. Consult factory for details.